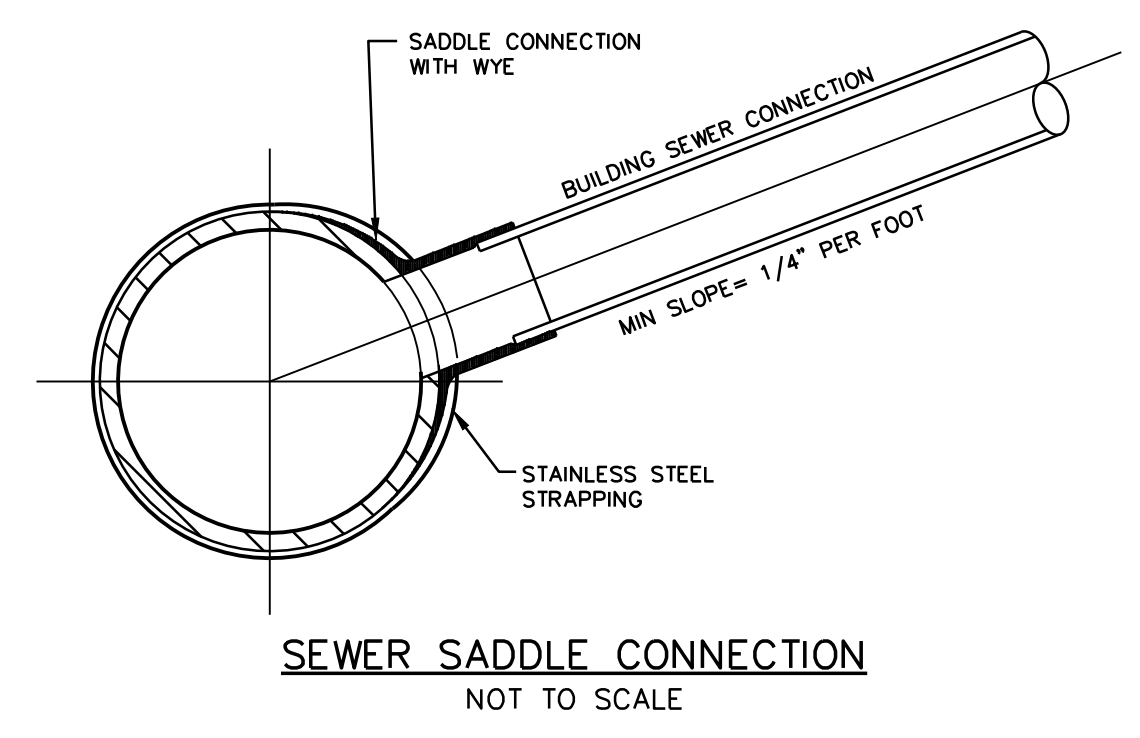
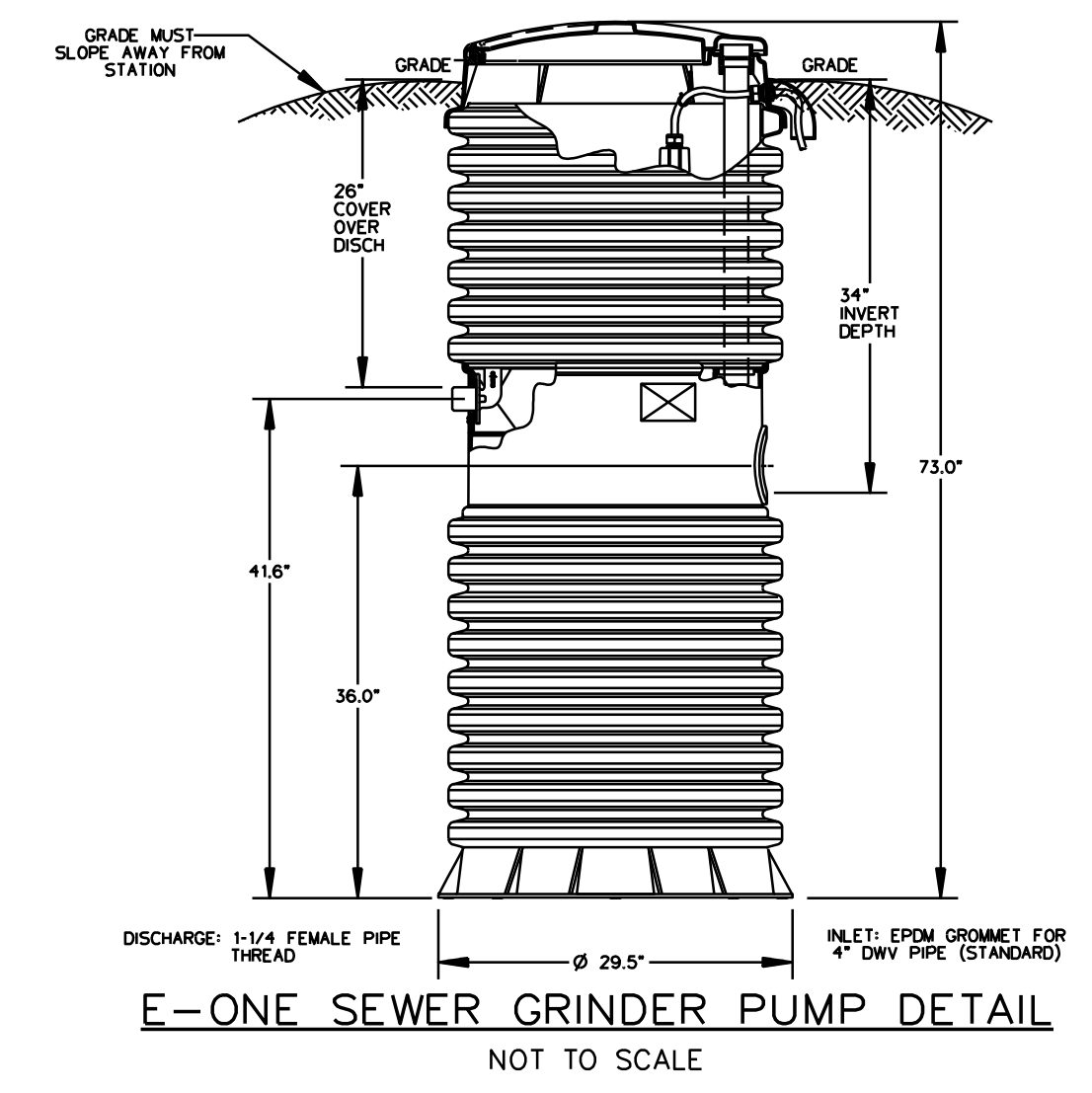


PROPOSED SEWER PROFILE
SCALE: 1"=10' (HORIZONTAL)
SCALE: 1"=4' (VERTICAL)

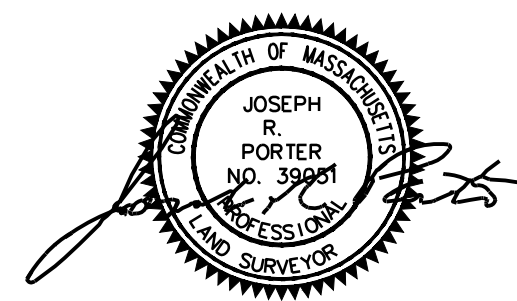
- NOTES:
1. FULL PVC OR IRON SADDLE MAY BE USED TO CONNECT TO EXISTING PVC, CLAY, CONCRETE OR IRON PIPE.
 2. SADDLES MUST HAVE RUBBER GASKETS AND SHALL BE TIGHTENED WITH STRAPS. SADDLES WILL NOT BE CEMENTED ON TO PIPE.
 3. FULL WYE CONNECTION FITTINGS MAY BE USED.
 4. PIPE SHALL BE CUT TO CONFORM TO THE OPENING IN THE SADDLE.
 5. CONNECTIONS DIRECTLY INTO THE EXISTING PIPE WITHOUT A SADDLE OR A FULL WYE FITTING ARE NOT ALLOWED.



SEWER SADDLE CONNECTION
NOT TO SCALE



E-ONE SEWER GRINDER PUMP DETAIL
NOT TO SCALE



DETAILS
NEWTON, MASSACHUSETTS
SHOWING PROPOSED CONDITIONS AT
#280 NEVADA STREET
SCALE: 1in.=20ft. DATE: APRIL 25, 2023

PROJECT: 222183

VTP
ASSOCIATES
INC.

LAND SURVEYORS - CIVIL ENGINEERS.
132 ADAMS STREET 2ND FLOOR SUITE 3
NEWTON, MA 02458
(617) 332-8271