

# COMMUNITY COMMONS AT ALBEMARLE PLAYGROUND ALBEMARLE ROAD NEWTON, MASSACHUSETTS 02460

## LIST OF DRAWINGS

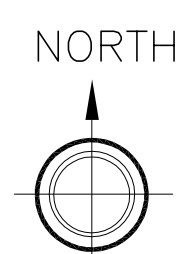
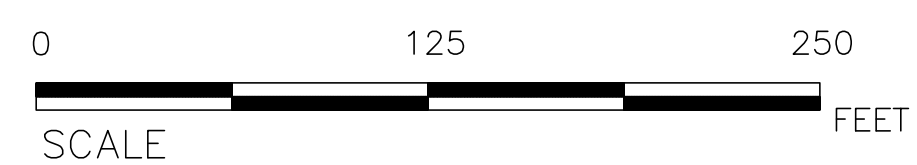
PLAN NO.	SHEET NO.	DESCRIPTION
<u>GENERAL</u>		
T1	01 OF 03	TITLE SHEET
<u>LANDSCAPE</u>		
L1	02 OF 03	SITE PLAN
L2	03 OF 03	SITE DETAILS



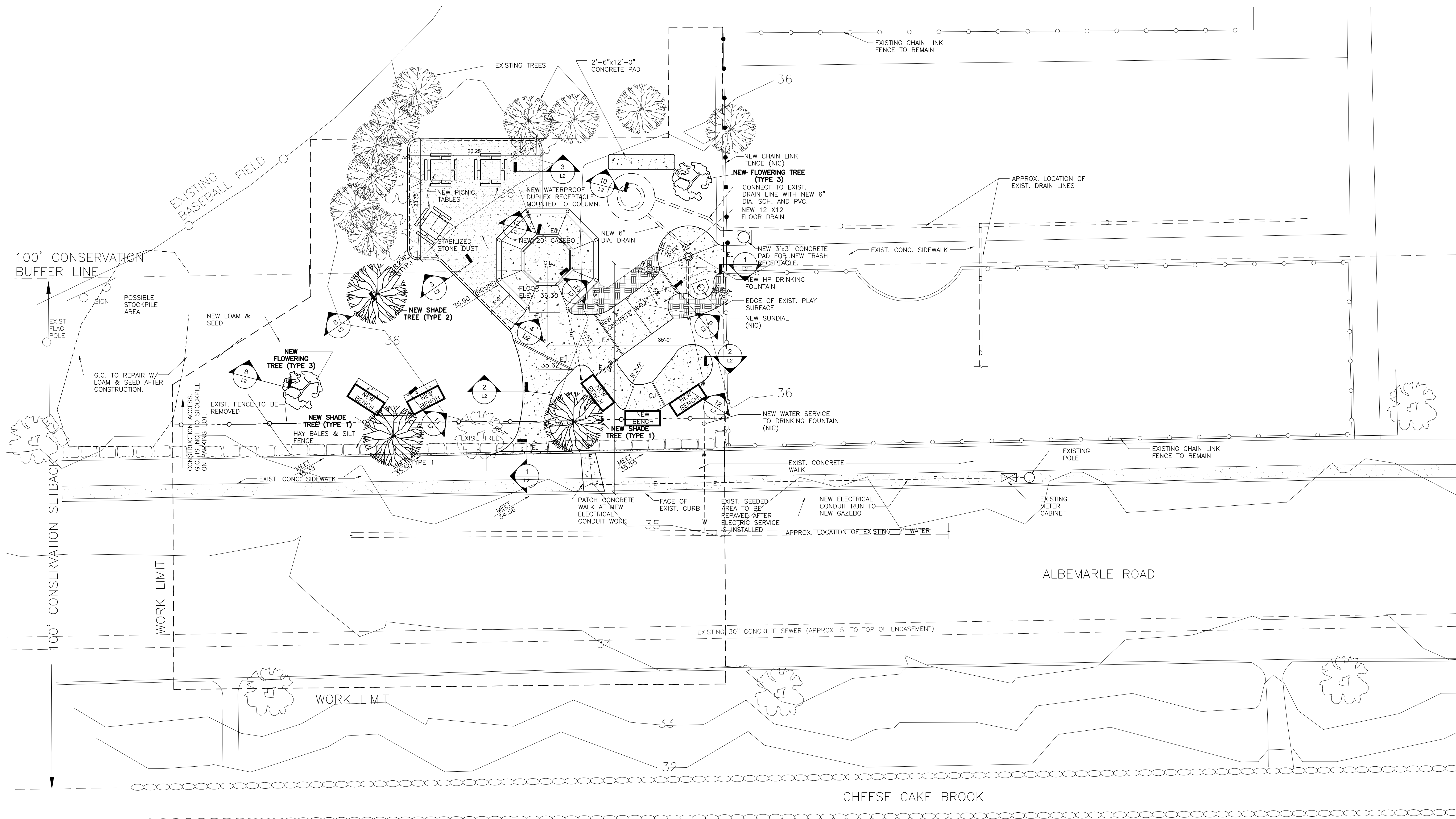
PROPOSED LOCATION OF  
COMMUNITY CLASSROOM

KBA Architects  
KNIGHT, BAGGE & ANDERSON, INC.  
ARCHITECTS

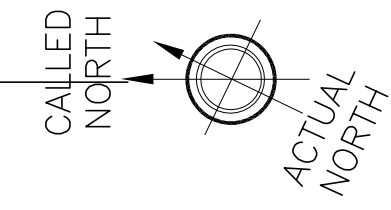
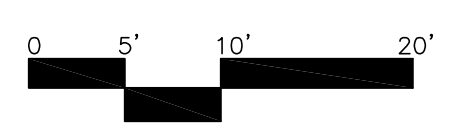
### LOCATION PLAN



JOB NO. S102903-A
DATE 11/10/04
PLAN NO. T1.0



**SITE PLAN**  
SCALE: 1" = 10'-0"



**LEGEND**

- EXISTING CHAIN LINK FENCE TO BE REMOVED
- EXISTING CHAIN LINK FENCE TO REMAIN
- NEW CHAIN LINK FENCE (NIC)
- NEW CONCRETE WALKWAY
- TOOLED JOINT IN NEW CONCRETE WALKWAY
- EXPANSION JOINT IN NEW CONCRETE WALKWAY
- LANDSCAPE EDGING
- NEW BURIED ELECTRICAL CONDUIT
- NEW WATER LINE (NIC)
- SCHEDULE 40 PVC DRAIN LINE
- NEW TRENCH ALL EXISTING SURFACES TO BE PATCHED

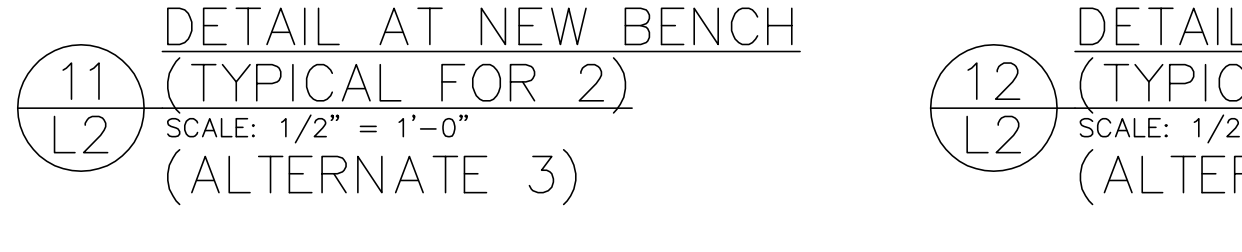
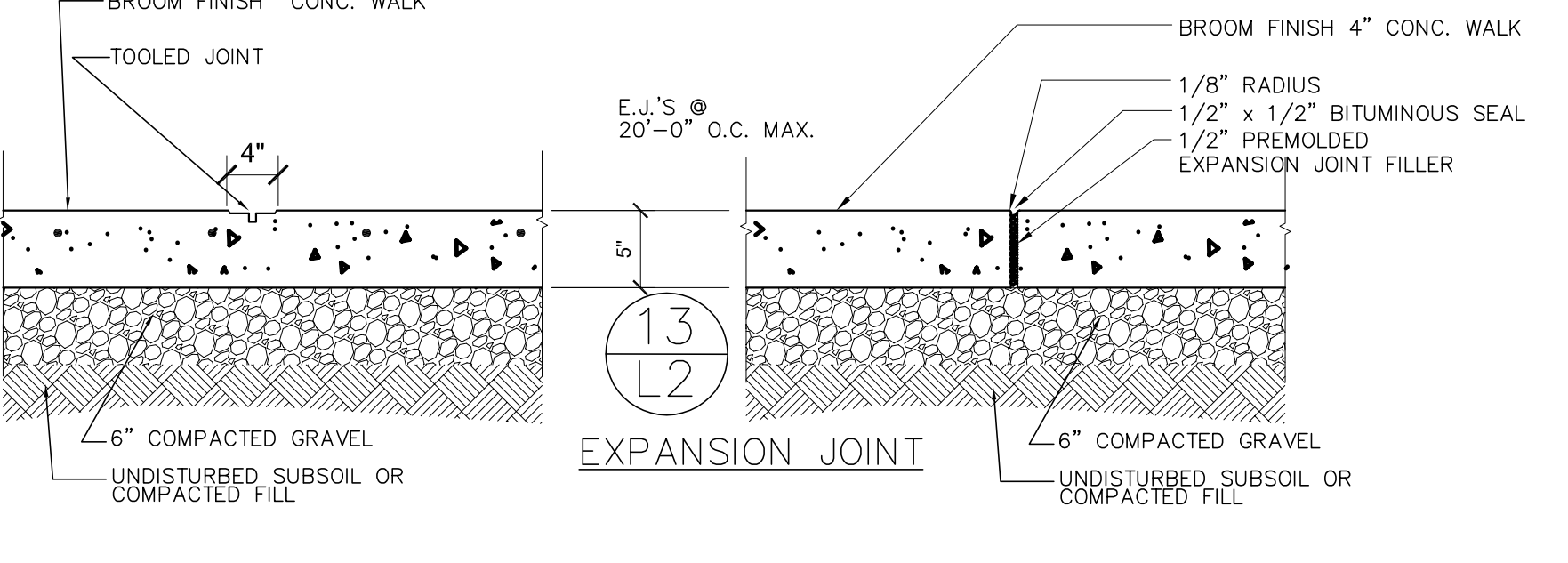
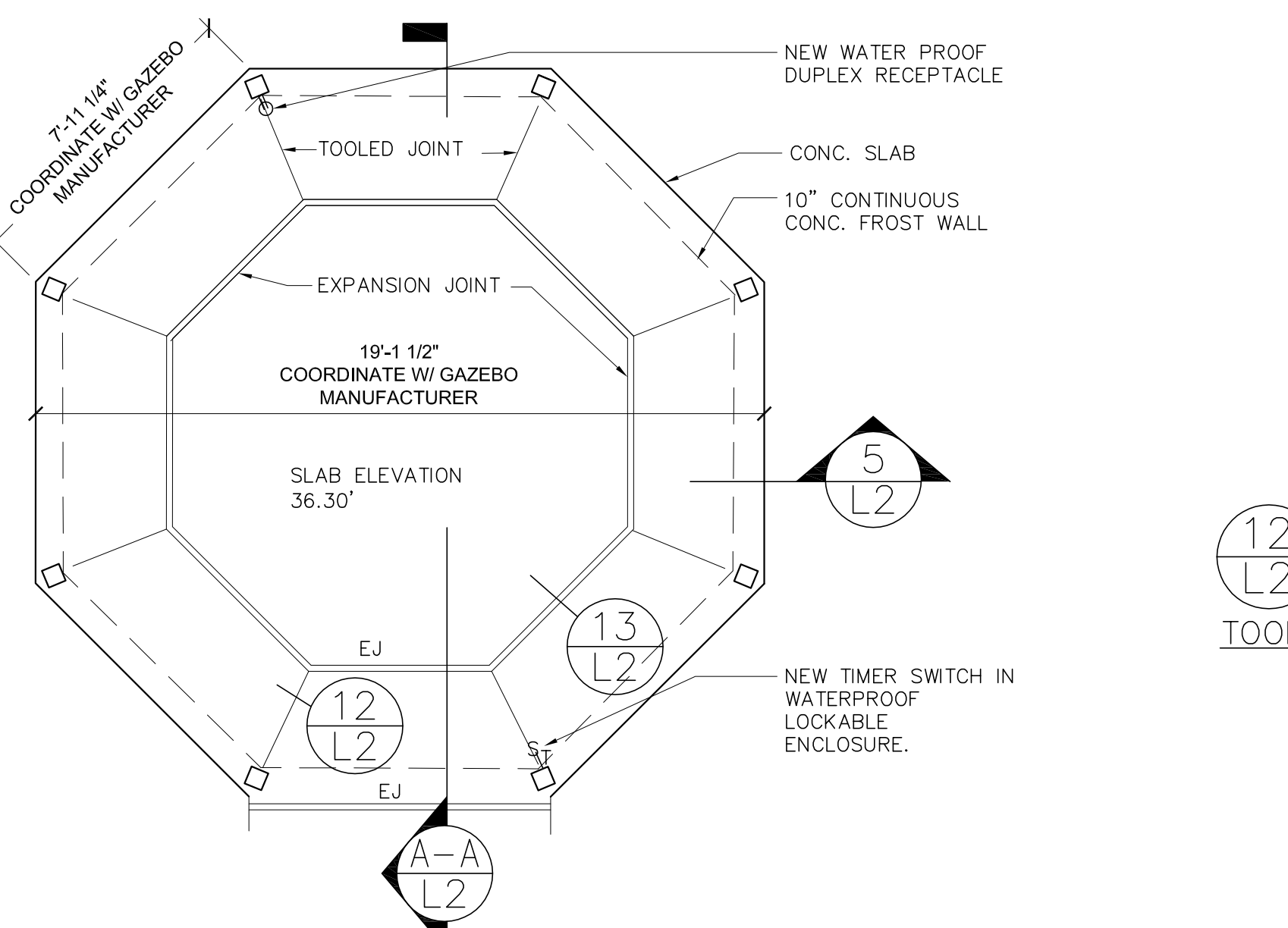
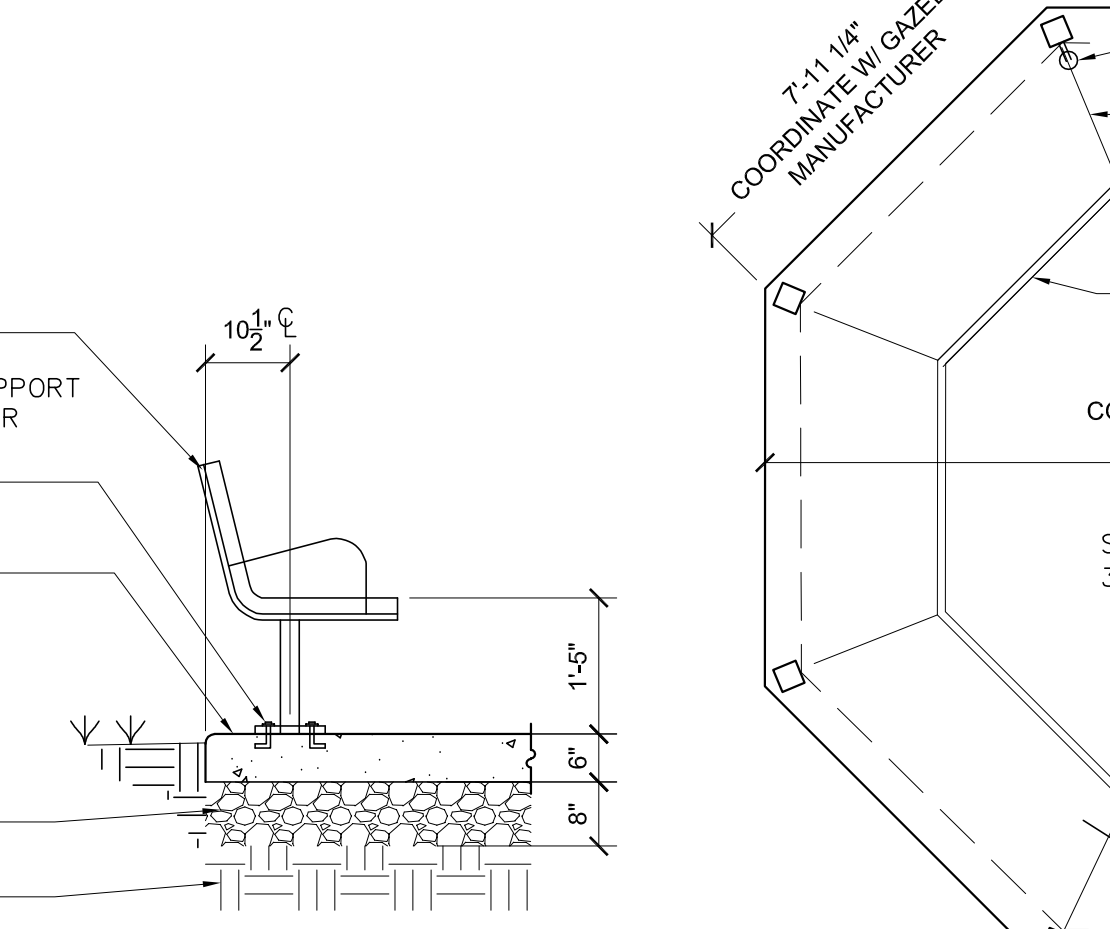
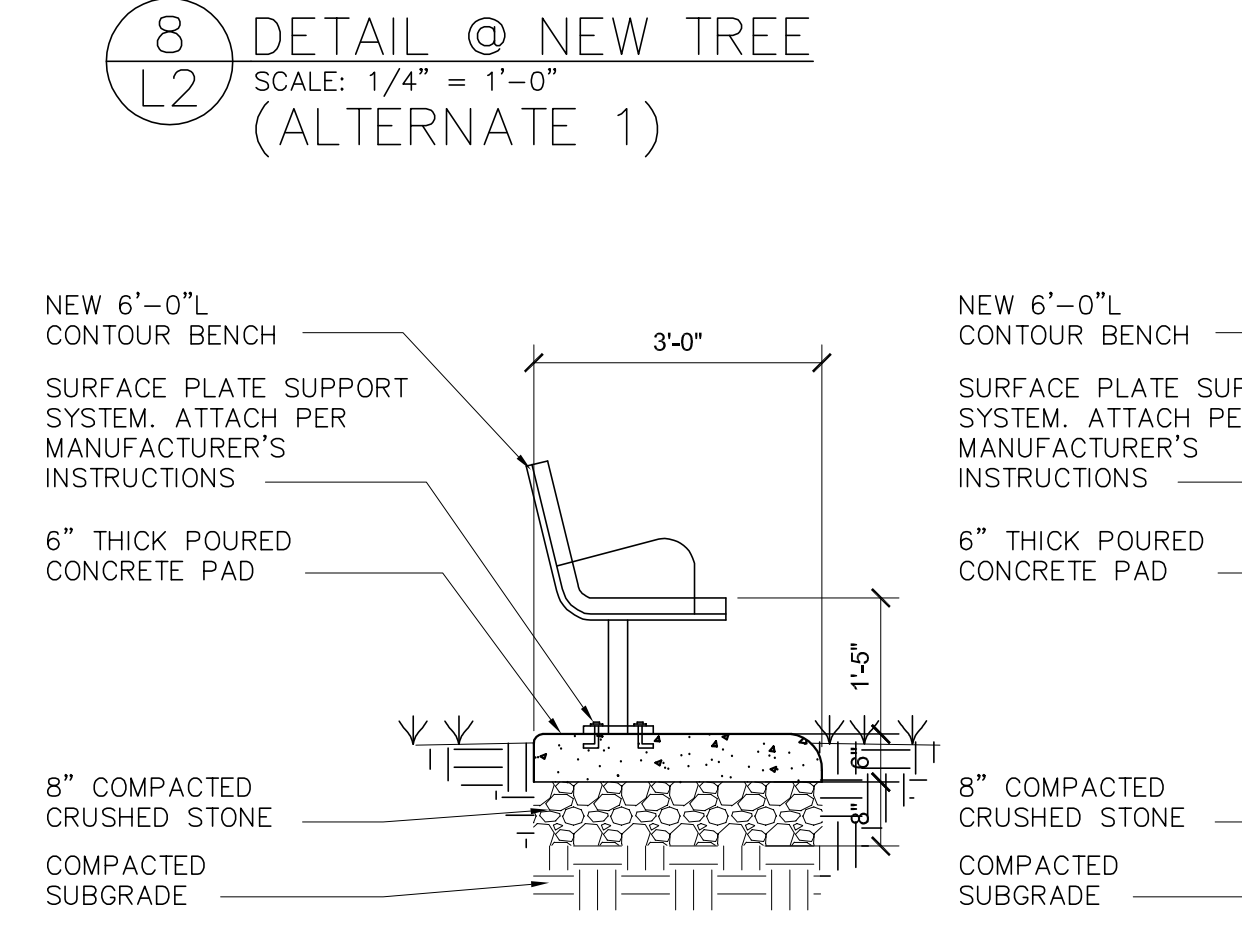
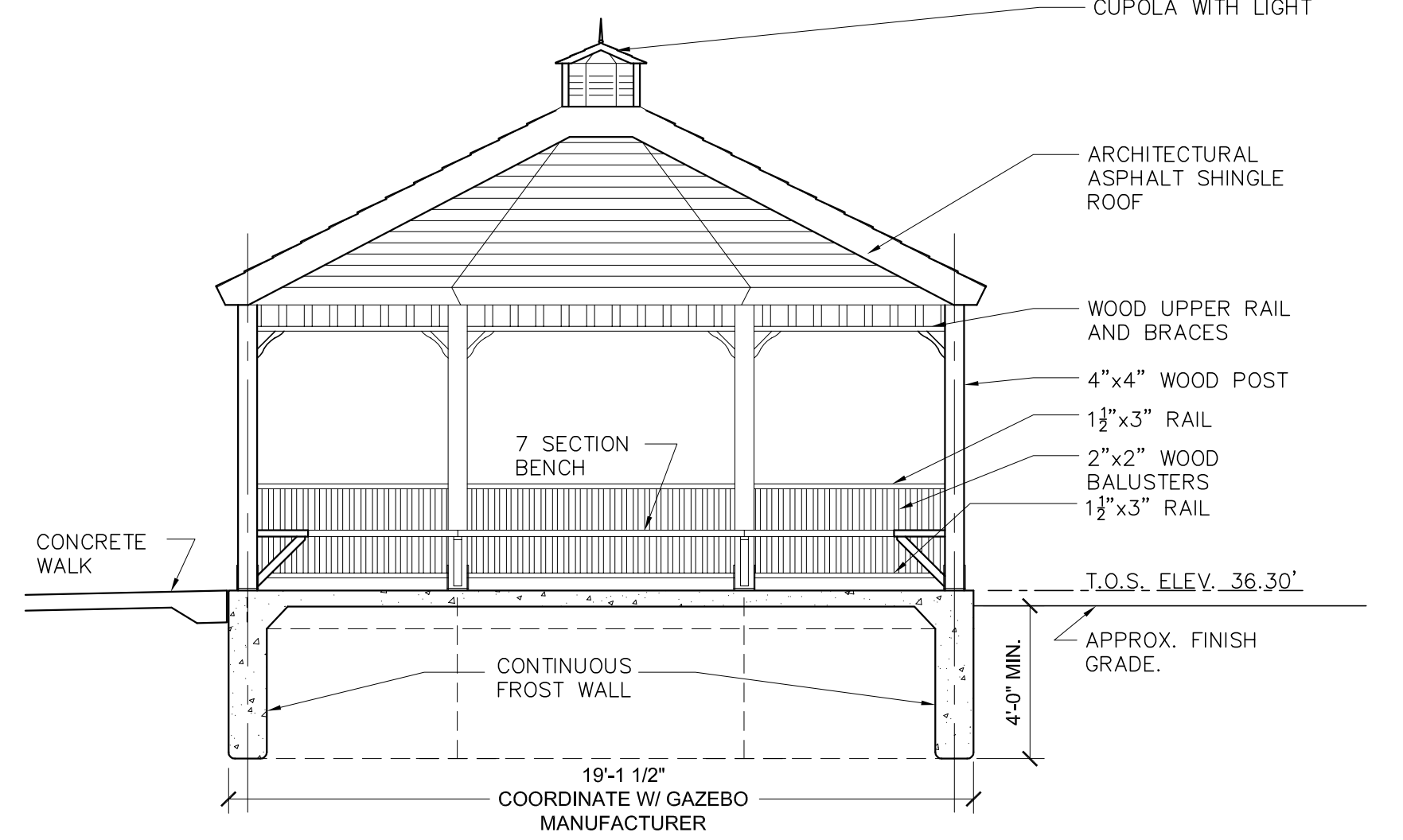
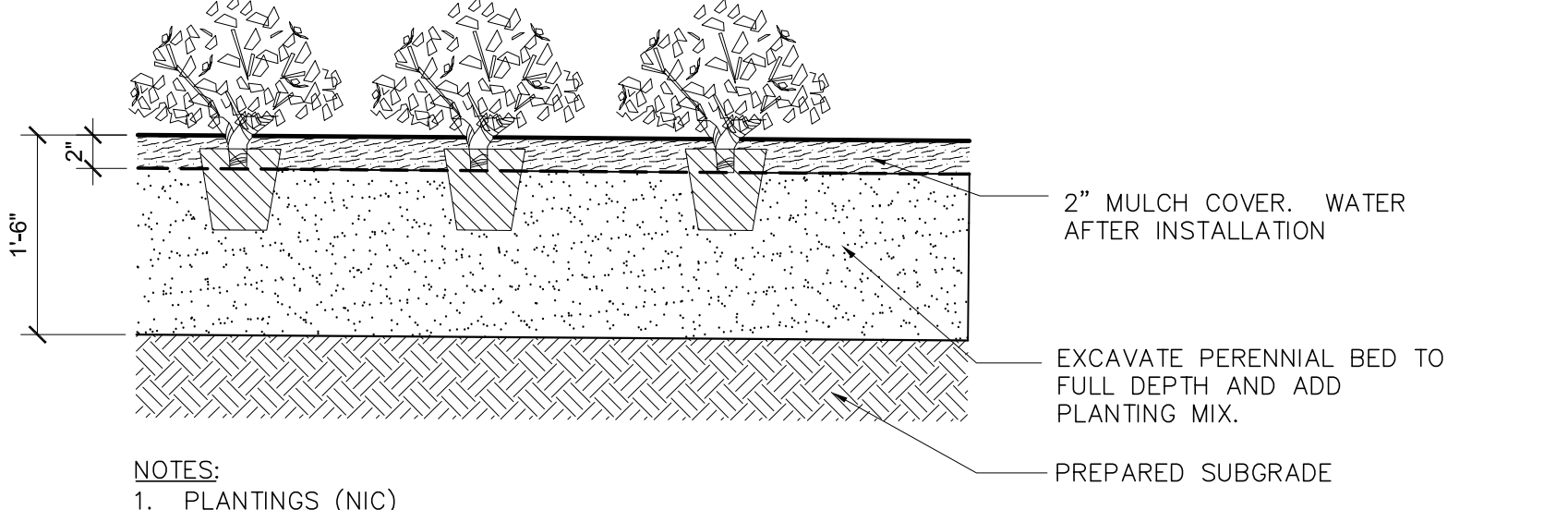
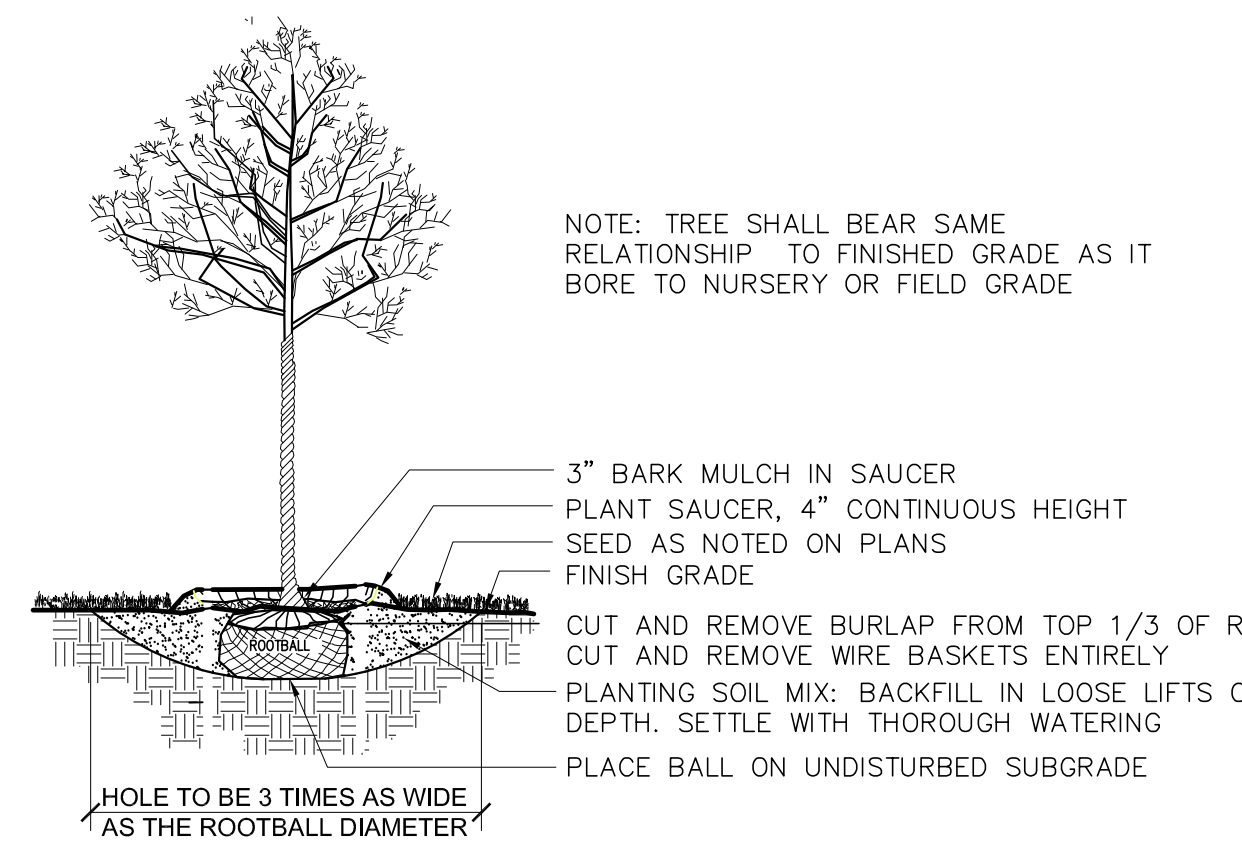
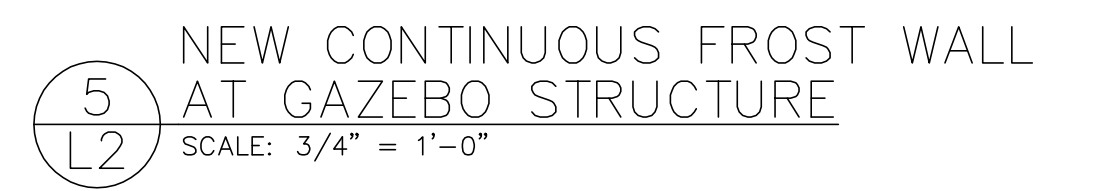
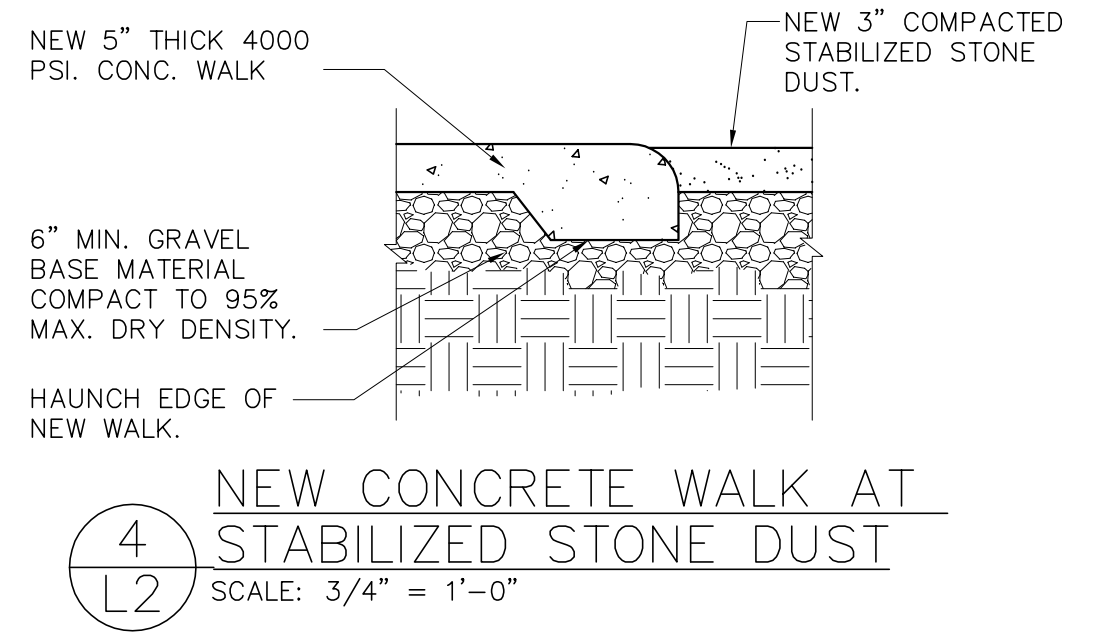
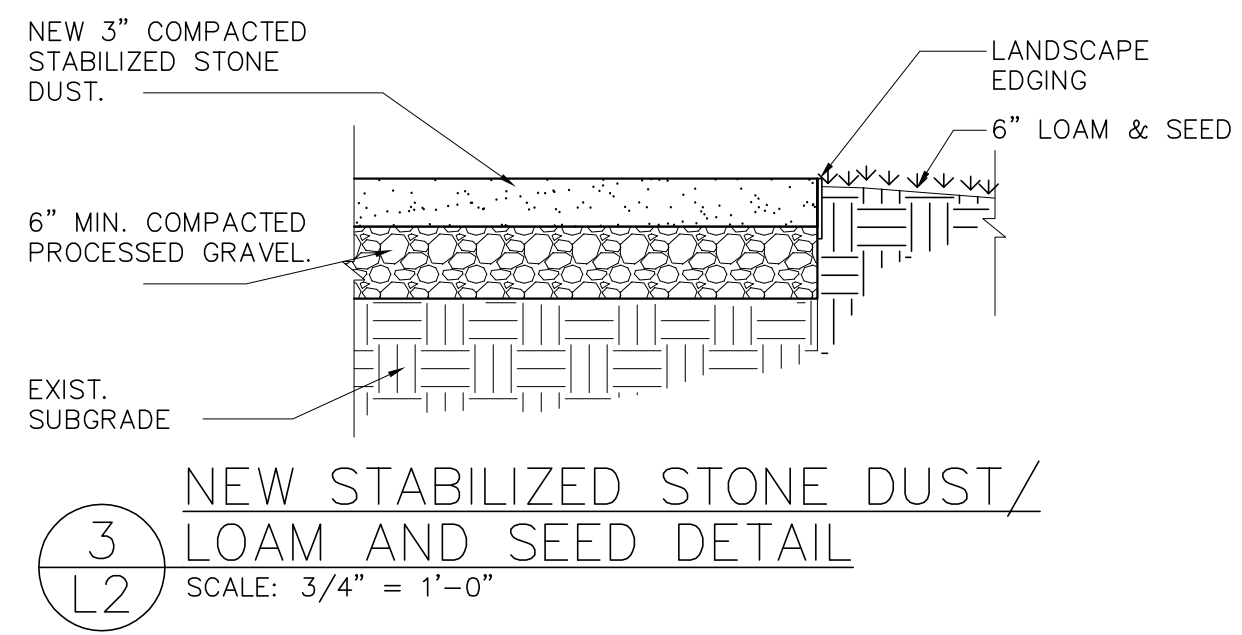
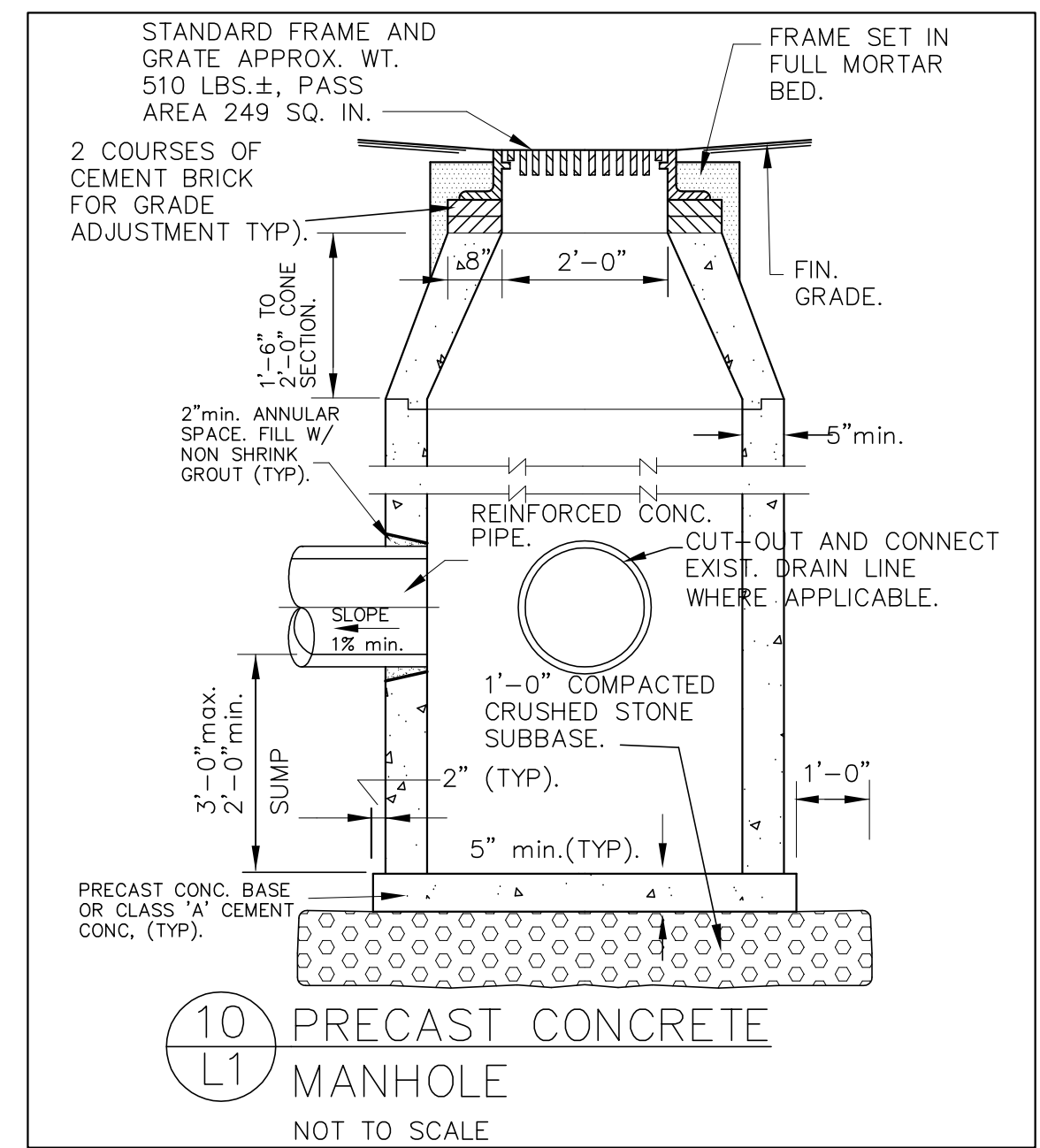
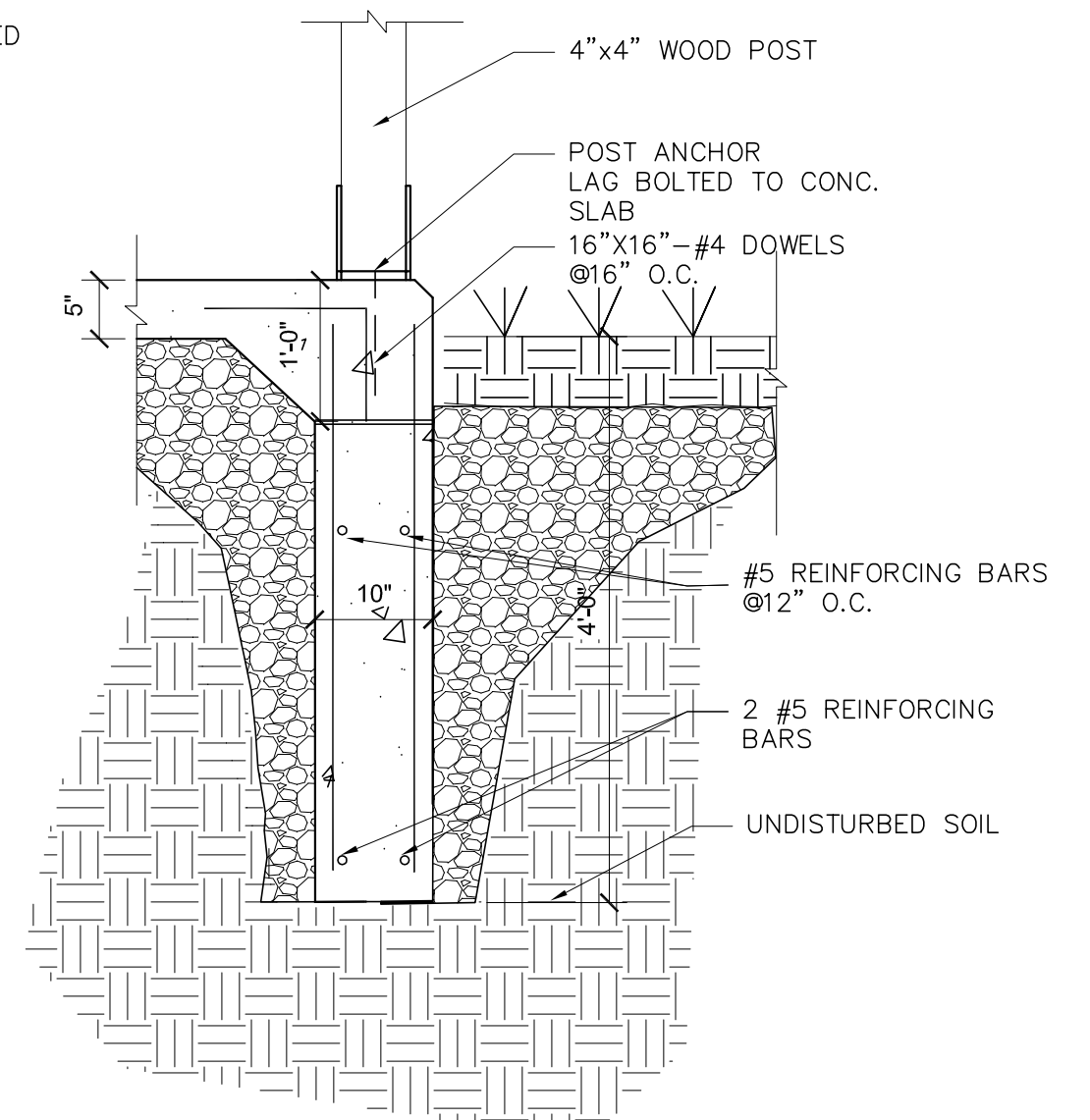
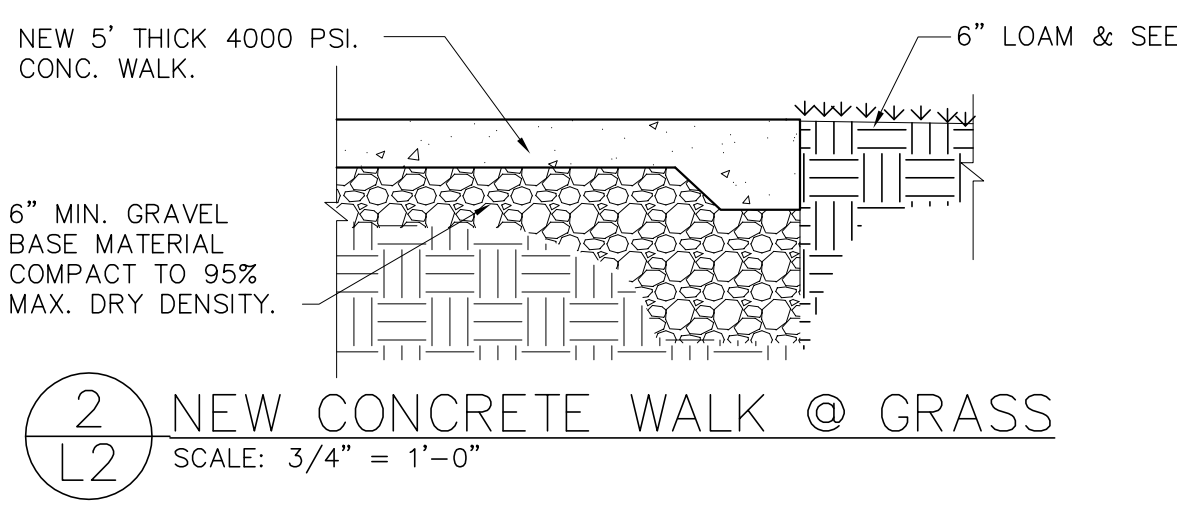
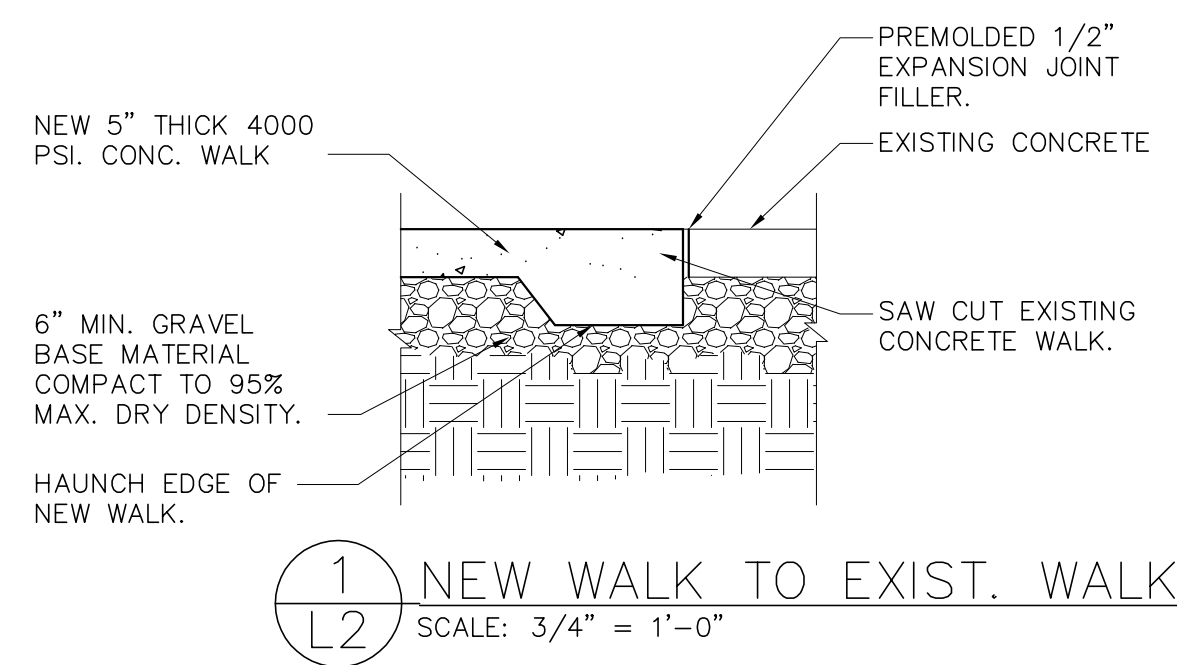
**NOTES**

1. HAY BALES AND SILT FENCE TO BE INSTALLED PRIOR TO ANY WORK TAKING PLACE ON SITE. REMOVE SAME WHEN SITE HAS BEEN STABILIZED.
2. ALL NEW BENCHES AND PLANTERS ARE TO BE INSTALLED ON NEW CONCRETE PADS. (SEE DETAILS)
3. PRIOR TO ANY WORK BEING PERFORMED, THE ARCHITECT WILL REVIEW AND APPROVE THE LAYOUT OF ALL CONCRETE PAVEMENT
4. PICNIC TABLES (3) TO BE ANCHORED BELOW GRADE IN A POURED CONCRETE PIER AS PER MANUFACTURER'S REQUIREMENTS.
5. ALL AREAS OTHER THAN CONCRETE SLABS, WALKS OR PADS OF THE STABILIZED STONE DUST AND PLANTING BEDS ARE TO BE GRADED, LOAMED AND HYDROSEEDDED.

**TREE SCHEDULE**

- TYPE 1 (X2):  
ACERRUBRUM- RED MAPLE, AUTUMN FLAME MIN. 2 1/2" CALIPER
- TYPE 2 (X1):  
ACERSACCHARUM- "LEGACY"- SUGAR MAPLE MIN. 2 1/2" CALIPER
- TYPE 3 (X2):  
STYRAX JAPONICUS- JAPANESE SNOWBALL- 6'-7'. #9 POT

REVISIONS	NO.	DESCRIPTION	DATE
DESIGNED		DPB	
DRAWN		LAM	
CHECKED		DPB	
SITE PLAN			
COMMUNITY COMMONS AT ALBEMARLE PLAYGROUND NEWTON, MASSACHUSETTS 02460			
KBA ARCHITECTS KNIGHT, BAGGE & ANDERSON, INC. BOSTON, MASSACHUSETTS			
JOB NO.		S102903-A	
DATE		11/10/04	
PLAN NO.		L1	



REVISIONS	NO.	DESCRIPTION	DATE
DESIGNED DPB			
DRAWN LAM			
CHECKED DPB			
SITE DETAILS			
COMMUNITY COMMONS AT ALBEMARLE PLAYGROUND NEWTON, MASSACHUSETTS 02460			
K&B ARCHITECTS KNIGHT, BAGGE & ANDERSON, INC. BOSTON, MASSACHUSETTS			
JOB NO. S102903-A			
DATE 11/10/04			
PLAN NO. L2			