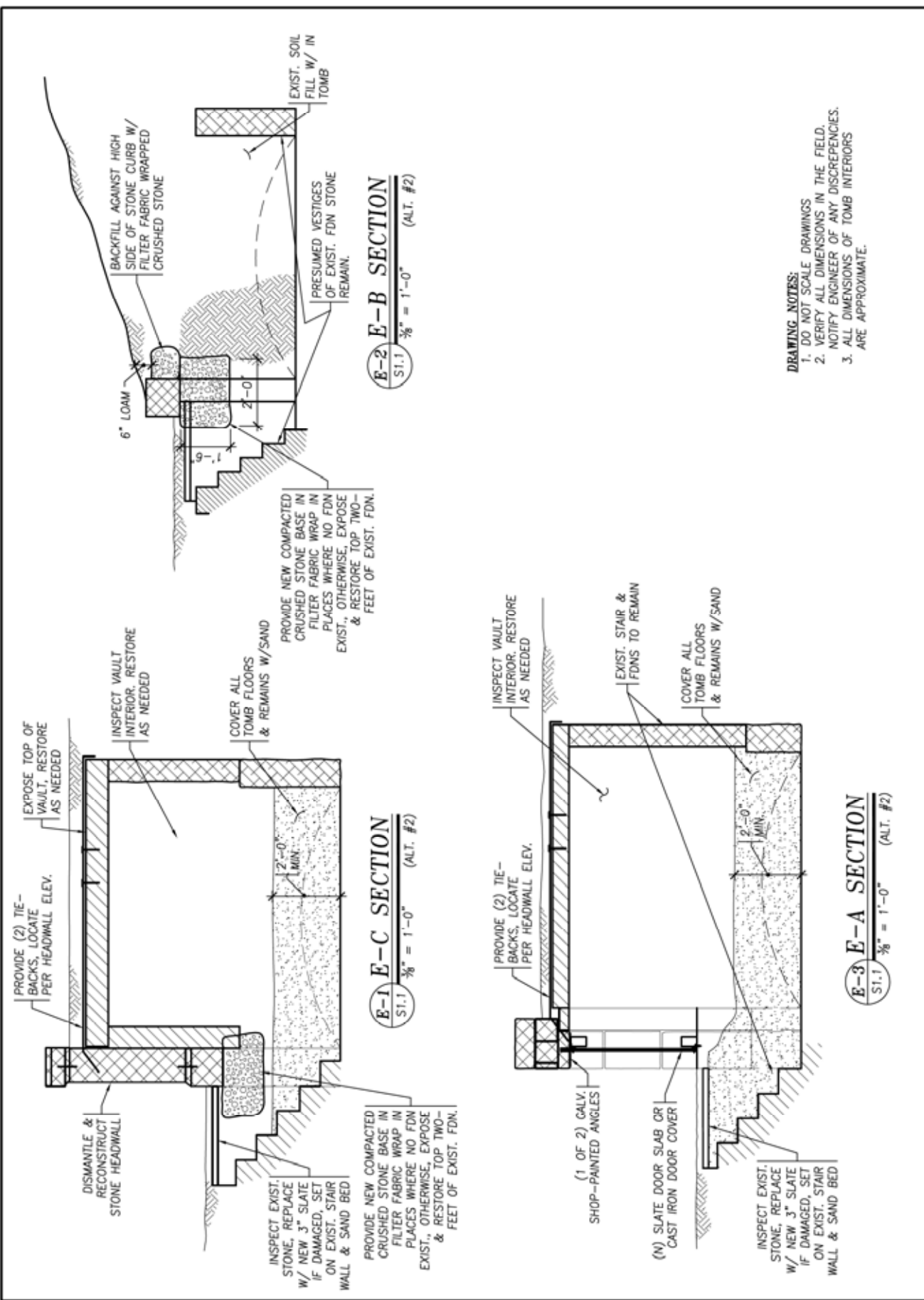
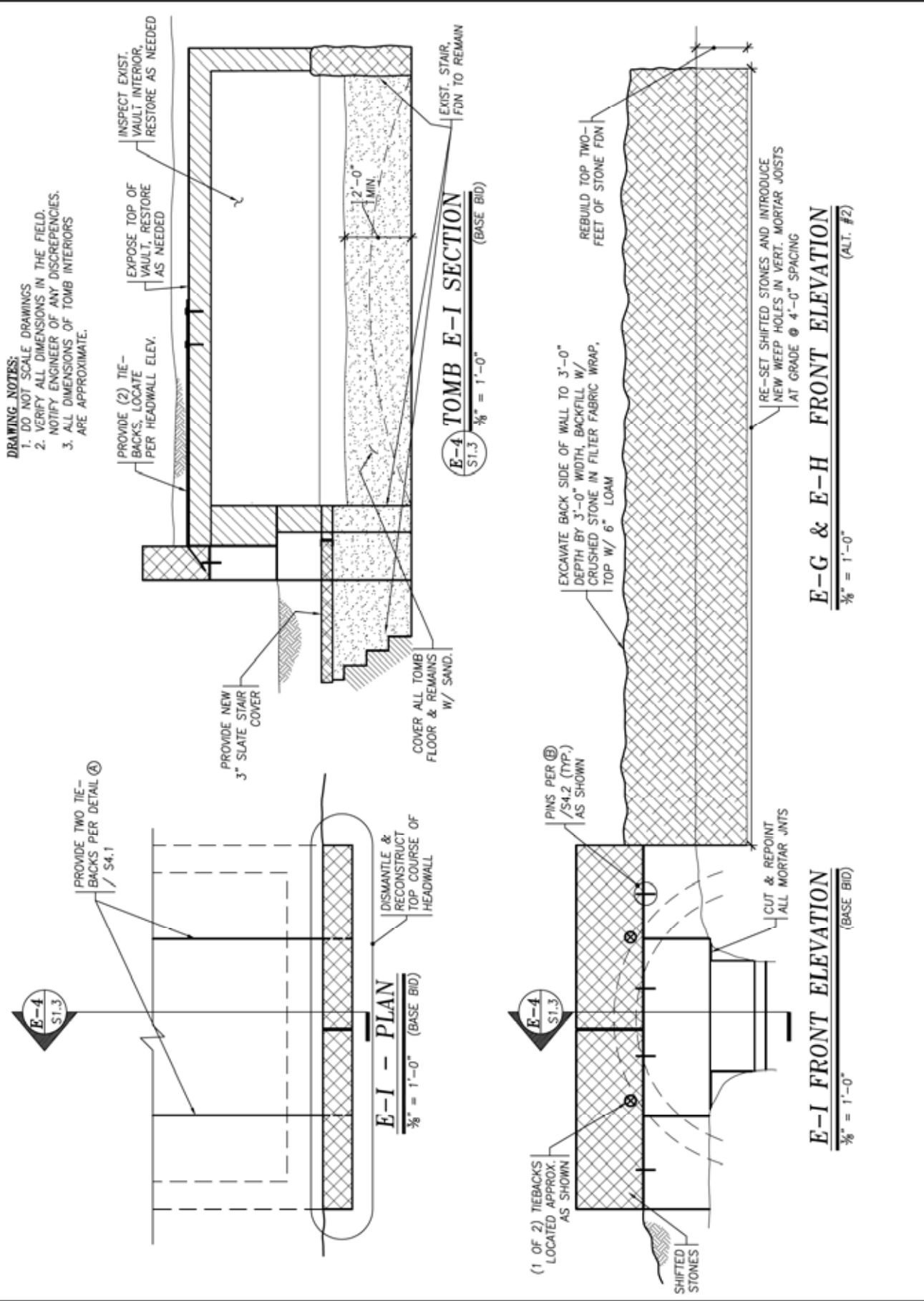


| | | |
|----------|-----|----------------------|
| DATE | NO. | DESCRIPTION |
| 05-10-10 | 01 | ISSUE FOR PERMITS |
| 05-10-10 | 02 | REVISED PER COMMENTS |
| 05-10-10 | 03 | REVISED PER COMMENTS |
| 05-10-10 | 04 | REVISED PER COMMENTS |
| 05-10-10 | 05 | REVISED PER COMMENTS |
| 05-10-10 | 06 | REVISED PER COMMENTS |
| 05-10-10 | 07 | REVISED PER COMMENTS |
| 05-10-10 | 08 | REVISED PER COMMENTS |
| 05-10-10 | 09 | REVISED PER COMMENTS |
| 05-10-10 | 10 | REVISED PER COMMENTS |
| 05-10-10 | 11 | REVISED PER COMMENTS |
| 05-10-10 | 12 | REVISED PER COMMENTS |
| 05-10-10 | 13 | REVISED PER COMMENTS |
| 05-10-10 | 14 | REVISED PER COMMENTS |
| 05-10-10 | 15 | REVISED PER COMMENTS |
| 05-10-10 | 16 | REVISED PER COMMENTS |
| 05-10-10 | 17 | REVISED PER COMMENTS |
| 05-10-10 | 18 | REVISED PER COMMENTS |
| 05-10-10 | 19 | REVISED PER COMMENTS |
| 05-10-10 | 20 | REVISED PER COMMENTS |
| 05-10-10 | 21 | REVISED PER COMMENTS |
| 05-10-10 | 22 | REVISED PER COMMENTS |
| 05-10-10 | 23 | REVISED PER COMMENTS |
| 05-10-10 | 24 | REVISED PER COMMENTS |
| 05-10-10 | 25 | REVISED PER COMMENTS |
| 05-10-10 | 26 | REVISED PER COMMENTS |
| 05-10-10 | 27 | REVISED PER COMMENTS |
| 05-10-10 | 28 | REVISED PER COMMENTS |
| 05-10-10 | 29 | REVISED PER COMMENTS |
| 05-10-10 | 30 | REVISED PER COMMENTS |
| 05-10-10 | 31 | REVISED PER COMMENTS |
| 05-10-10 | 32 | REVISED PER COMMENTS |
| 05-10-10 | 33 | REVISED PER COMMENTS |
| 05-10-10 | 34 | REVISED PER COMMENTS |
| 05-10-10 | 35 | REVISED PER COMMENTS |
| 05-10-10 | 36 | REVISED PER COMMENTS |
| 05-10-10 | 37 | REVISED PER COMMENTS |
| 05-10-10 | 38 | REVISED PER COMMENTS |
| 05-10-10 | 39 | REVISED PER COMMENTS |
| 05-10-10 | 40 | REVISED PER COMMENTS |
| 05-10-10 | 41 | REVISED PER COMMENTS |
| 05-10-10 | 42 | REVISED PER COMMENTS |
| 05-10-10 | 43 | REVISED PER COMMENTS |
| 05-10-10 | 44 | REVISED PER COMMENTS |
| 05-10-10 | 45 | REVISED PER COMMENTS |
| 05-10-10 | 46 | REVISED PER COMMENTS |
| 05-10-10 | 47 | REVISED PER COMMENTS |
| 05-10-10 | 48 | REVISED PER COMMENTS |
| 05-10-10 | 49 | REVISED PER COMMENTS |
| 05-10-10 | 50 | REVISED PER COMMENTS |
| 05-10-10 | 51 | REVISED PER COMMENTS |
| 05-10-10 | 52 | REVISED PER COMMENTS |
| 05-10-10 | 53 | REVISED PER COMMENTS |
| 05-10-10 | 54 | REVISED PER COMMENTS |
| 05-10-10 | 55 | REVISED PER COMMENTS |
| 05-10-10 | 56 | REVISED PER COMMENTS |
| 05-10-10 | 57 | REVISED PER COMMENTS |
| 05-10-10 | 58 | REVISED PER COMMENTS |
| 05-10-10 | 59 | REVISED PER COMMENTS |
| 05-10-10 | 60 | REVISED PER COMMENTS |
| 05-10-10 | 61 | REVISED PER COMMENTS |
| 05-10-10 | 62 | REVISED PER COMMENTS |
| 05-10-10 | 63 | REVISED PER COMMENTS |
| 05-10-10 | 64 | REVISED PER COMMENTS |
| 05-10-10 | 65 | REVISED PER COMMENTS |
| 05-10-10 | 66 | REVISED PER COMMENTS |
| 05-10-10 | 67 | REVISED PER COMMENTS |
| 05-10-10 | 68 | REVISED PER COMMENTS |
| 05-10-10 | 69 | REVISED PER COMMENTS |
| 05-10-10 | 70 | REVISED PER COMMENTS |
| 05-10-10 | 71 | REVISED PER COMMENTS |
| 05-10-10 | 72 | REVISED PER COMMENTS |
| 05-10-10 | 73 | REVISED PER COMMENTS |
| 05-10-10 | 74 | REVISED PER COMMENTS |
| 05-10-10 | 75 | REVISED PER COMMENTS |
| 05-10-10 | 76 | REVISED PER COMMENTS |
| 05-10-10 | 77 | REVISED PER COMMENTS |
| 05-10-10 | 78 | REVISED PER COMMENTS |
| 05-10-10 | 79 | REVISED PER COMMENTS |
| 05-10-10 | 80 | REVISED PER COMMENTS |
| 05-10-10 | 81 | REVISED PER COMMENTS |
| 05-10-10 | 82 | REVISED PER COMMENTS |
| 05-10-10 | 83 | REVISED PER COMMENTS |
| 05-10-10 | 84 | REVISED PER COMMENTS |
| 05-10-10 | 85 | REVISED PER COMMENTS |
| 05-10-10 | 86 | REVISED PER COMMENTS |
| 05-10-10 | 87 | REVISED PER COMMENTS |
| 05-10-10 | 88 | REVISED PER COMMENTS |
| 05-10-10 | 89 | REVISED PER COMMENTS |
| 05-10-10 | 90 | REVISED PER COMMENTS |
| 05-10-10 | 91 | REVISED PER COMMENTS |
| 05-10-10 | 92 | REVISED PER COMMENTS |
| 05-10-10 | 93 | REVISED PER COMMENTS |
| 05-10-10 | 94 | REVISED PER COMMENTS |
| 05-10-10 | 95 | REVISED PER COMMENTS |
| 05-10-10 | 96 | REVISED PER COMMENTS |
| 05-10-10 | 97 | REVISED PER COMMENTS |
| 05-10-10 | 98 | REVISED PER COMMENTS |
| 05-10-10 | 99 | REVISED PER COMMENTS |
| 05-10-10 | 100 | REVISED PER COMMENTS |



DRAWING NOTES:
 1. DO NOT SCALE DRAWINGS IN THE FIELD.
 2. VERIFY ALL DIMENSIONS IN THE FIELD. NOTIFY ENGINEER OF ANY DISCREPANCIES.
 3. ALL DIMENSIONS OF TOMB INTERIORS ARE APPROXIMATE.

| | | |
|----------|-----|------------------------------|
| DATE | NO. | DESCRIPTION |
| 05-10-10 | 01 | ISSUE FOR PERMITS & SECTIONS |
| 05-10-10 | 02 | ISSUE FOR PERMITS & SECTIONS |
| 05-10-10 | 03 | ISSUE FOR PERMITS & SECTIONS |
| 05-10-10 | 04 | ISSUE FOR PERMITS & SECTIONS |
| 05-10-10 | 05 | ISSUE FOR PERMITS & SECTIONS |



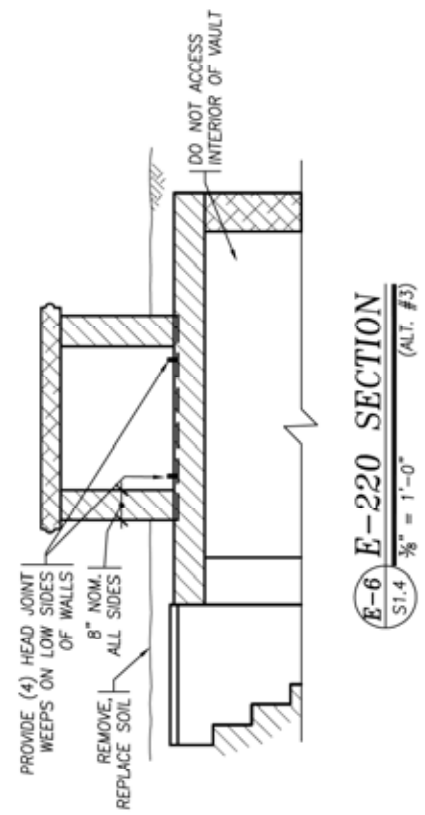
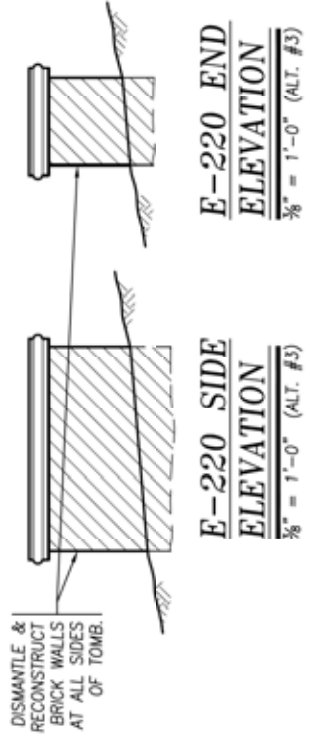
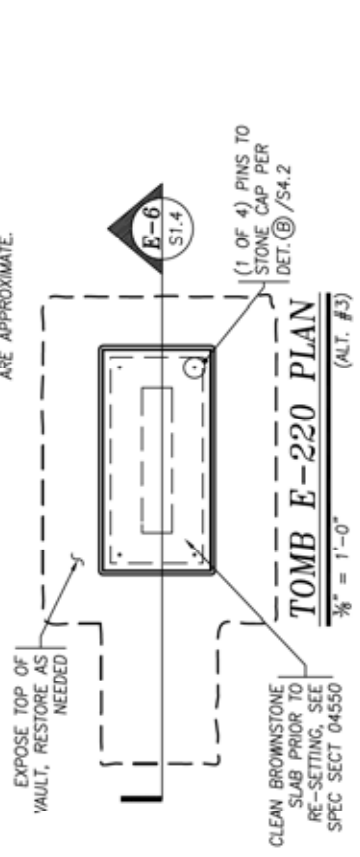
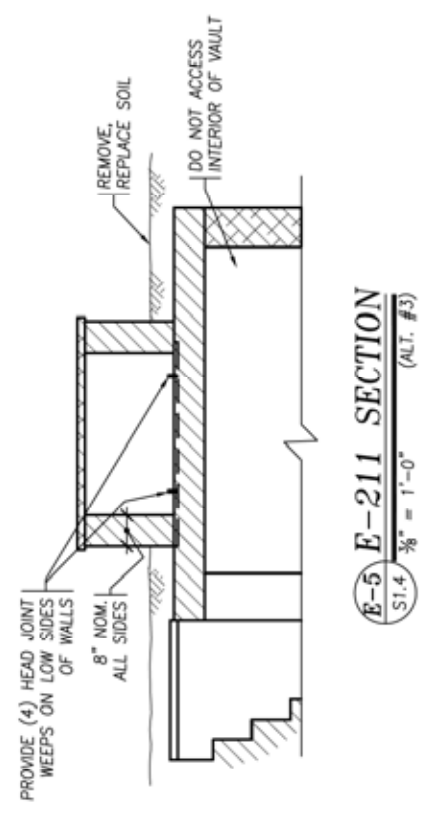
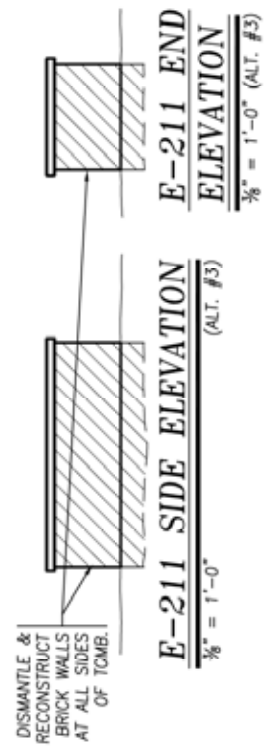
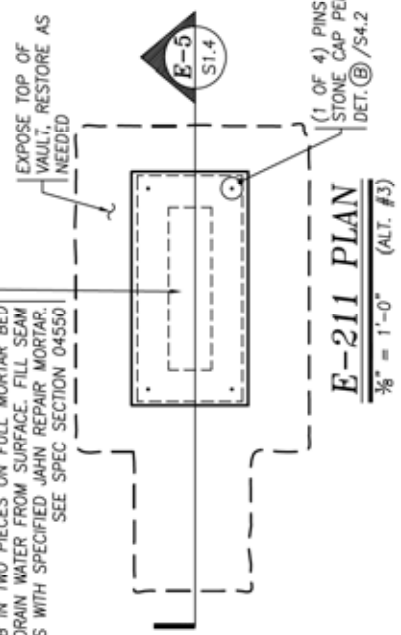
HISTORIC NEWTON BURYING GROUNDS
NEWTON, MASSACHUSETTS

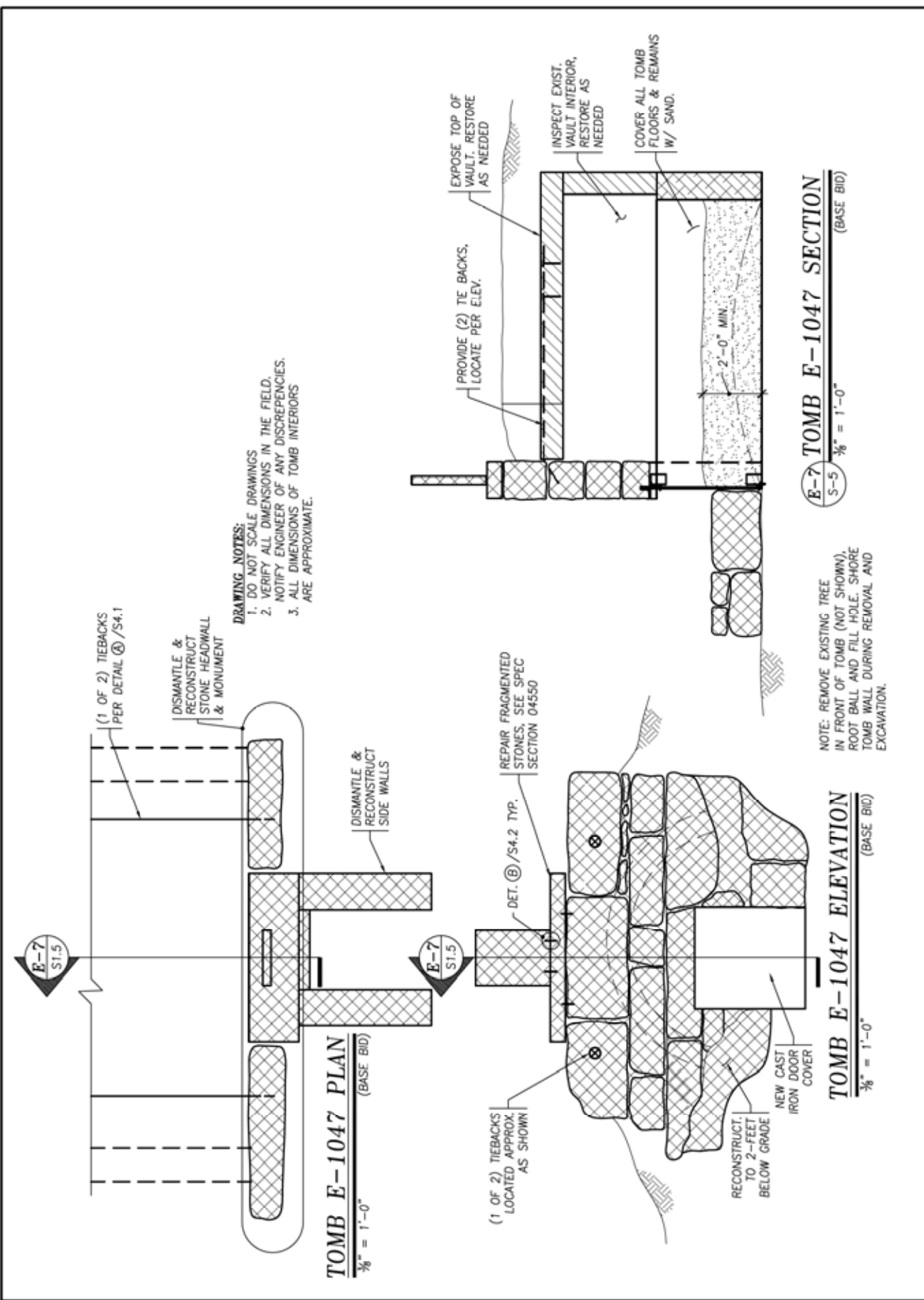
| | |
|------------------------------|--------------|
| PROJECT NAME | |
| DATE | 05-10-10 |
| SCALE | AS NOTED |
| CHECKED BY | |
| DESIGNED BY | |
| INCHES | 1/8" = 1'-0" |
| FEET | 1" = 1'-0" |
| EAST PARISH E-211 & E-220 | |

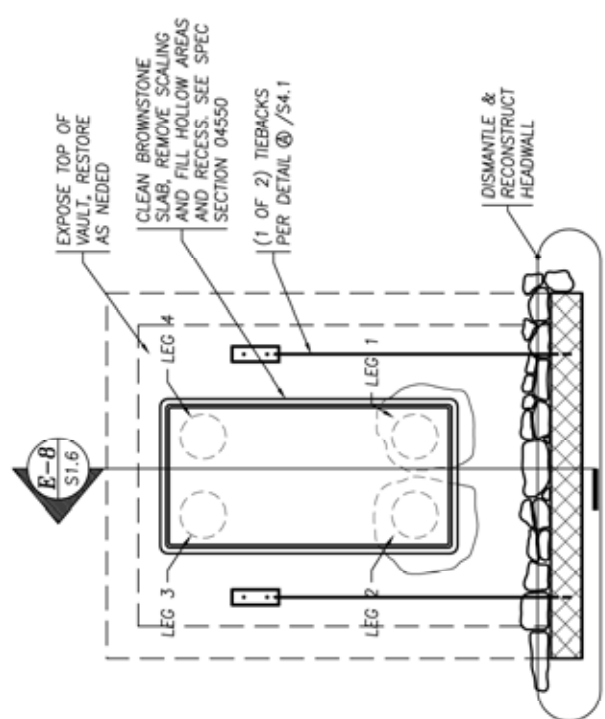
S1.4

REMOVE AND SALVAGE ALL MARBLE FRAGMENTS.
PRE-CONSOLIDATE MARBLE WITH HCT PRIOR TO CLEANING.
CLEAN AS SPECIFIED. REATTACH SMALL FRAGMENTS AND
GROUT FISSURES. CONSOLIDATE MARBLE SLAB AS SPECIFIED
RESET MARBLE SLAB IN TWO PIECES ON FULL MORTAR BED
- SLOPE UNITS TO DRAIN WATER FROM SURFACE. FILL SEAM
BETWEEN TWO PIECES WITH SPECIFIED JAHN REPAIR MORTAR.
SEE SPEC SECTION 04550.

DRAWING NOTES:
1. DO NOT SCALE DRAWINGS
2. VERIFY ALL DIMENSIONS IN THE FIELD.
NOTIFY ENGINEER OF ANY DISCREPANCIES.
3. ALL DIMENSIONS OF TOMB INTERIORS
ARE APPROXIMATE.

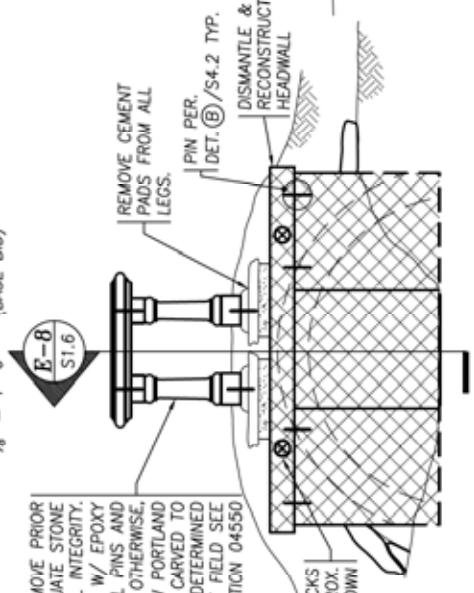






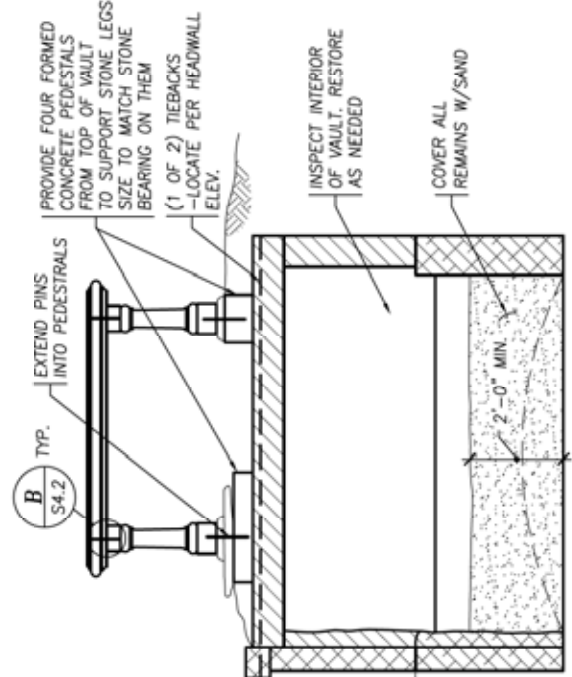
E-1113 PLAN
3/8" = 1'-0" (BASE BID)

LEGS: 2-4: REMOVE PRIOR REPAIRS AND EVALUATE STONE FOR STRUCTURAL INTEGRITY. REATTACH FRAGMENTS W/ EPOXY AND STAINLESS STEEL PINS AND FILL AREAS OF LOSS. OTHERWISE, REPLACE W/ NEW PORTLAND BROWNSTONE LEGS CARVED TO MATCH EXISTING. IF DETERMINED NECESSARY IN THE FIELD SEE SPEC SECTION 04550



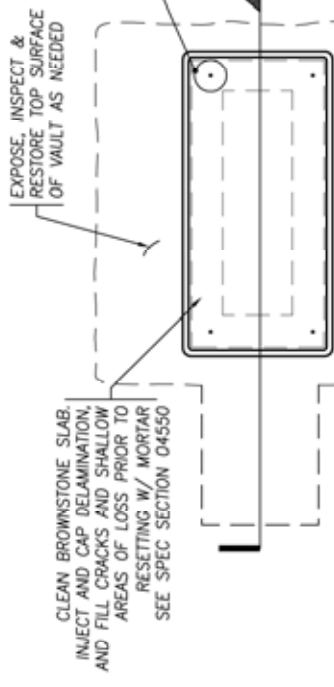
E-1113 FRONT ELEVATION
3/8" = 1'-0" (BASE BID)

DRAWING NOTES:
1. DO NOT SCALE DRAWINGS IN THE FIELD.
2. VERIFY ALL DIMENSIONS IN THE FIELD. NOTIFY ENGINEER OF ANY DISCREPANCIES.
3. ALL DIMENSIONS OF TOMB INTERIORS ARE APPROXIMATE.

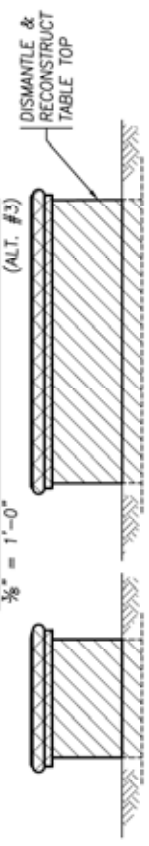


E-1113 SECTION
5/8" = 1'-0" (BASE BID)

DRAWING NOTES:
1. DO NOT SCALE DRAWINGS IN THE FIELD.
2. VERIFY ALL DIMENSIONS IN THE FIELD. NOTIFY ENGINEER OF ANY DISCREPANCIES.
3. ALL DIMENSIONS OF TOMB INTERIORS ARE APPROXIMATE.



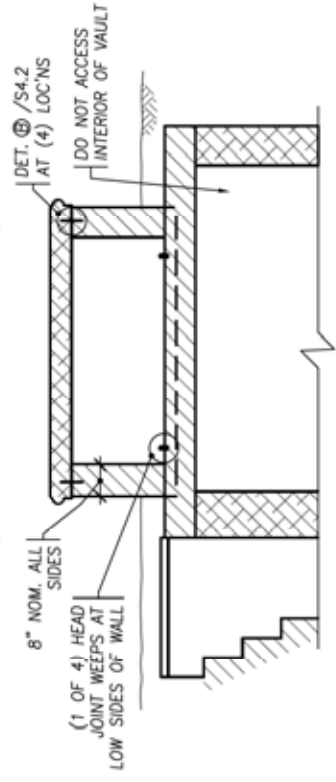
E-TABLE TOP 1 - PLAN
 $\frac{3}{8}'' = 1'-0''$ (ALT. #3)



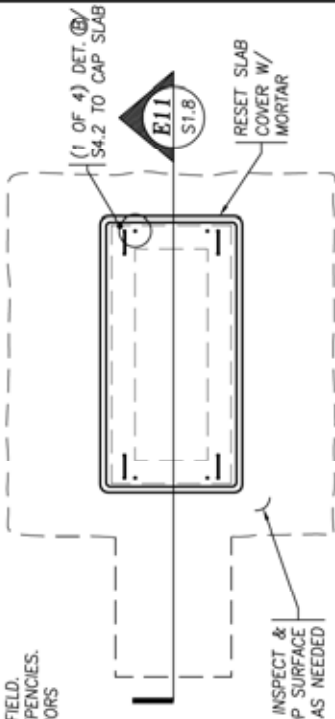
E-TABLE TOP 1 SIDE ELEVATION
 $\frac{3}{8}'' = 1'-0''$ (ALT. #3)



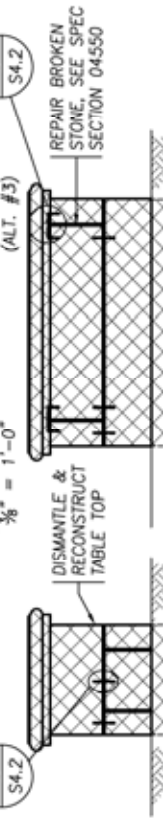
E-TABLE TOP 1 ELEVATION
 $\frac{3}{8}'' = 1'-0''$ (ALT. #3)



E10 S1.8 E-TABLE TOP 1 SECTION
 $\frac{3}{8}'' = 1'-0''$ (ALT. #3)



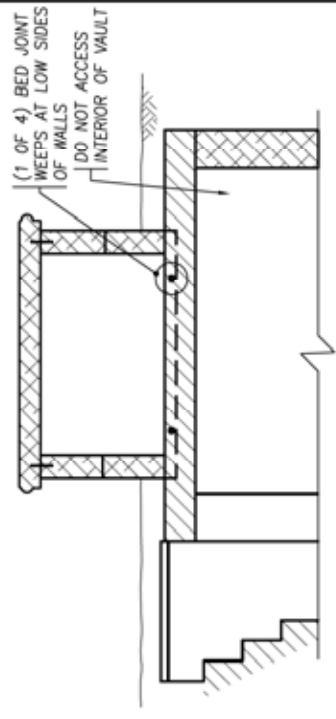
E-KENRICK - PLAN
 $\frac{3}{8}'' = 1'-0''$ (ALT. #3)



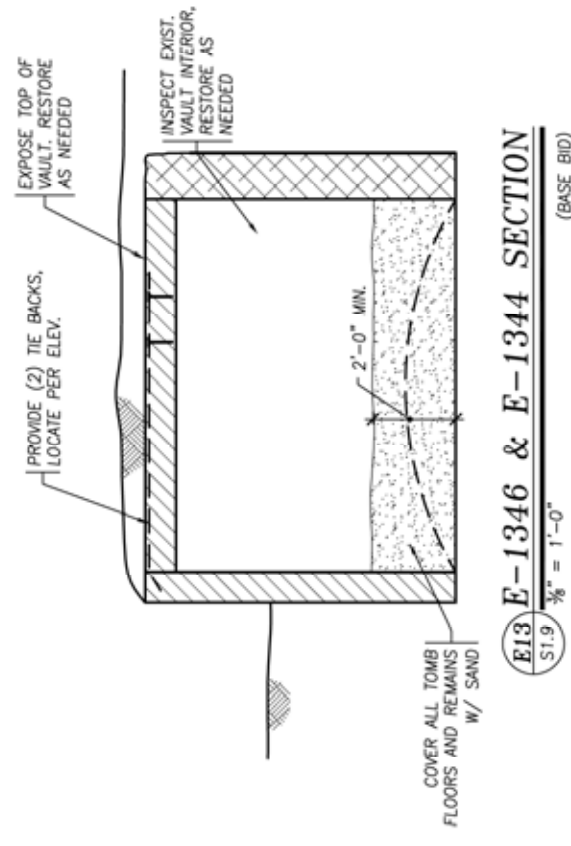
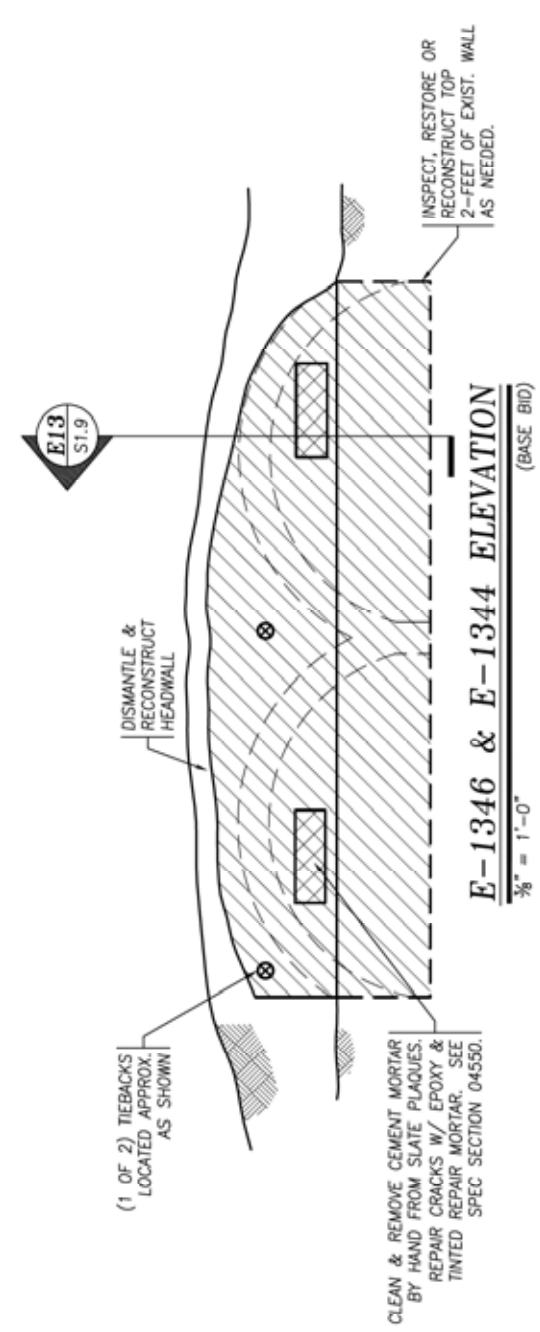
E-KENRICK - END ELEVATION
 $\frac{3}{8}'' = 1'-0''$ (ALT. #3)

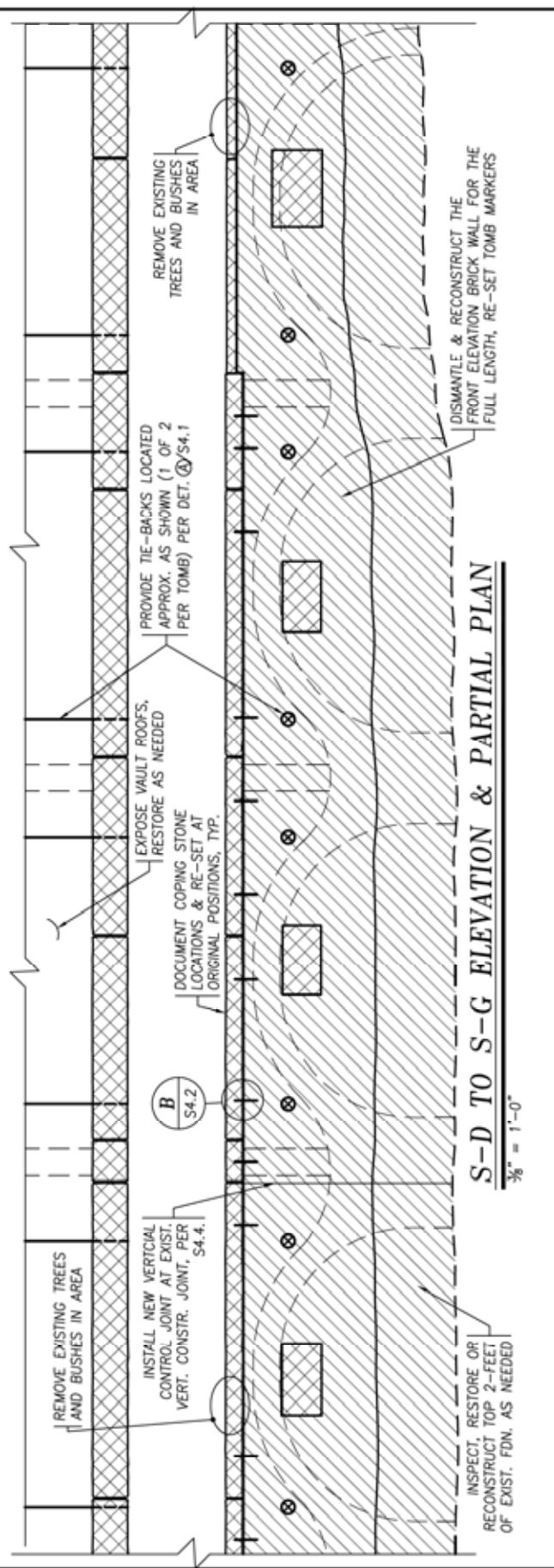
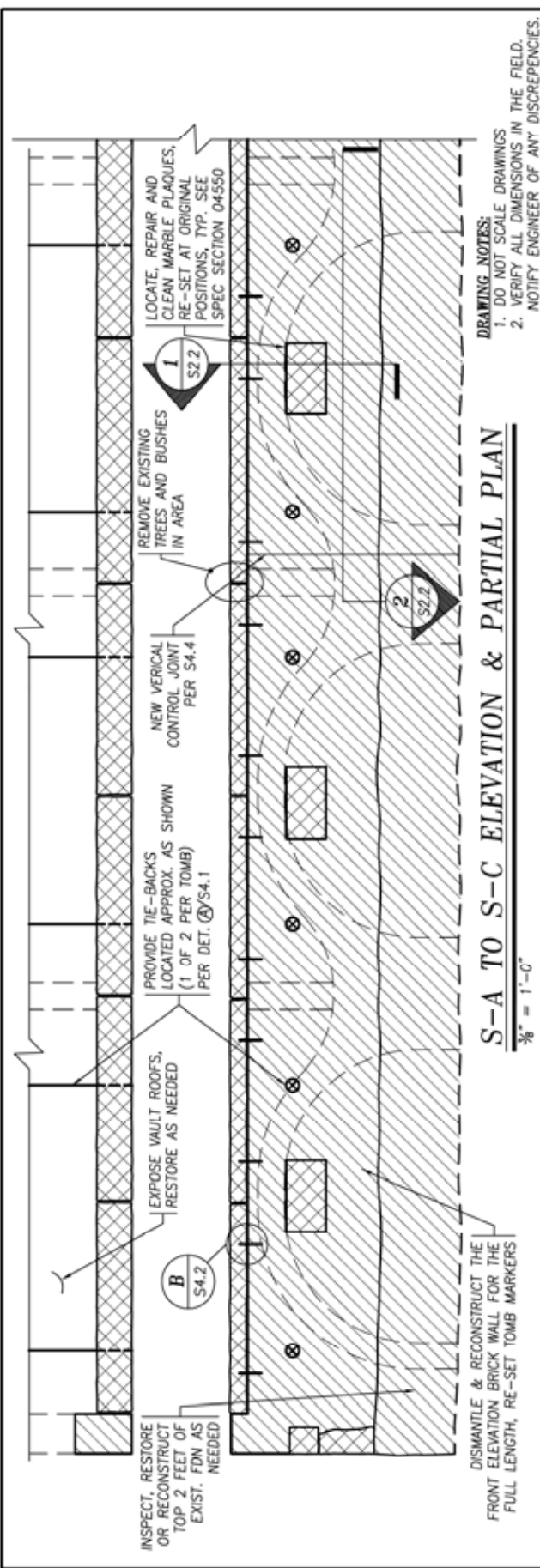


E-KENRICK - SIDE ELEVATION
 $\frac{3}{8}'' = 1'-0''$ (ALT. #3)

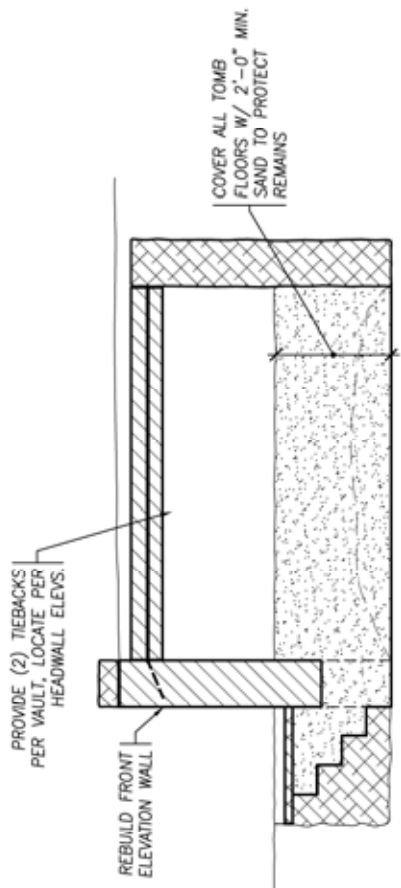


E11 S1.8 E-KENRICK SECTION
 $\frac{3}{8}'' = 1'-0''$ (ALT. #3)

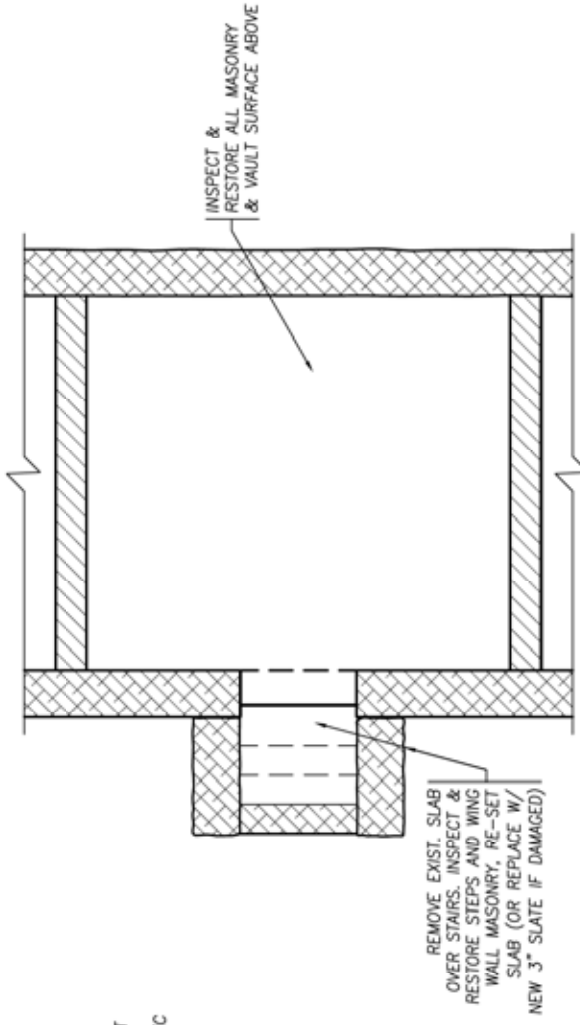




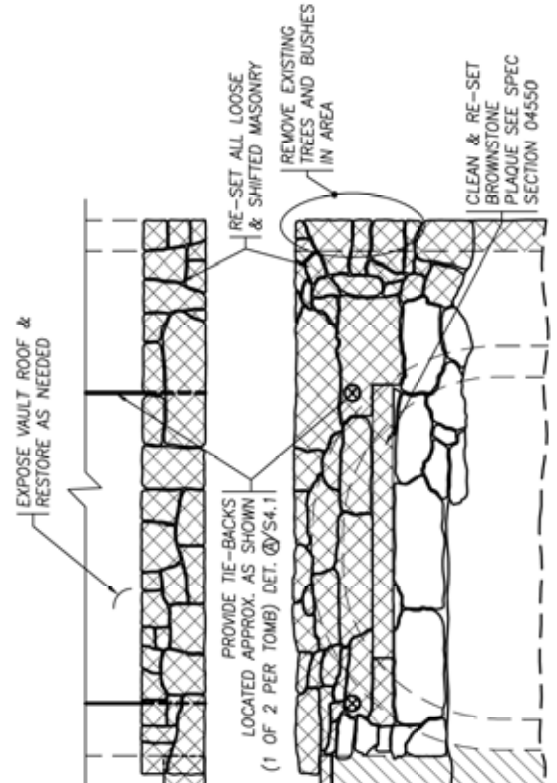
| | | |
|----------------|-------|--------------|
| DATE | PK/SB | PROJECT NAME |
| 05-10-10 | | |
| SCALE AS NOTED | | |
| CHECKED BY | | |
| APPROVED BY | | |



1 TYPICAL TOMB SECTION
S2.1 3/8" = 1'-0"

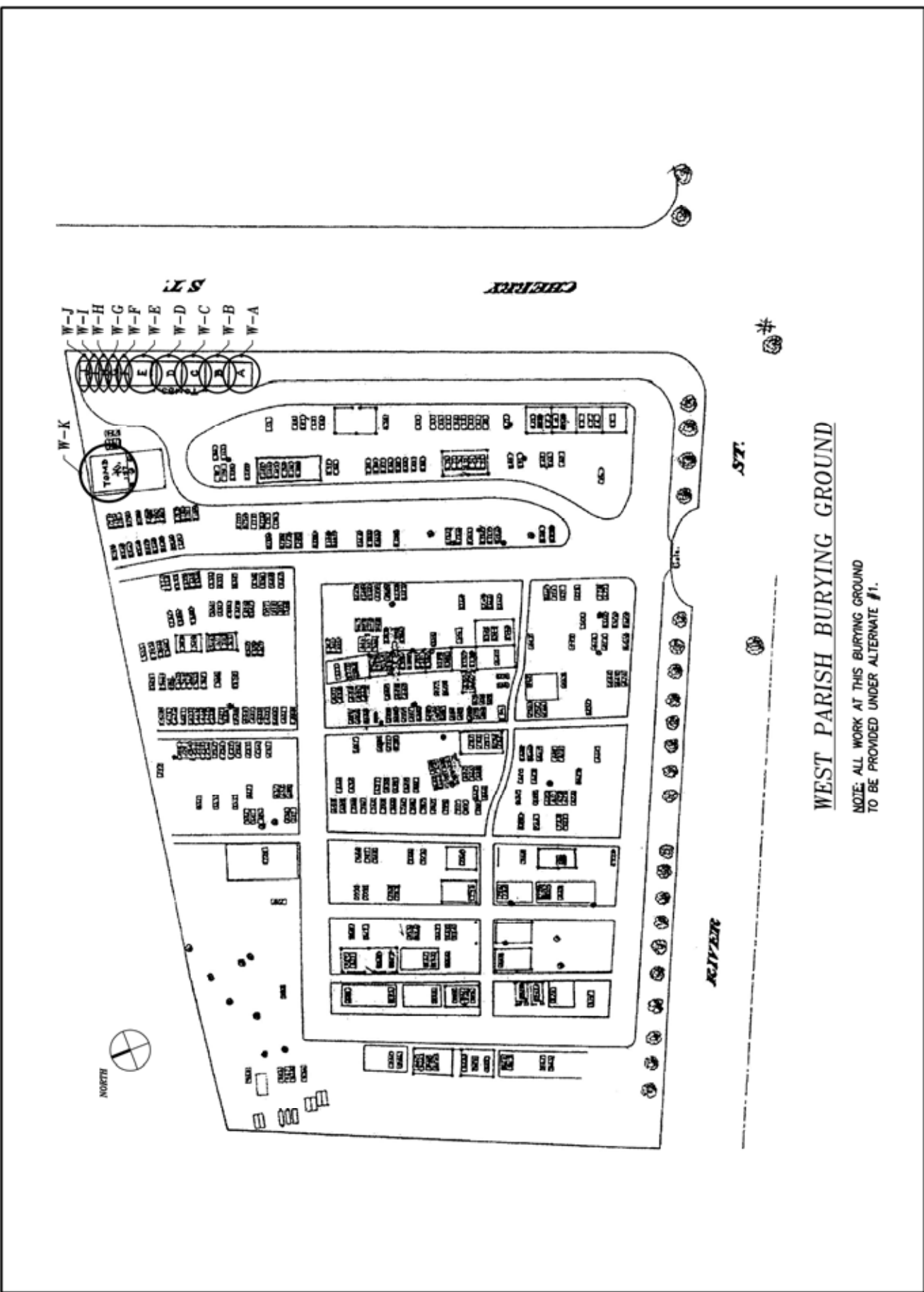


2 TYPICAL TOMB PLAN
S2.1 3/8" = 1'-0"



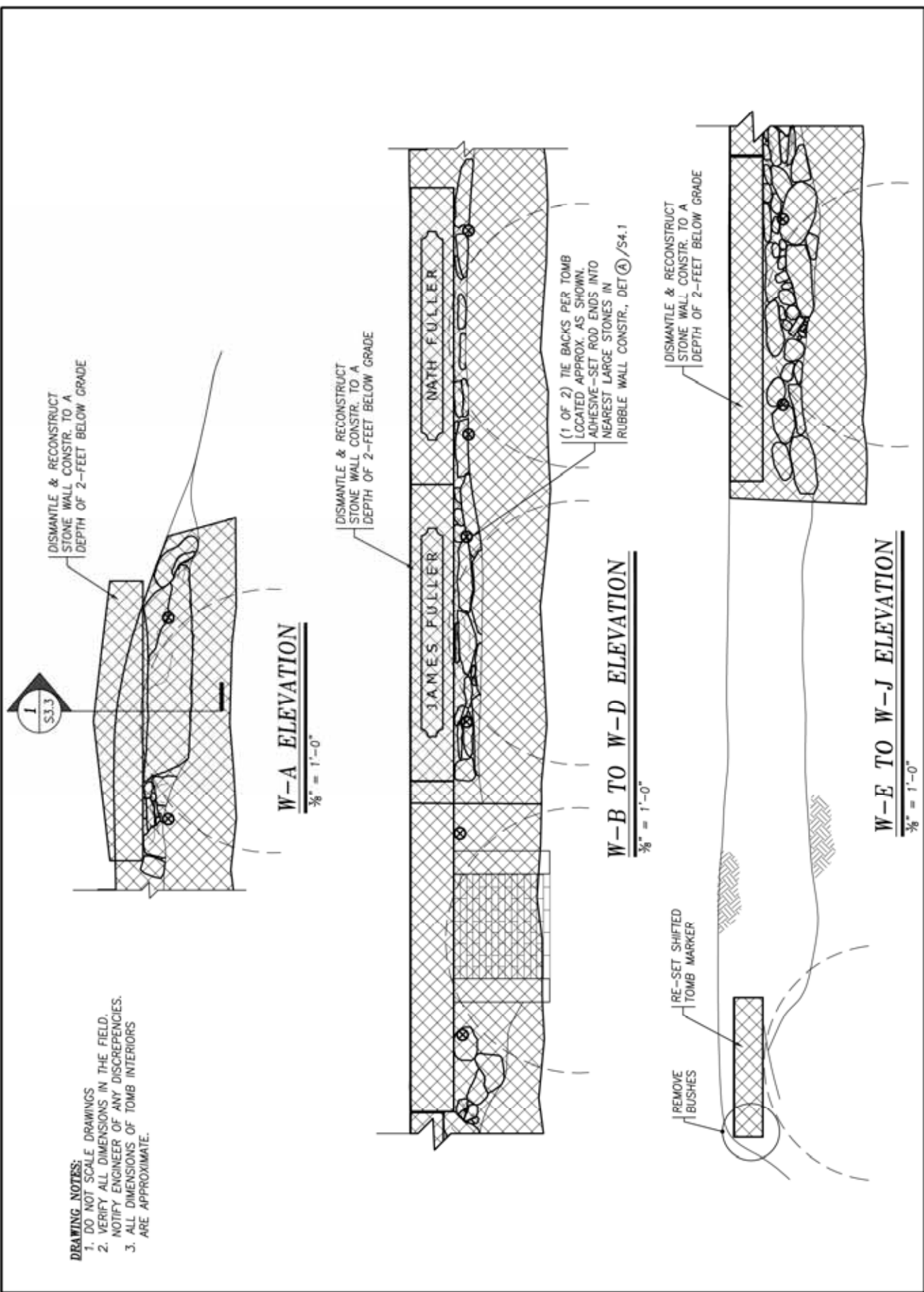
S-H ELEVATION & PARTIAL PLAN
3/8" = 1'-0"

- DRAWING NOTES:**
- DO NOT SCALE DRAWINGS
 - VERIFY ALL DIMENSIONS IN THE FIELD. NOTIFY ENGINEER OF ANY DISCREPANCIES.



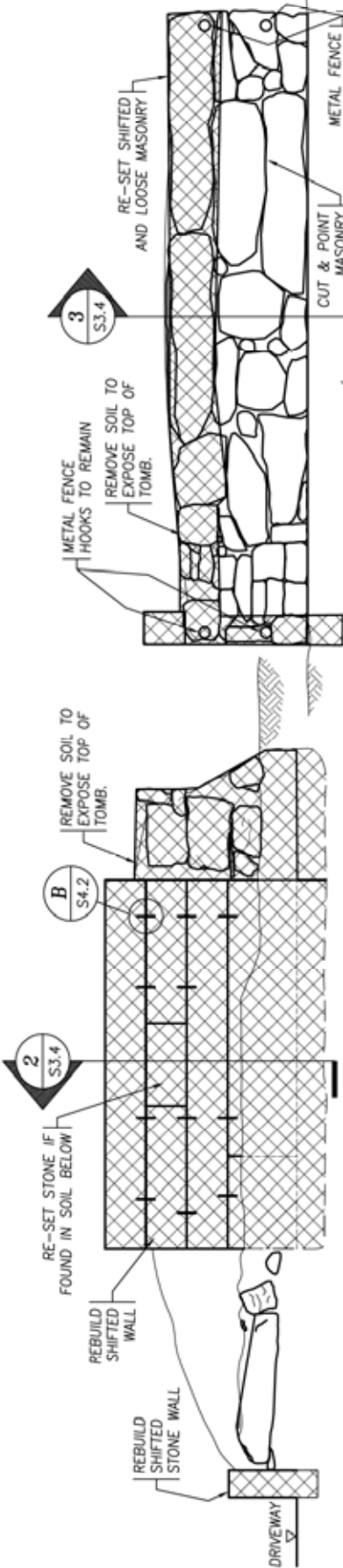
WEST PARISH BURYING GROUND

NOTE: ALL WORK AT THIS BURYING GROUND TO BE PROVIDED UNDER ALTERNATE #1.



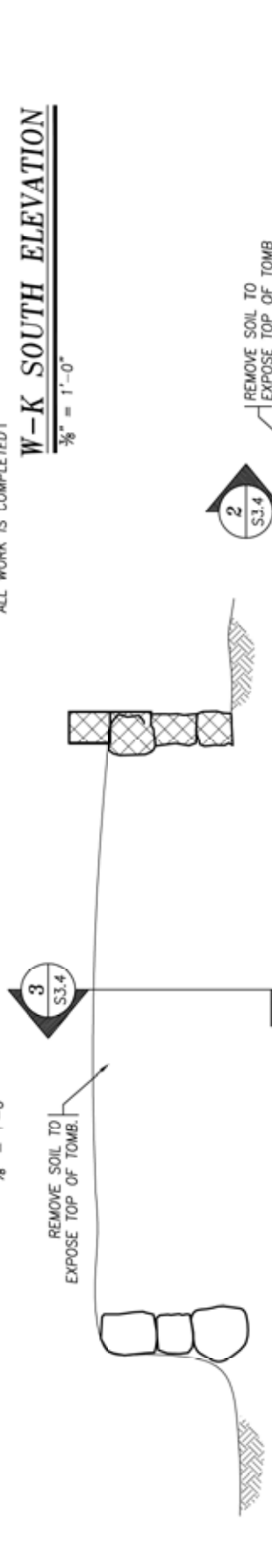
- DRAWING NOTES:**
1. DO NOT SCALE DRAWINGS
 2. VERIFY ALL DIMENSIONS IN THE FIELD.
 3. NOTIFY ENGINEER OF ANY DISCREPANCIES.
 4. ALL DIMENSIONS OF TOMB INTERIORS ARE APPROXIMATE.

| | |
|-----------------|---------------------------------|
| PROJECT NAME | NEWTON HISTORIC BURYING GROUNDS |
| DATE | 09-10-10 |
| SCALE AS NOTED | |
| CHECKED BY | |
| WEST ELEVATIONS | |
| W-K ELEVATIONS | |



W-K WEST ELEVATION
3/8" = 1'-0"

W-K SOUTH ELEVATION
3/8" = 1'-0"

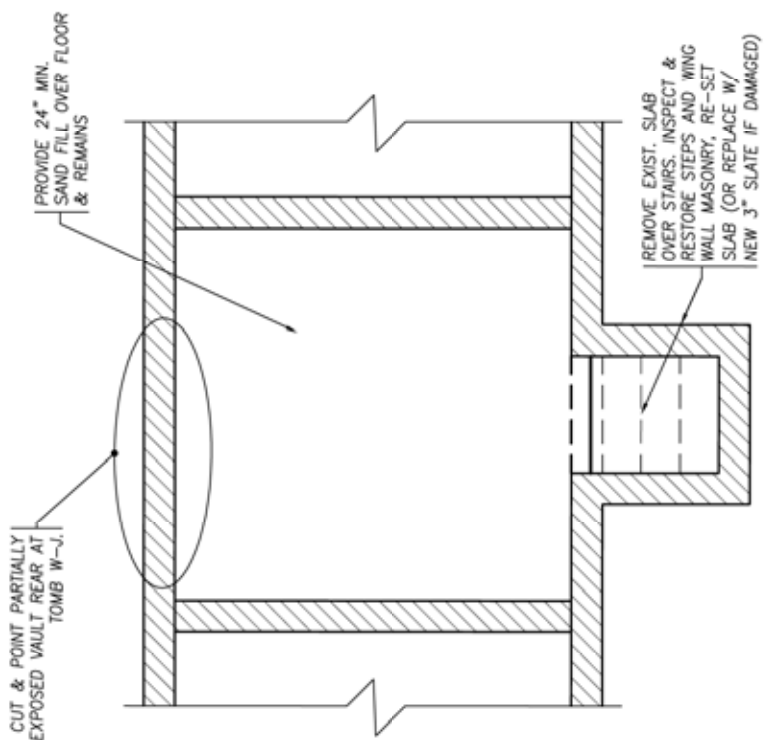


W-K NORTH ELEVATION
3/8" = 1'-0"

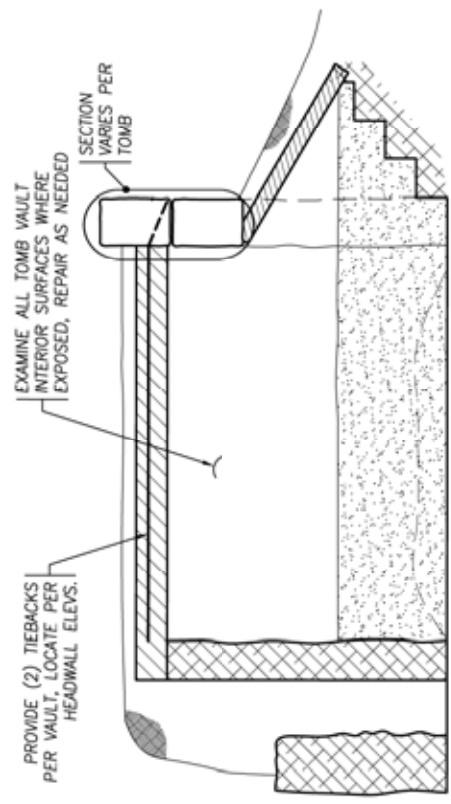
W-K EAST ELEVATION
3/8" = 1'-0"

- DRAWING NOTES:**
1. DO NOT SCALE DRAWINGS
 2. VERIFY ALL DIMENSIONS IN THE FIELD.
 3. NOTIFY ENGINEER OF ANY DISCREPANCIES.
- ALL DIMENSIONS OF TOMB INTERIORS ARE APPROXIMATE.

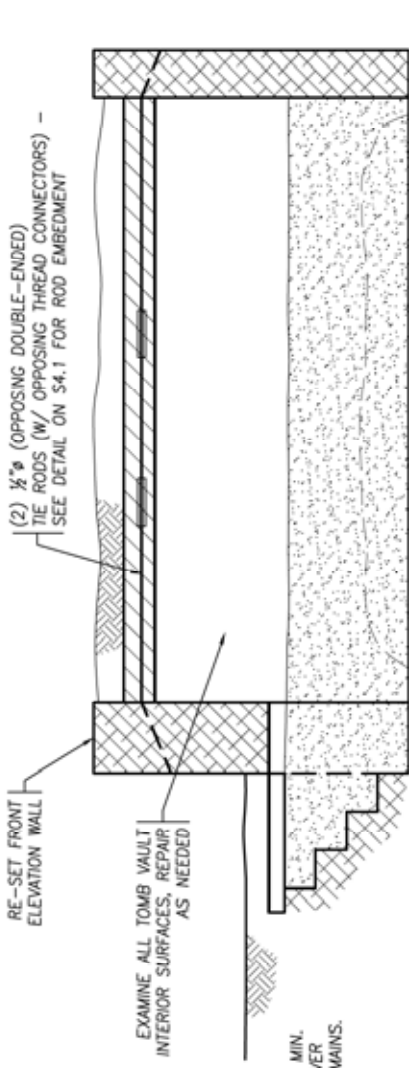
- DRAWING NOTES:**
1. DO NOT SCALE DRAWINGS
 2. VERIFY ALL DIMENSIONS IN THE FIELD. NOTIFY ENGINEER OF ANY DISCREPANCIES.
 3. ALL DIMENSIONS OF TOMB INTERIORS ARE APPROXIMATE.



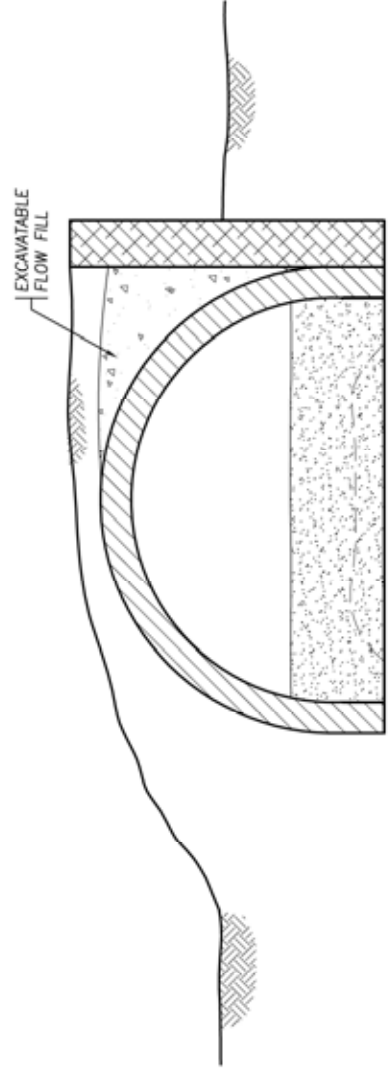
TYPICAL TOMB PLAN W-A TO W-J
 $\frac{1}{8}'' = 1'-0''$



SECTION AT W-A, TYPICAL
 $\frac{3}{8}'' = 1'-0''$

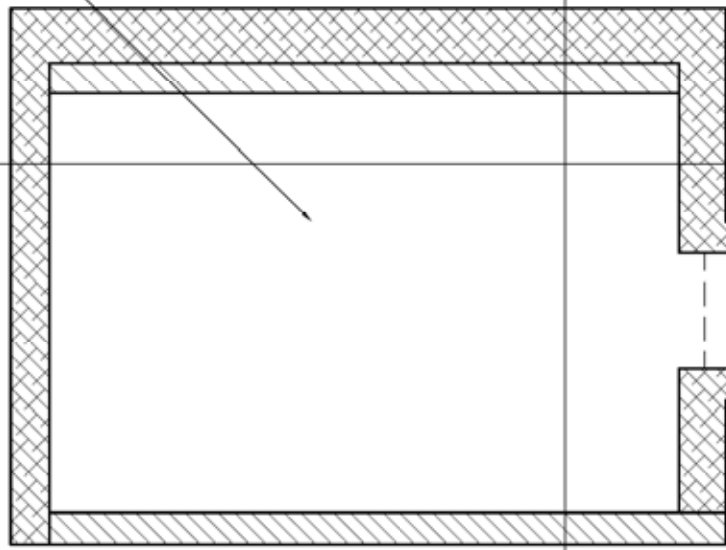


2 LONGITUDINAL SECTION AT W-K
1/8" = 1'-0"



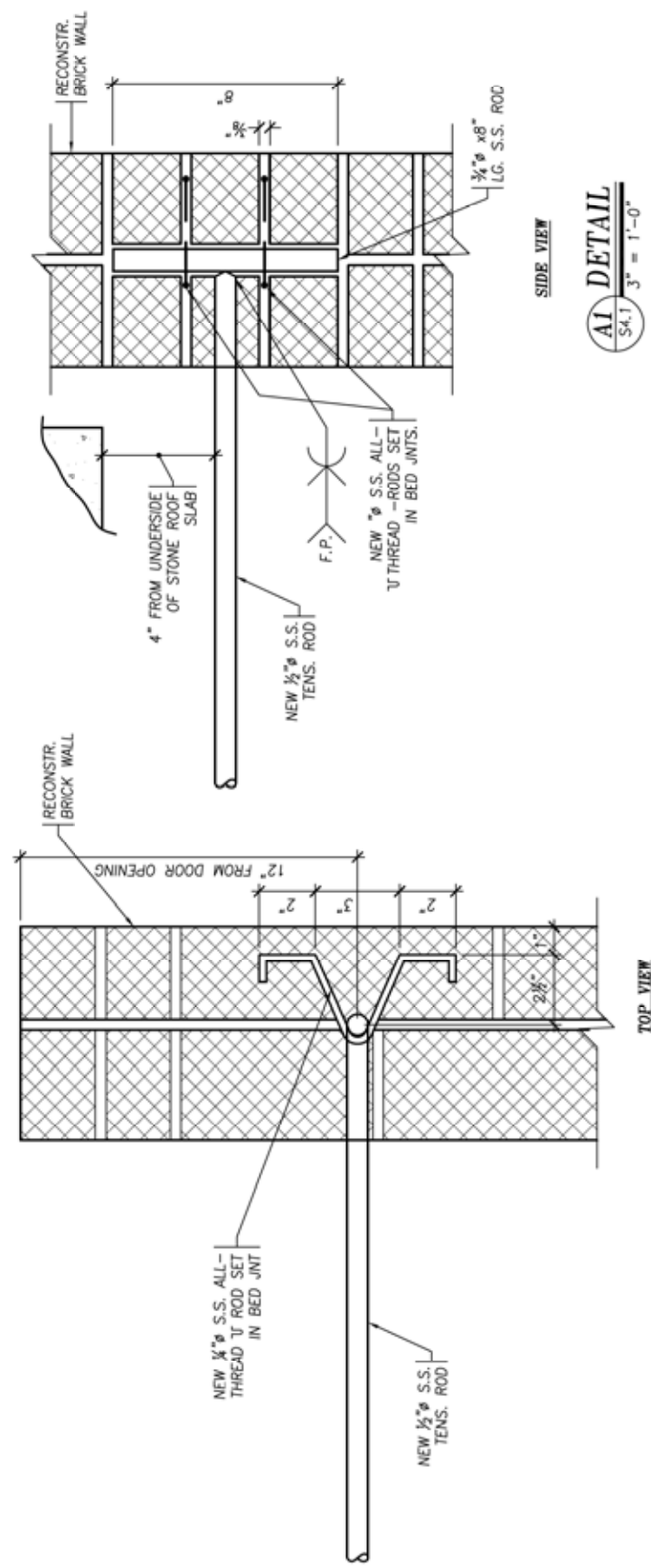
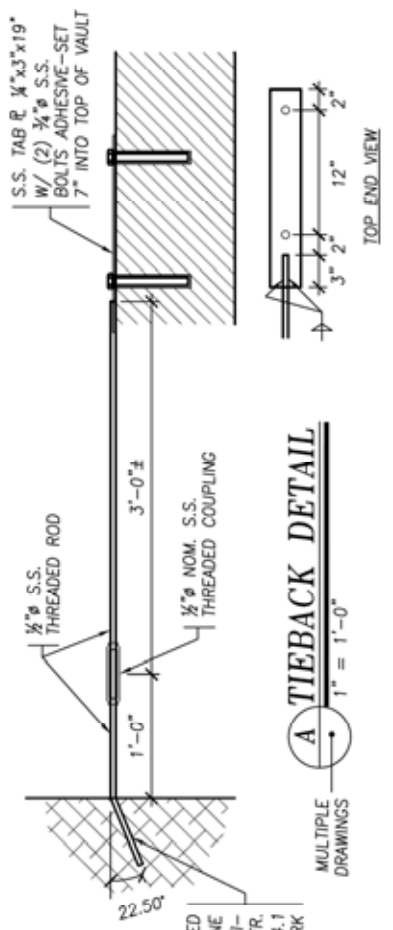
3 TRANSVERSE SECTION AT W-K
1/8" = 1'-0"

- DRAWING NOTES:**
1. DO NOT SCALE DRAWINGS
 2. VERIFY ALL DIMENSIONS IN THE FIELD.
 3. NOTIFY ENGINEER OF ANY DISCREPANCIES.
 4. ALL DIMENSIONS OF TOMB INTERIORS ARE APPROXIMATE.

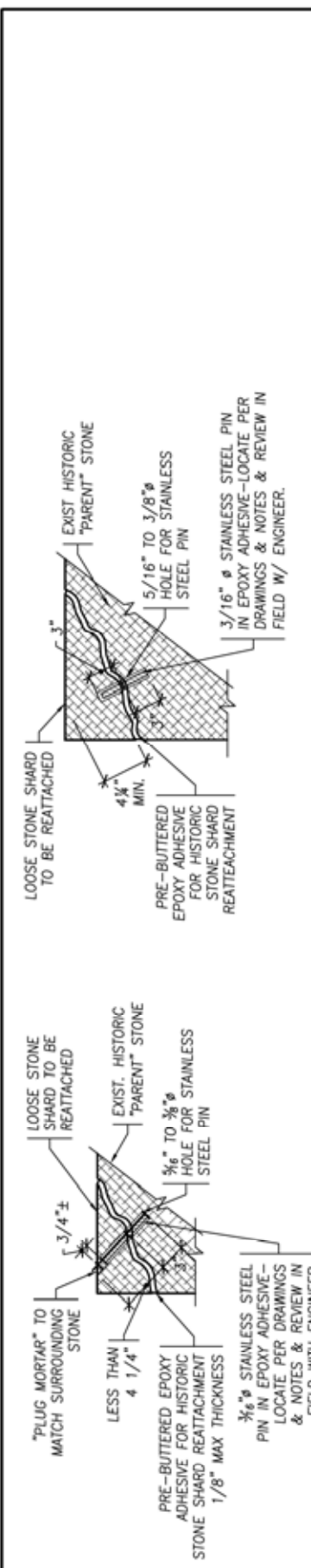


REMOVE EXIST. SLAB OVER STAIRS. INSPECT & RESTORE STEPS AND WING WALL MASONRY. RE-SET SLAB (OR REPLACE W/ NEW 3" SLATE IF DAMAGED)

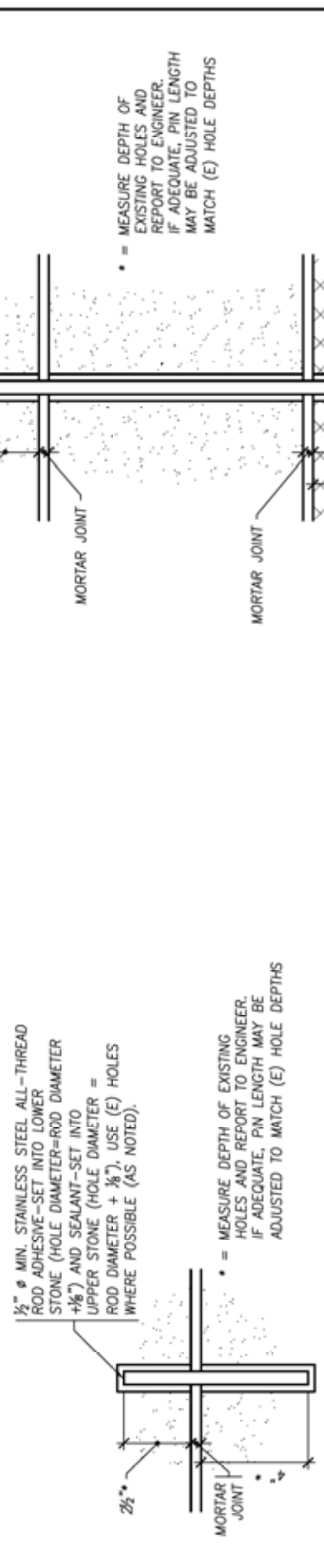
TOMB PLAN AT W-K
1/8" = 1'-0"



| | |
|--------------------|----------|
| DATE | 05-10-10 |
| SCALE | AS NOTED |
| CHECKED BY | WMS |
| SECTIONS & DETAILS | |



TYPICAL STONE SHARD REPAIR
1" = 1'-0"

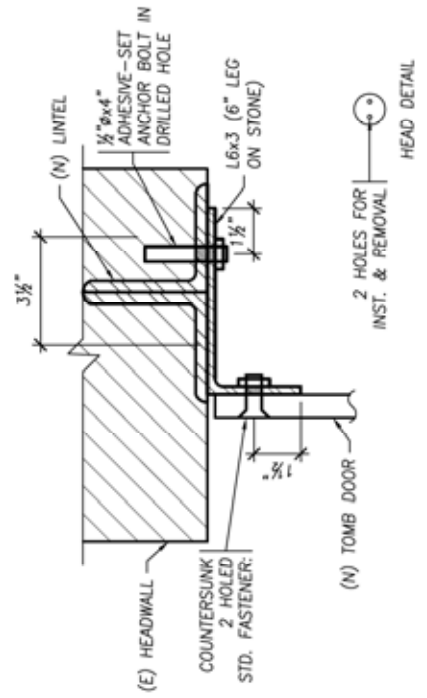


MASONRY PIN DETAIL
3" = 1'-0" (FIELD- VERIFY ALL DIMENSIONS)

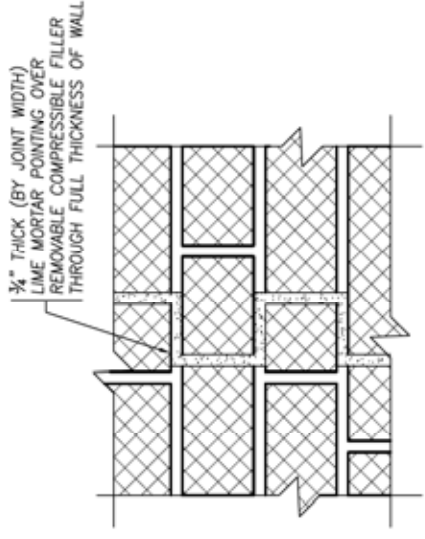
MASONRY PIN (STAPLE) DETAIL
3" = 1'-0" (FIELD- VERIFY ALL DIMENSIONS)

MASONRY PIN DETAIL
3" = 1'-0" (FIELD- VERIFY ALL DIMENSIONS)

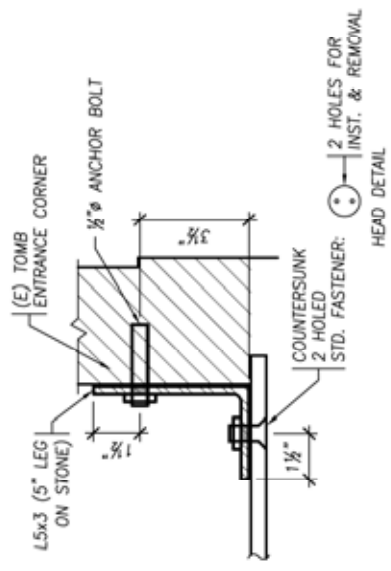
| | |
|--------------------|----------|
| PROJECT NAME | |
| DRAWN BY | SR |
| DATE | 05-10-10 |
| SCALE | AS NOTED |
| CHECKED BY | SR |
| SECTIONS & DETAILS | |



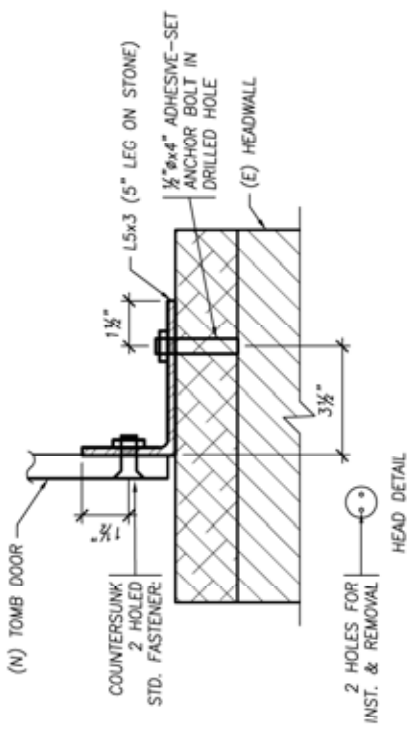
F DETAIL
 S4.3 3" = 1'-0"



G DETAIL
 S4.3 3" = 1'-0"



E2 SECTION
 S4.3 3" = 1'-0"



G DETAIL
 S4.3 3" = 1'-0"