

**EAST PARISH  
BURYING GROUND**

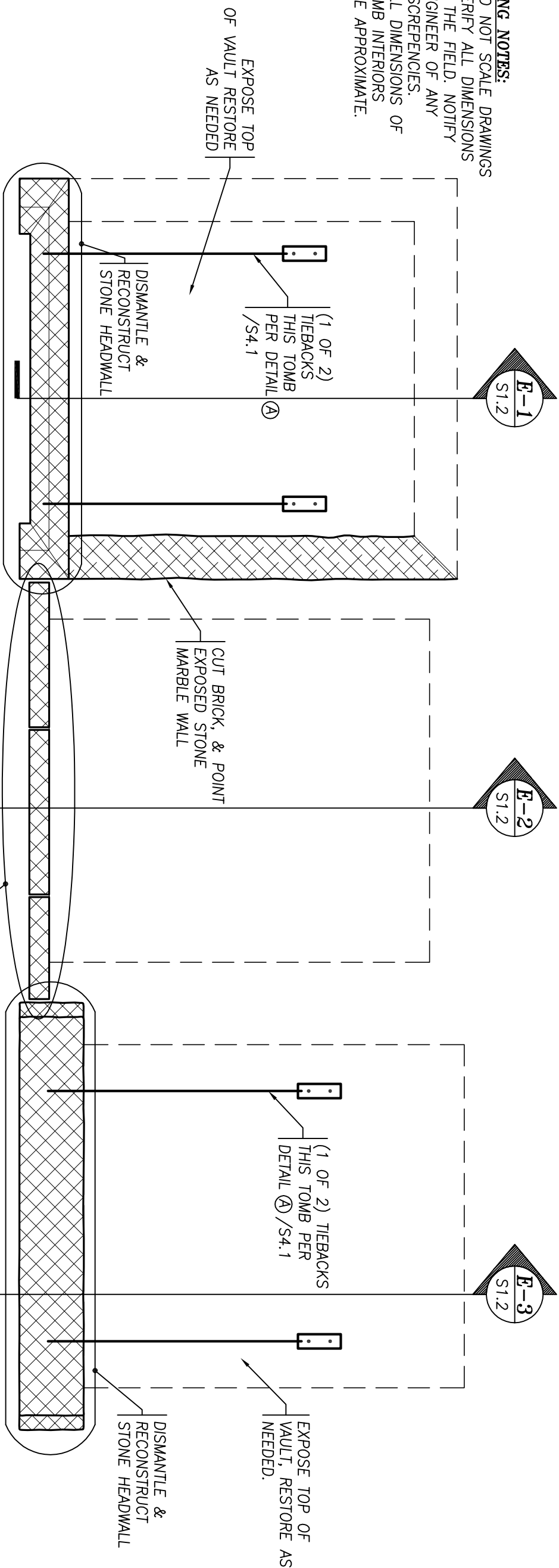
NOTE: ALL WORK AT THIS BURIAL GROUND TO BE PROVIDED UNDER ALTERNATE #2, #4 OR #5 AS NOTED.

TOMB	SHEET	BASE BID/ALT.	TOMB	SHEET	BASE BID/ALT.
E-A	S1.1	ALT. 4	E-1113	S1.6	ALT. 2
E-B	S1.1	ALT. 4	E-TABLE TOP 1	S1.7	ALT. 5
E-C	S1.1	ALT. 4	E-KENRICK	S1.7	ALT. 5
E-G	S1.3	ALT. 4	E-T JACKSON	S1.8	ALT. 5
E-H	S1.3	ALT. 4	E-S JACKSON	S1.8	ALT. 2
E-I	S1.3	ALT. 2	E-ROGERS	S1.8	ALT. 5
E-211	S1.4	ALT. 5	E-1344	S1.9	ALT. 2
E-220	S1.4	ALT. 5	E-1344	S1.9	ALT. 2
E-1047	S1.5	ALT. 2	E-1346	S1.9	ALT. 2

DRWN: PN	PROJECT NAME:
DATE: 04-19-11	<h2>HISTORIC NEWTON BURYING GROUNDS</h2> <h3>NEWTON, MASSACHUSETTS</h3>
SCALE: NTS	
CHECKED BY: JMW	
<h1>S1.0</h1>	

  
**Structures North**  
 CONSULTING ENGINEERS, INC.  
 Salem, Massachusetts  
 60 Washington St., Suite 401  
 Salem, MA, 01970-5517  
 T 978.745.6817 F 978.745.6887  
 www.structures-north.com

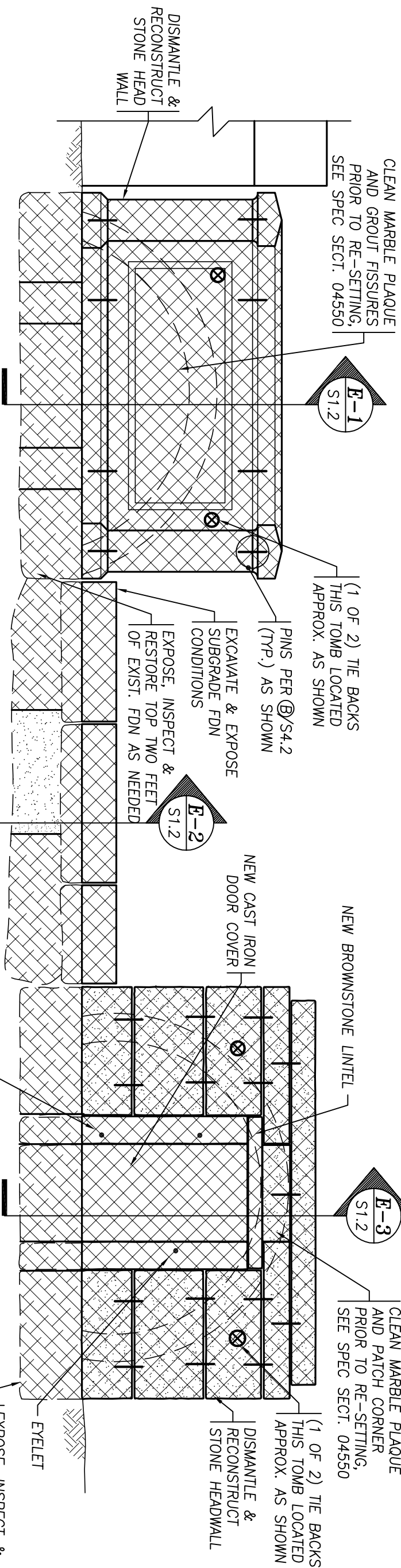
- DRAWING NOTES:**
1. DO NOT SCALE DRAWINGS
  2. VERIFY ALL DIMENSIONS IN THE FIELD. NOTIFY ENGINEER OF ANY DISCREPANCIES.
  3. ALL DIMENSIONS OF TOMB INTERIORS ARE APPROXIMATE.



**E-C PLAN**  
 $\frac{3}{8}'' = 1'-0''$  (ALT. #4)

**E-B PLAN**  
 $\frac{3}{8}'' = 1'-0''$  (ALT. #4)

**E-A PLAN**  
 $\frac{3}{8}'' = 1'-0''$  (ALT. #4)



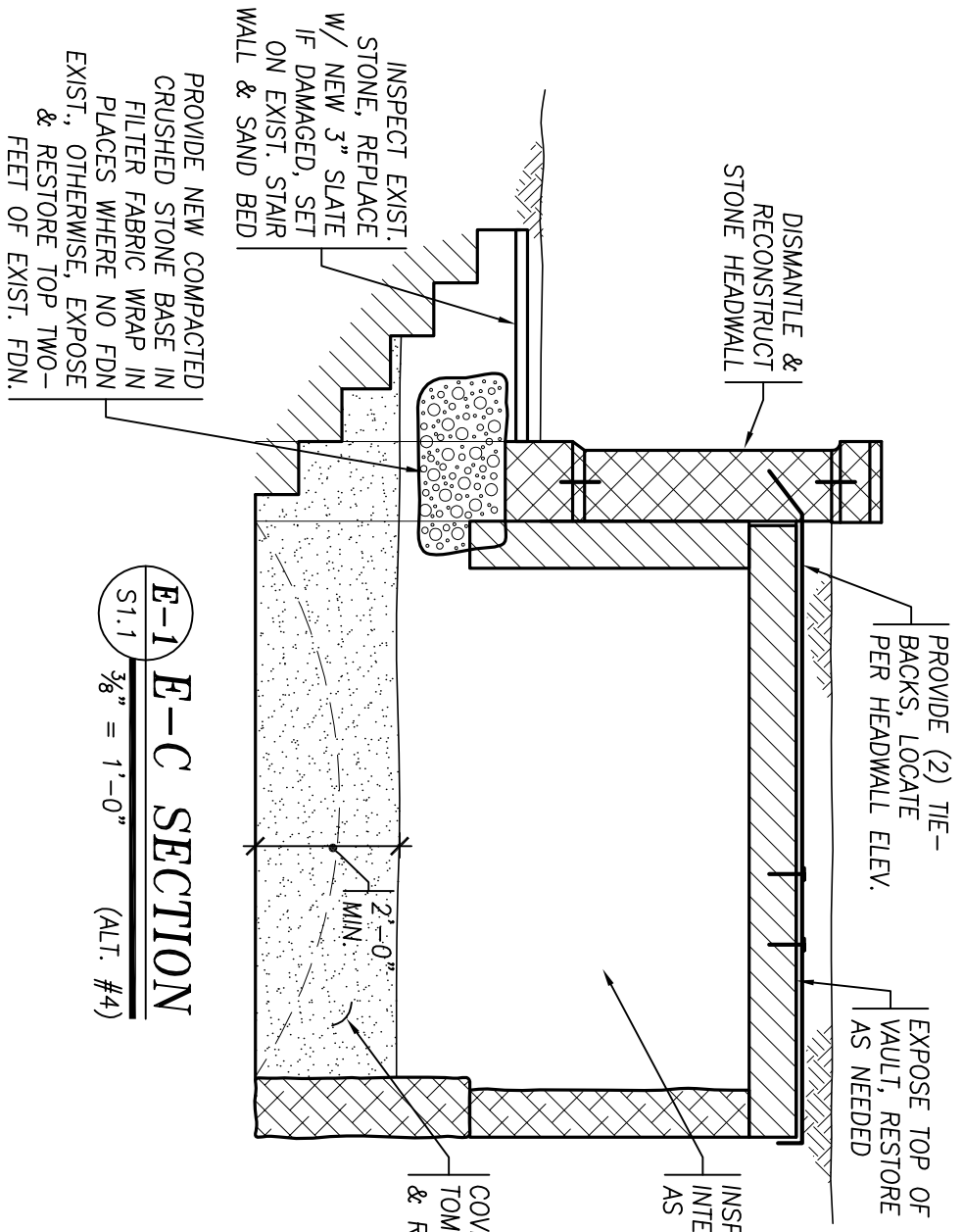
**E-C ELEVATION**  
 $\frac{3}{8}'' = 1'-0''$  (ALT. #4)

**E-B ELEVATION**  
 $\frac{3}{8}'' = 1'-0''$  (ALT. #4)

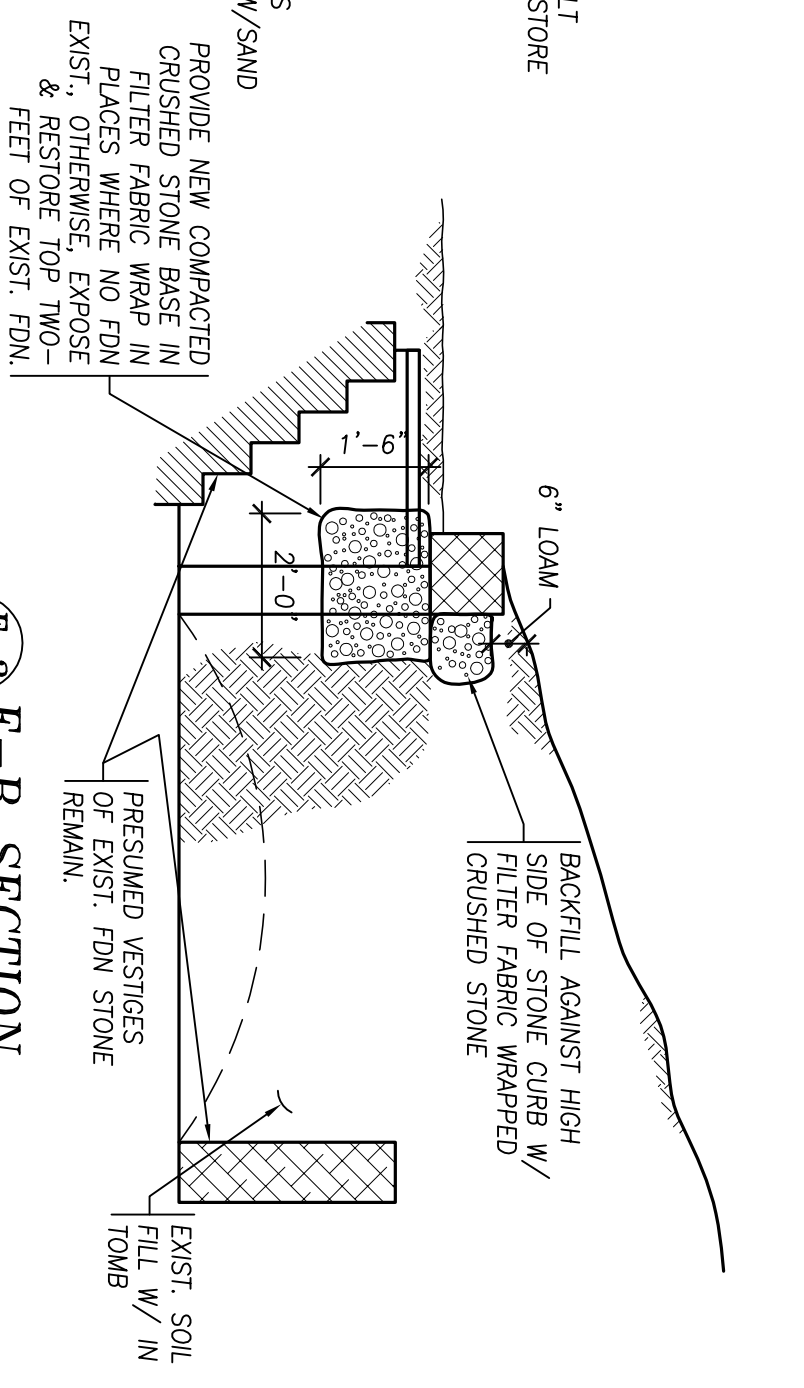
**E-A ELEVATION**  
 $\frac{3}{8}'' = 1'-0''$  (ALT. #4)

PROJECT NAME:

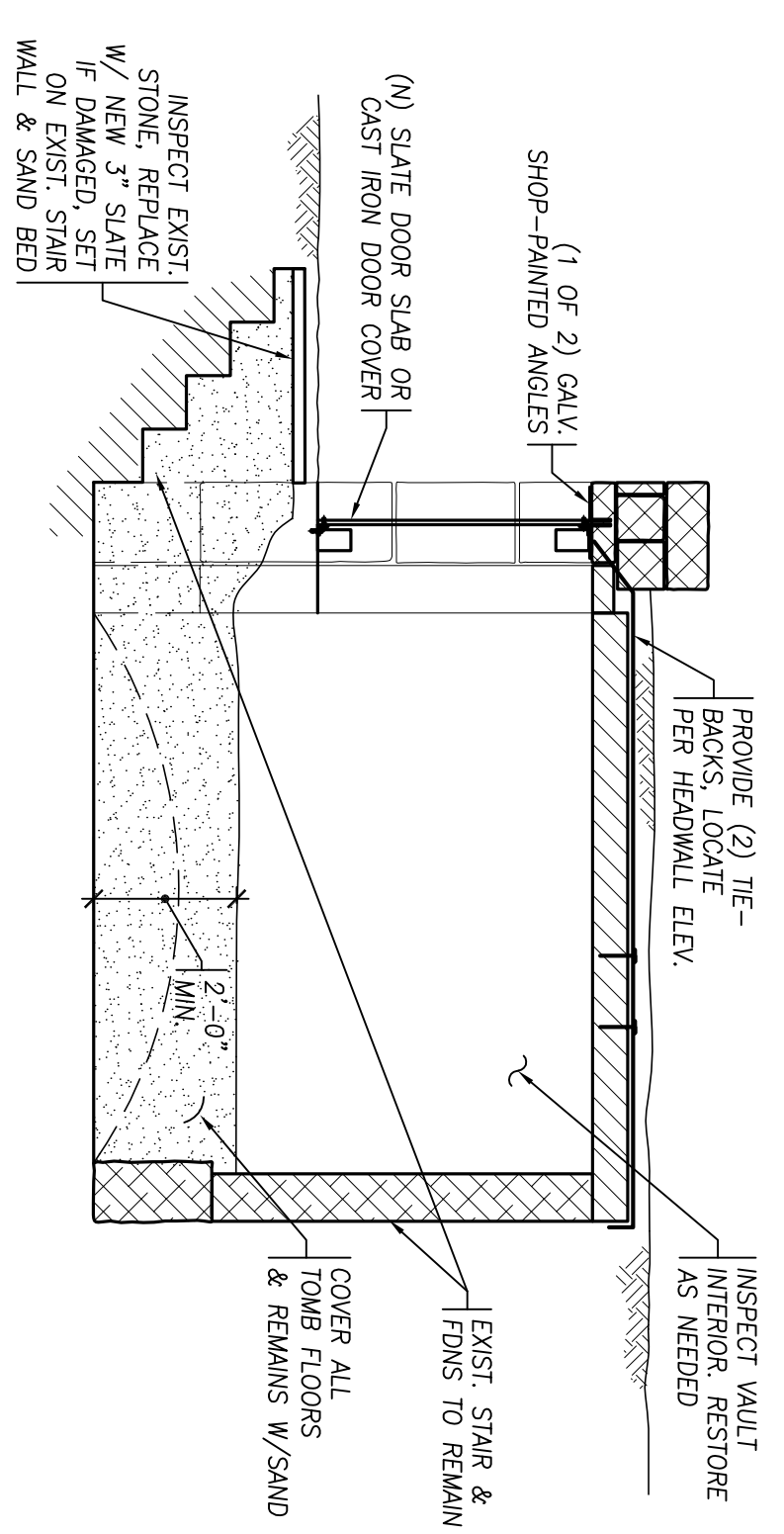
DRWN: PN/SB  
 DATE: 04-19-11  
 SCALE: AS NOTED  
 CHECKED BY: JMW



**E-1 E-C SECTION**  
 S1.1  $\frac{3}{8}'' = 1'-0''$  (ALT. #4)

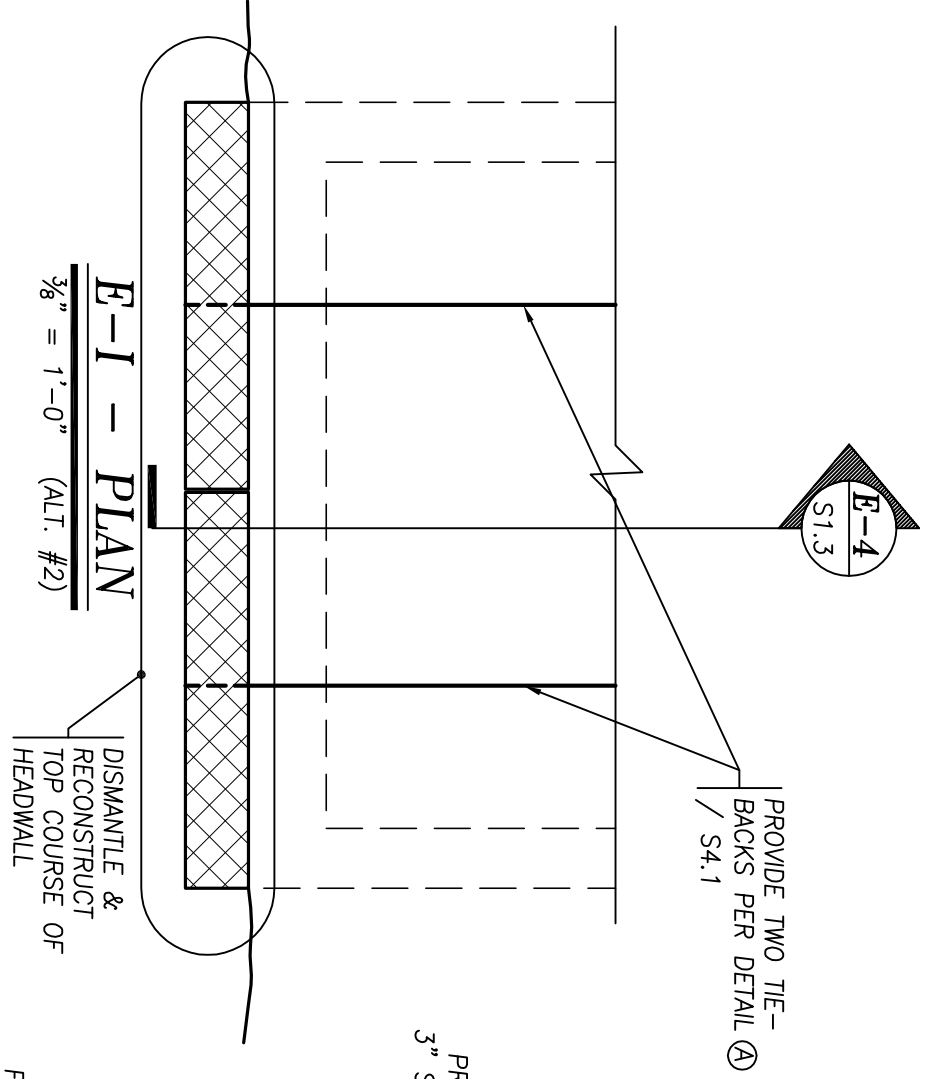


**E-2 E-B SECTION**  
 S1.1  $\frac{3}{8}'' = 1'-0''$  (ALT. #4)

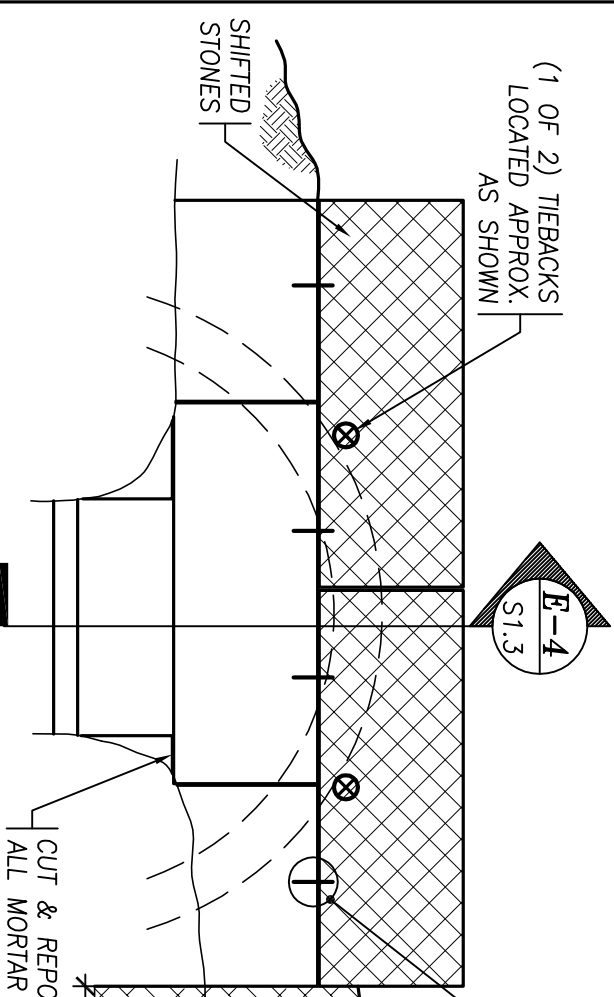


**E-3 E-A SECTION**  
 S1.1  $\frac{3}{8}'' = 1'-0''$  (ALT. #4)

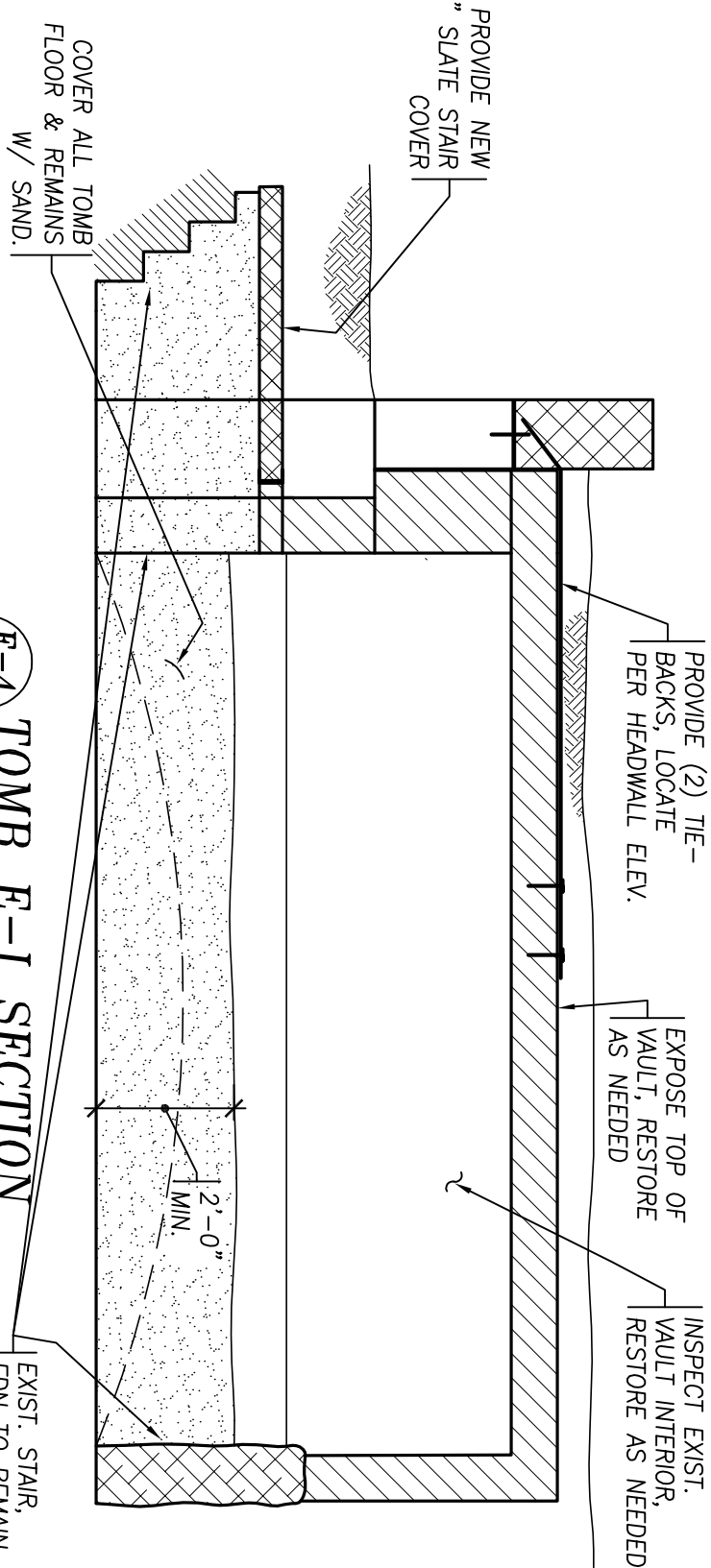
- DRAWING NOTES:**
1. DO NOT SCALE DRAWINGS
  2. VERIFY ALL DIMENSIONS IN THE FIELD. NOTIFY ENGINEER OF ANY DISCREPANCIES.
  3. ALL DIMENSIONS OF TOMB INTERIORS ARE APPROXIMATE.



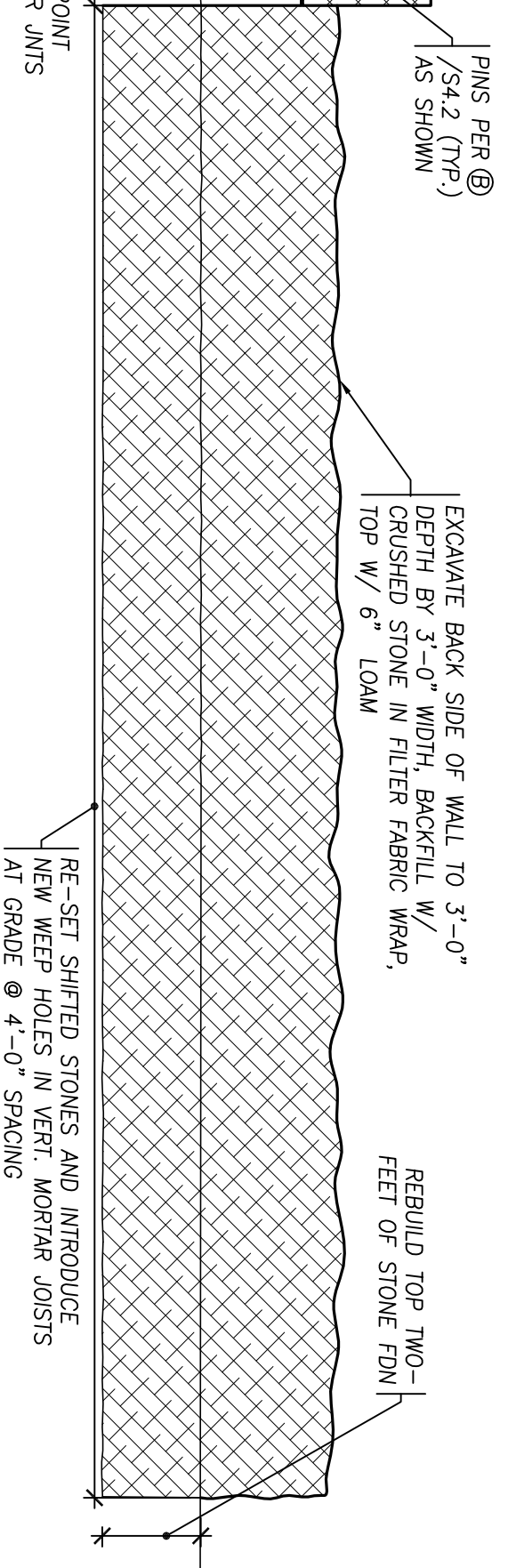
**E-I - PLAN**  
 $\frac{3}{8}'' = 1'-0''$  (ALT. #2)



**E-I FRONT ELEVATION**  
 $\frac{3}{8}'' = 1'-0''$  (ALT. #2)



**E-4 S1.3 TOMB E-I SECTION**  
 $\frac{3}{8}'' = 1'-0''$  (ALT. #2)



**E-G & E-H FRONT ELEVATION**  
 $\frac{3}{8}'' = 1'-0''$  (ALT. #4)

- DRAWING NOTES:**
1. DO NOT SCALE DRAWINGS
  2. VERIFY ALL DIMENSIONS IN THE FIELD. NOTIFY ENGINEER OF ANY DISCREPANCIES.
  3. ALL DIMENSIONS OF TOMB INTERIORS ARE APPROXIMATE.

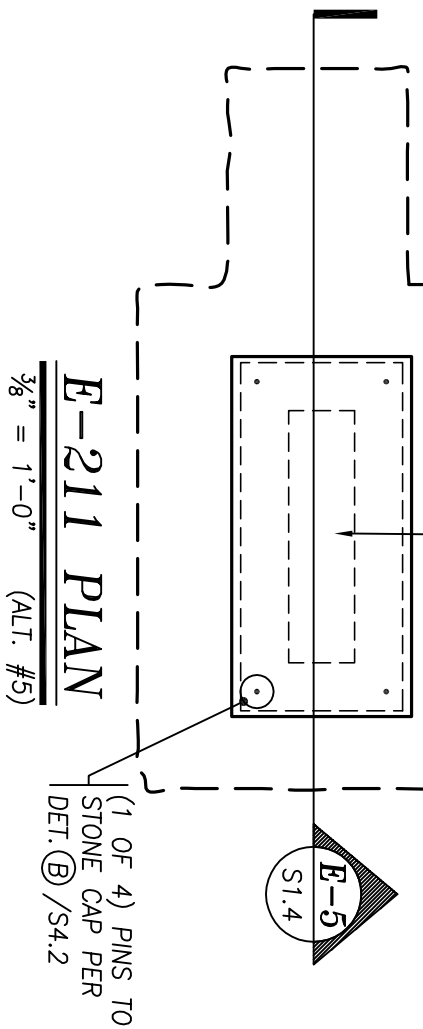
**HISTORIC NEWTON BURYING GROUNDS  
 NEWTON, MASSACHUSETTS**

**Structures North**  
 CONSULTING ENGINEERS, INC.  
 Salem | Hartford  
 60 Washington St., Suite 401  
 Salem, MA, 01970-5517  
 T 978.745.6817 | F 978.745.6807  
 www.structures-north.com

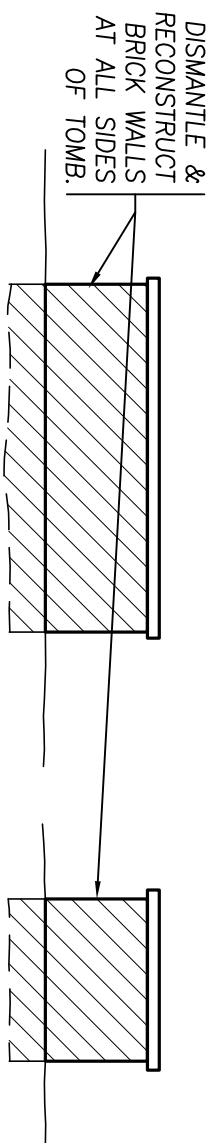
PROJECT NAME:	DRWN: SB/PN
	DATE: 04-19-11
	SCALE: AS NOTED
	CHECKED BY: JMW
	EAST PARISH ELEVATIONS & SECTIONS
	<b>S1.3</b>

REMOVE AND SALVAGE ALL MARBLE FRAGMENTS. PRE-CONSOLIDATE MARBLE WITH HCT PRIOR TO CLEANING. CLEAN AS SPECIFIED. REATTACH SMALL FRAGMENTS AND GROUT FISSURES. CONSOLIDATE MARBLE SLAB AS SPECIFIED RESET MARBLE SLAB IN TWO PIECES ON FULL MORTAR BED - SLOPE UNITS TO DRAIN WATER FROM SURFACE. FILL SEAM BETWEEN TWO PIECES WITH SPECIFIED JAHN REPAIR MORTAR. SEE SPEC SECTION 04550

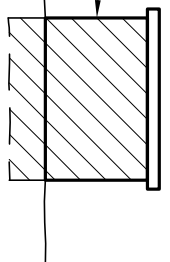
EXPOSE TOP OF VAULT, RESTORE AS NEEDED



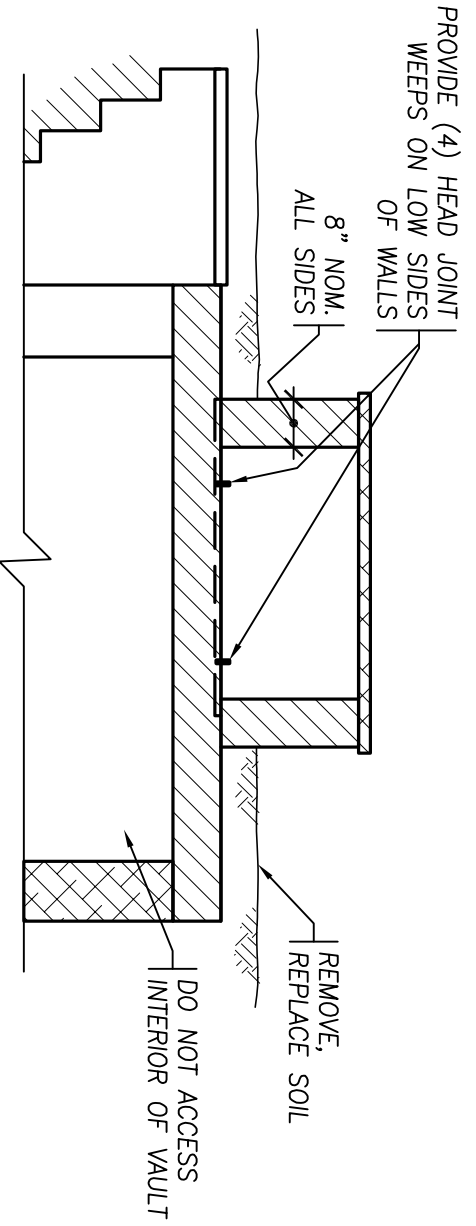
**E-211 PLAN**  
 $\frac{3}{8}'' = 1'-0''$  (ALT. #5)



**E-211 SIDE ELEVATION**  
 $\frac{3}{8}'' = 1'-0''$  (ALT. #5)



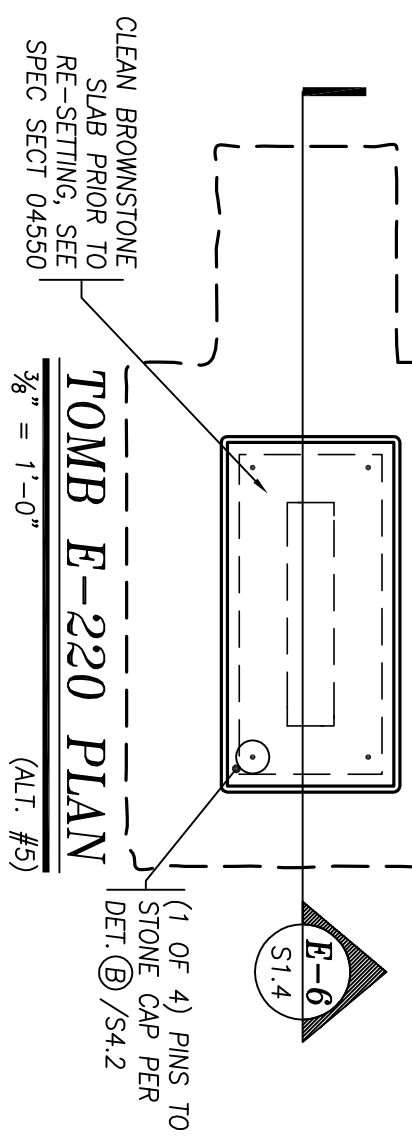
**E-211 END ELEVATION**  
 $\frac{3}{8}'' = 1'-0''$  (ALT. #5)



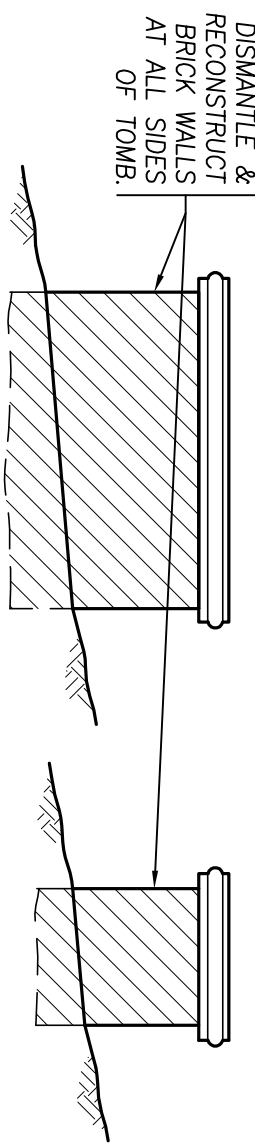
**E-5 SECTION**  
 $\frac{3}{8}'' = 1'-0''$  (ALT. #5)

- DRAWING NOTES:**
1. DO NOT SCALE DRAWINGS
  2. VERIFY ALL DIMENSIONS IN THE FIELD. NOTIFY ENGINEER OF ANY DISCREPANCIES.
  3. ALL DIMENSIONS OF TOMB INTERIORS ARE APPROXIMATE.

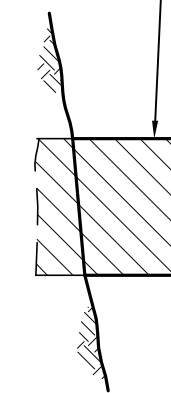
EXPOSE TOP OF VAULT, RESTORE AS NEEDED



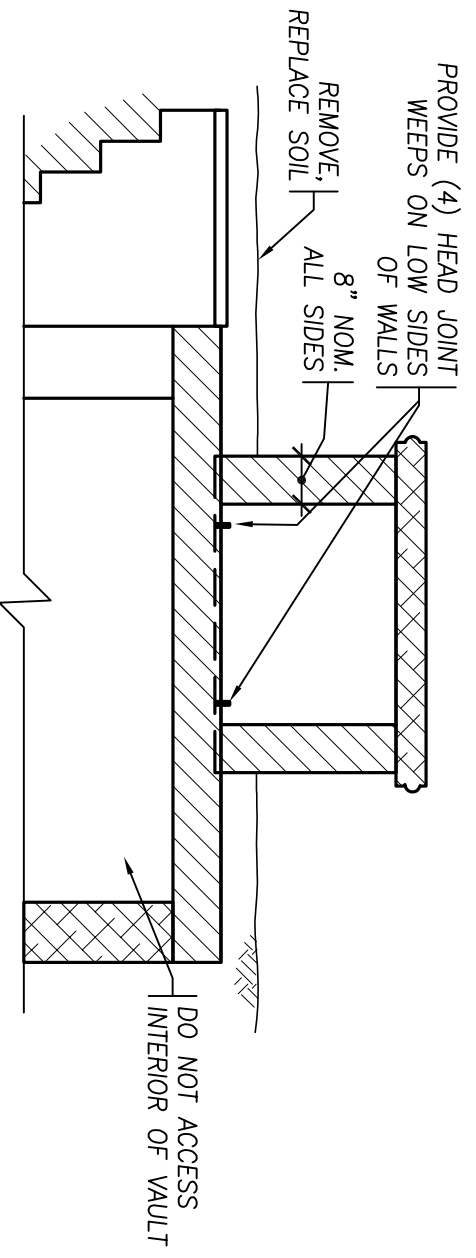
**TOMB E-220 PLAN**  
 $\frac{3}{8}'' = 1'-0''$  (ALT. #5)



**E-220 SIDE ELEVATION**  
 $\frac{3}{8}'' = 1'-0''$  (ALT. #5)



**E-220 END ELEVATION**  
 $\frac{3}{8}'' = 1'-0''$  (ALT. #5)



**E-6 SECTION**  
 $\frac{3}{8}'' = 1'-0''$  (ALT. #5)

**HISTORIC NEWTON BURYING GROUNDS  
 NEWTON, MASSACHUSETTS**

**Structures North**  
 CONSULTING ENGINEERS, INC.  
 Salem, MA  
 60 Washington St., Suite 401  
 Salem, MA, 01970-5517  
 T 978.745.8817 | F 978.745.8887  
 www.structures-north.com

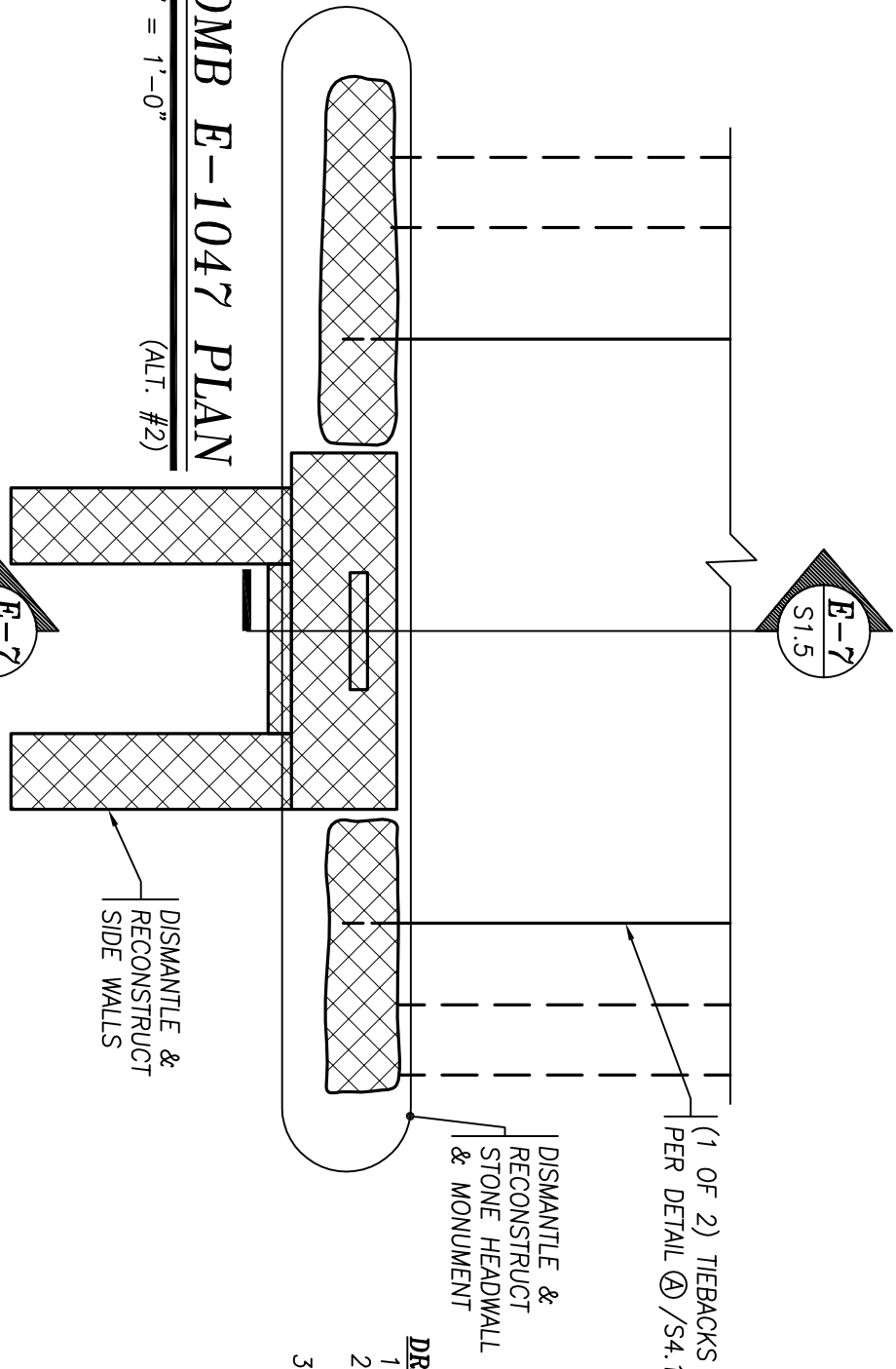
PROJECT NAME:

DRWN: PN/SB  
 DATE: 04-19-11  
 SCALE: AS NOTED  
 CHECKED BY: JMW

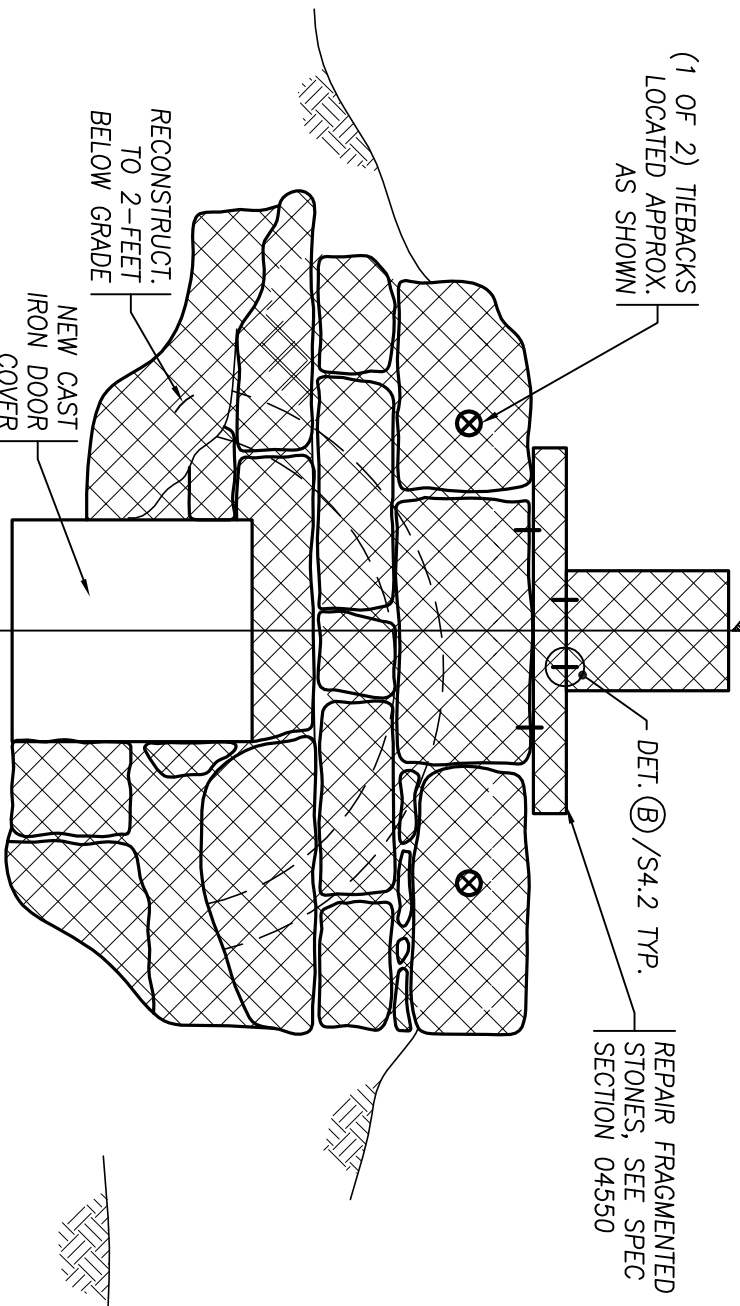
EAST PARISH  
 E-211 & E-220

S1.4

**TOMB E-1047 PLAN**  
 (ALT. #2)  
 $\frac{3}{8}'' = 1'-0''$



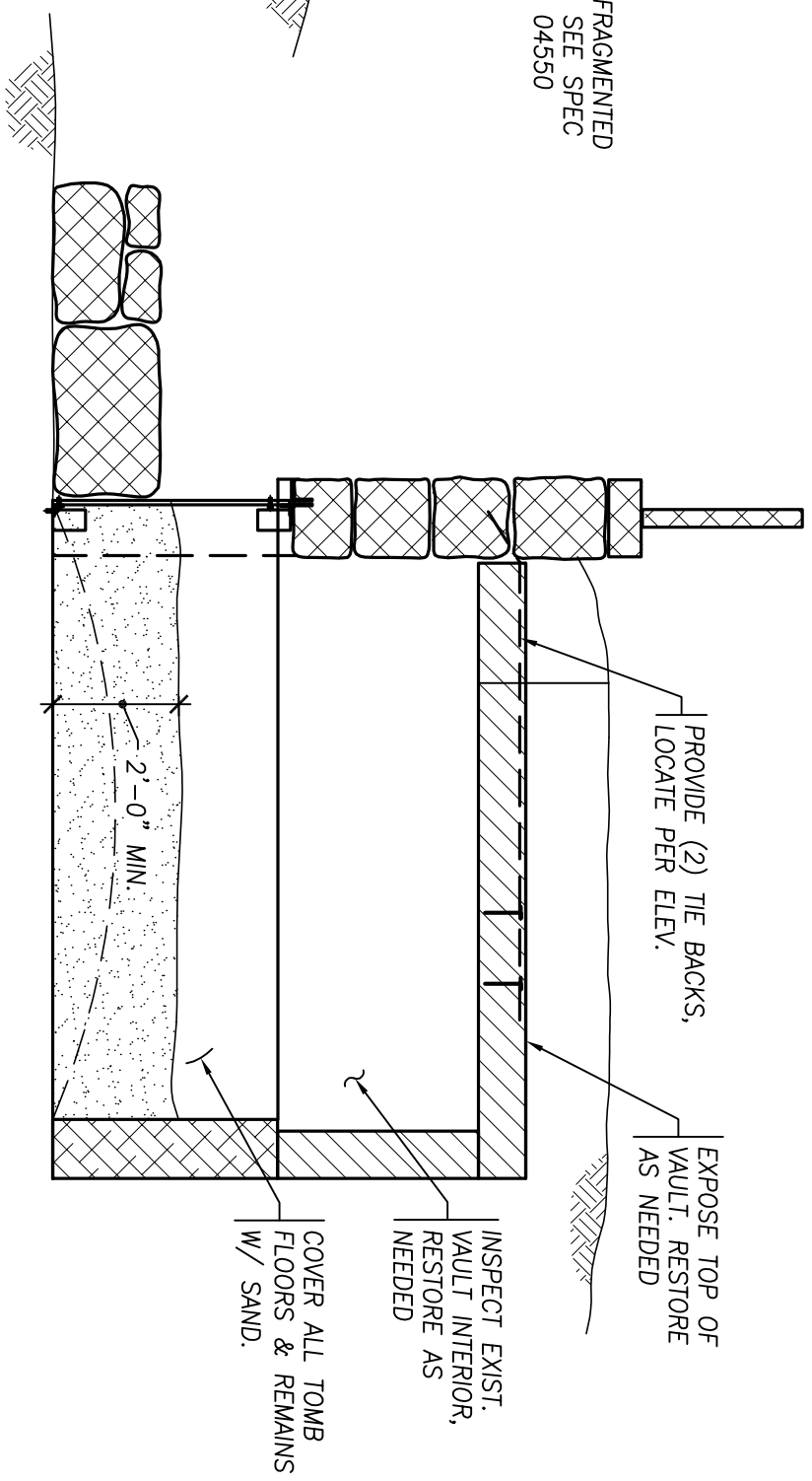
- DRAWING NOTES:**
1. DO NOT SCALE DRAWINGS
  2. VERIFY ALL DIMENSIONS IN THE FIELD. NOTIFY ENGINEER OF ANY DISCREPANCIES.
  3. ALL DIMENSIONS OF TOMB INTERIORS ARE APPROXIMATE.



**TOMB E-1047 ELEVATION**  
 (ALT. #2)  
 $\frac{3}{8}'' = 1'-0''$

NOTE: REMOVE EXISTING TREE IN FRONT OF TOMB (NOT SHOWN), ROOT BALL AND FILL HOLE. SHORE TOMB WALL DURING REMOVAL AND EXCAVATION.

**TOMB E-1047 SECTION**  
 (ALT. #2)  
 $\frac{3}{8}'' = 1'-0''$



**HISTORIC NEWTON BURYING GROUNDS**  
 NEWTON, MASSACHUSETTS

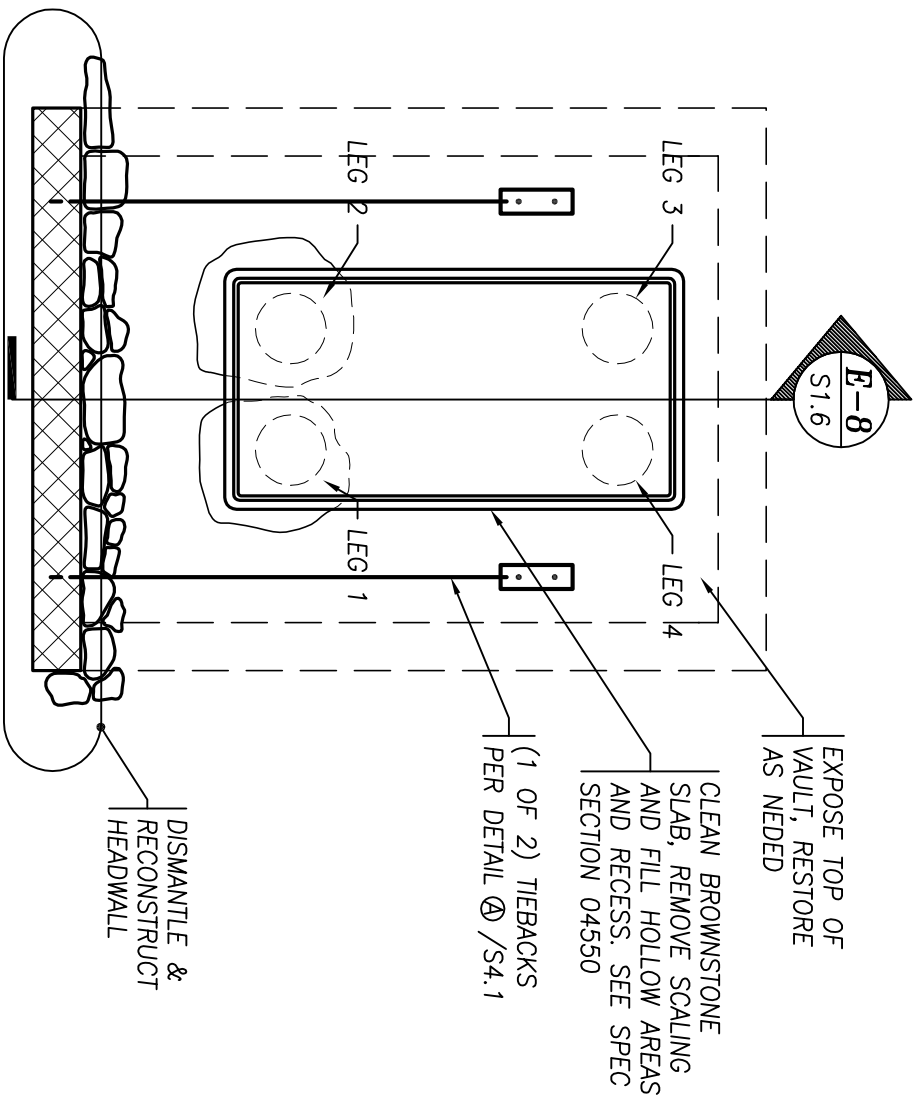
**Structures North**  
 CONSULTING ENGINEERS, INC.  
 Salem | Hartford  
 60 Washington St., Suite 401  
 Salem, MA, 01970-5517  
 T 978.745.8817 | F 978.745.8887  
 www.structures-north.com

PROJECT NAME:

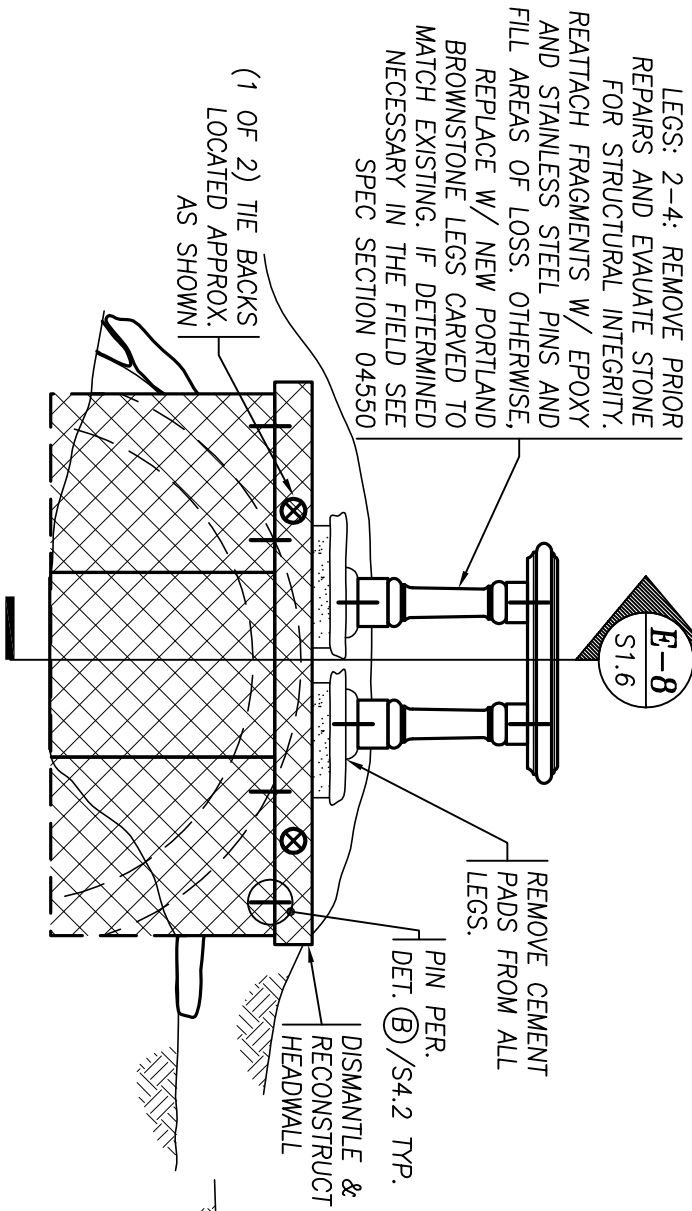
DRWN: PN/SB  
 DATE: 04-19-11  
 SCALE: AS NOTED  
 CHECKED BY: JMW

EAST PARISH  
 E-1047

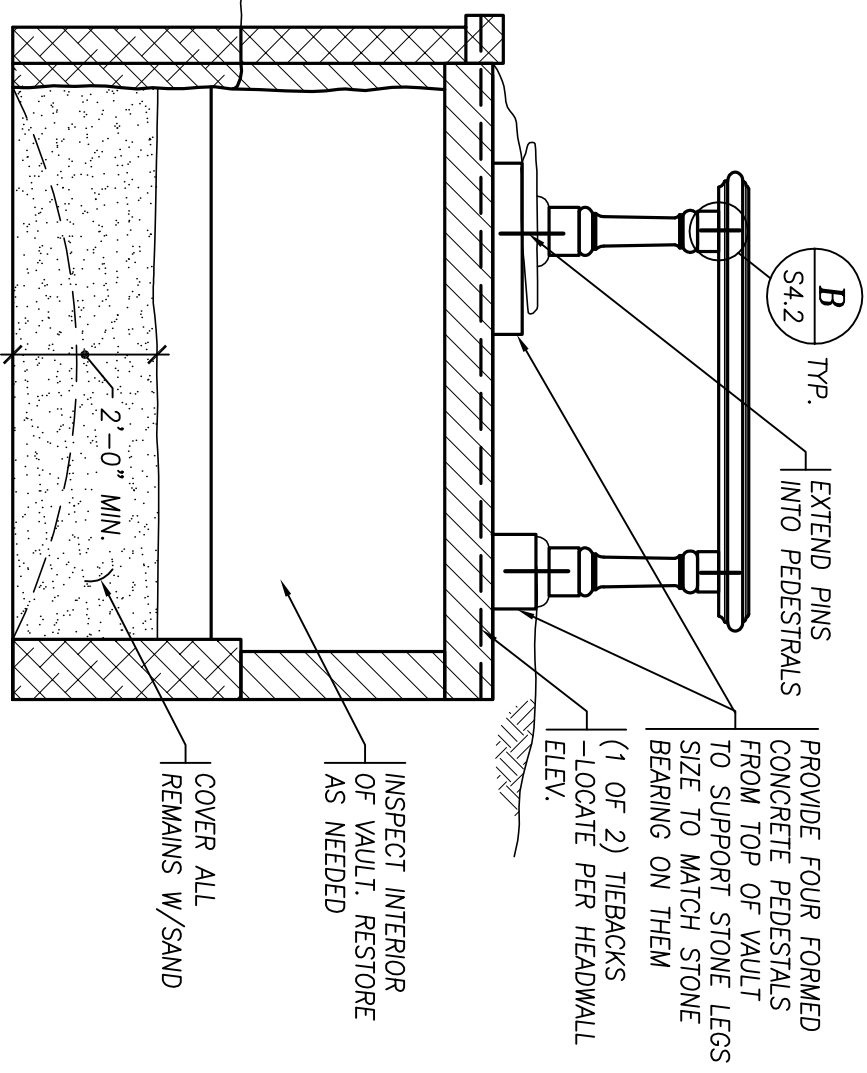
S1.5



**E-1113 PLAN**  
 $\frac{3}{8}'' = 1'-0''$  (ALT. #2)



**E-1113 FRONT ELEVATION**  
 $\frac{3}{8}'' = 1'-0''$  (ALT. #2)



**E-1113 SECTION**  
 $\frac{3}{8}'' = 1'-0''$  (ALT. #2)

- DRAWING NOTES:**
1. DO NOT SCALE DRAWINGS
  2. VERIFY ALL DIMENSIONS IN THE FIELD. NOTIFY ENGINEER OF ANY DISCREPANCIES.
  3. ALL DIMENSIONS OF TOMB INTERIORS ARE APPROXIMATE.

**DRAWING NOTES:**

1. DO NOT SCALE DRAWINGS
2. VERIFY ALL DIMENSIONS IN THE FIELD.
3. ALL DIMENSIONS OF TOMB INTERIORS ARE APPROXIMATE.

CLEAN BROWNSTONE SLAB, INJECT AND CAP DELAMINATION, AND FILL CRACKS AND SHALLOW AREAS OF LOSS PRIOR TO RESETTING W/ MORTAR SEE SPEC SECTION 04550

EXPOSE, INSPECT & RESTORE TOP SURFACE OF VAULT AS NEEDED

(1 OF 4) DET. ⓑ / S4.2 TO CAP SLAB

**E10**  
S1.8

EXPOSE, INSPECT & RESTORE TOP SURFACE OF VAULT AS NEEDED

(1 OF 4) DET. ⓑ / S4.2 TO CAP SLAB

**E11**  
S1.8

RESET SLAB COVER W/ MORTAR

**E-KENRICK - PLAN**  
3/8" = 1'-0" (ALT. #5)

**E-TABLE TOP 1 - PLAN**  
3/8" = 1'-0" (ALT. #5)

DISMANTLE & RECONSTRUCT TABLE TOP

REPAIR BROKEN STONE, SEE SPEC SECTION 04550

**E-KENRICK - END ELEVATION**  
3/8" = 1'-0" (ALT. #5)

**E-KENRICK - SIDE ELEVATION**  
3/8" = 1'-0" (ALT. #5)

**E-TABLE TOP 1 ELEVATION**  
3/8" = 1'-0" (ALT. #5)

**E-TABLE TOP 1 SIDE ELEVATION**  
3/8" = 1'-0" (ALT. #5)

8" NOM. ALL SIDES  
(1 OF 4) HEAD JOINT WEEPS AT LOW SIDES OF WALL

DET. ⓑ / S4.2 AT (4) LOC'NS

DO NOT ACCESS INTERIOR OF VAULT

(1 OF 4) BED JOINT WEEPS AT LOW SIDES OF WALLS

DO NOT ACCESS INTERIOR OF VAULT

**E10 E-TABLE TOP 1 SECTION**  
3/8" = 1'-0" (ALT. #5)

**E11 E-KENRICK SECTION**  
3/8" = 1'-0" (ALT. #5)

**HISTORIC NEWTON BURYING GROUNDS  
NEWTON, MASSACHUSETTS**

**Structures North**  
CONSULTING ENGINEERS, INC.  
Salem | Hartford  
60 Washington St., Suite 401  
Salem, MA, 01970-5517  
T 978.745.8817 | F 978.745.8887  
www.structures-north.com

PROJECT NAME:

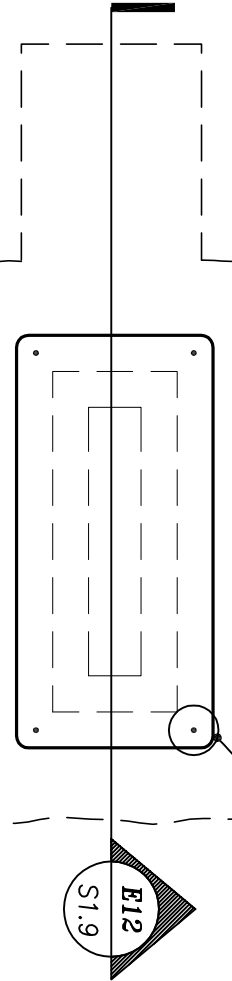
DRWN: SB/PN  
DATE: 04-19-11  
SCALE: AS NOTED  
CHECKED BY: JMW

EAST PARISH  
ELEVATIONS  
& SECTIONS

**S1.7**



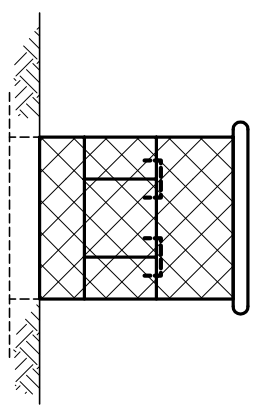
(1 OF 4) PINS TO STONE  
PER DET. @/S4.2



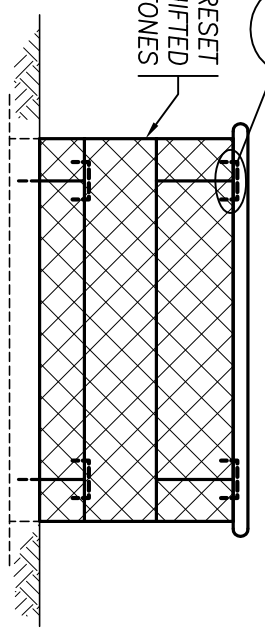
**E-T JACKSON PLAN**  
3/8" = 1'-0"  
(ALT. #5)

- DRAWING NOTES:**
1. DO NOT SCALE DRAWINGS
  2. VERIFY ALL DIMENSIONS IN THE FIELD. NOTIFY ENGINEER OF ANY DISCREPANCIES.
  3. ALL DIMENSIONS OF TOMB INTERIORS ARE APPROXIMATE.

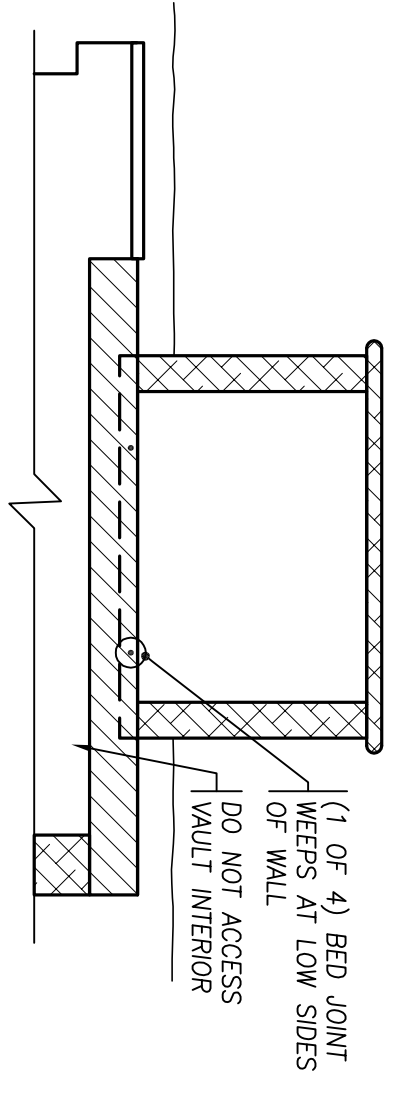
EXPOSE, INSPECT TOP OF VAULT, RESTORE AS NEEDED



**E-T JACKSON END ELEVATION**  
3/8" = 1'-0"  
(ALT. #5)



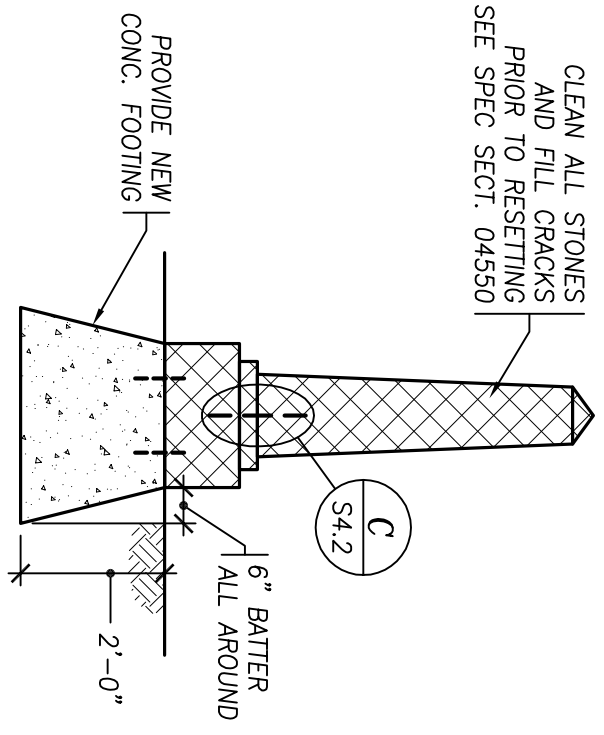
**E-T JACKSON SIDE ELEVATION**  
3/8" = 1'-0"  
(ALT. #5)



**E12 E-T JACKSON SECTION**  
S1.9 3/8" = 1'-0"  
(ALT. #5)

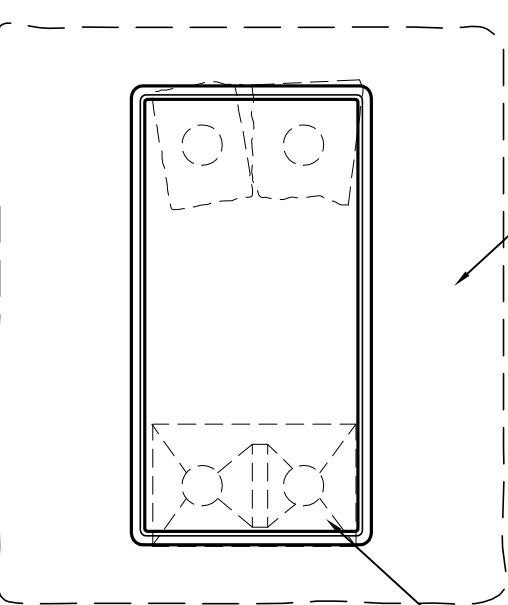
(1 OF 4) BED JOINT WEEPS AT LOW SIDES OF WALL  
DO NOT ACCESS VAULT INTERIOR

CLEAN ALL STONES AND FILL CRACKS PRIOR TO RESETTING SEE SPEC SECT. 04550

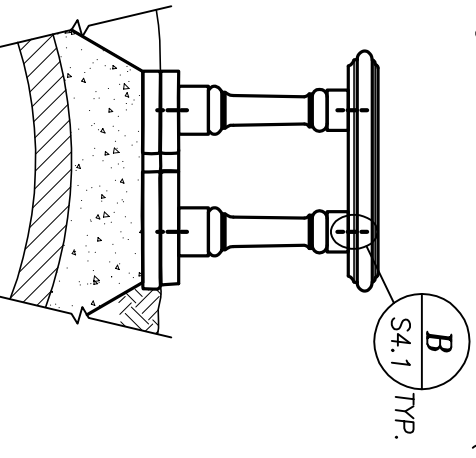


**E-ROGERS ELEVATION**  
3/8" = 1'-0"  
(ALT. #5)

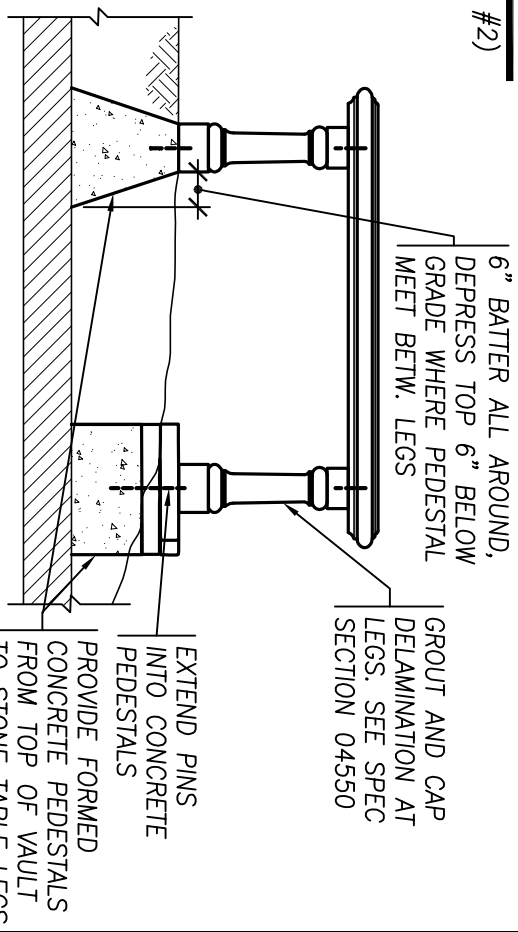
CLEAN BROWNSTONE SLAB AND INJECT AND CAP CRACKS AND FISSURES PRIOR TO RESETTING, SEE SPEC SECTION 04550



**E-S JACKSON PLAN**  
3/8" = 1'-0"  
(ALT. #2)



**E-S JACKSON END ELEVATION**  
3/8" = 1'-0"  
(ALT. #2)



**E-S JACKSON SIDE ELEVATION**  
3/8" = 1'-0"  
(ALT. #2)

6" BATTER ALL AROUND, DEPRESS TOP 6" BELOW GRADE WHERE PEDESTAL MEET BETW. LEGS  
GROUT AND CAP DELAMINATION AT LEGS. SEE SPEC SECTION 04550

EXTEND PINS INTO CONCRETE PEDESTALS  
PROVIDE FORMED CONCRETE PEDESTALS FROM TOP OF VAULT TO STONE TABLE LEGS

**HISTORIC NEWTON BURYING GROUNDS  
NEWTON, MASSACHUSETTS**

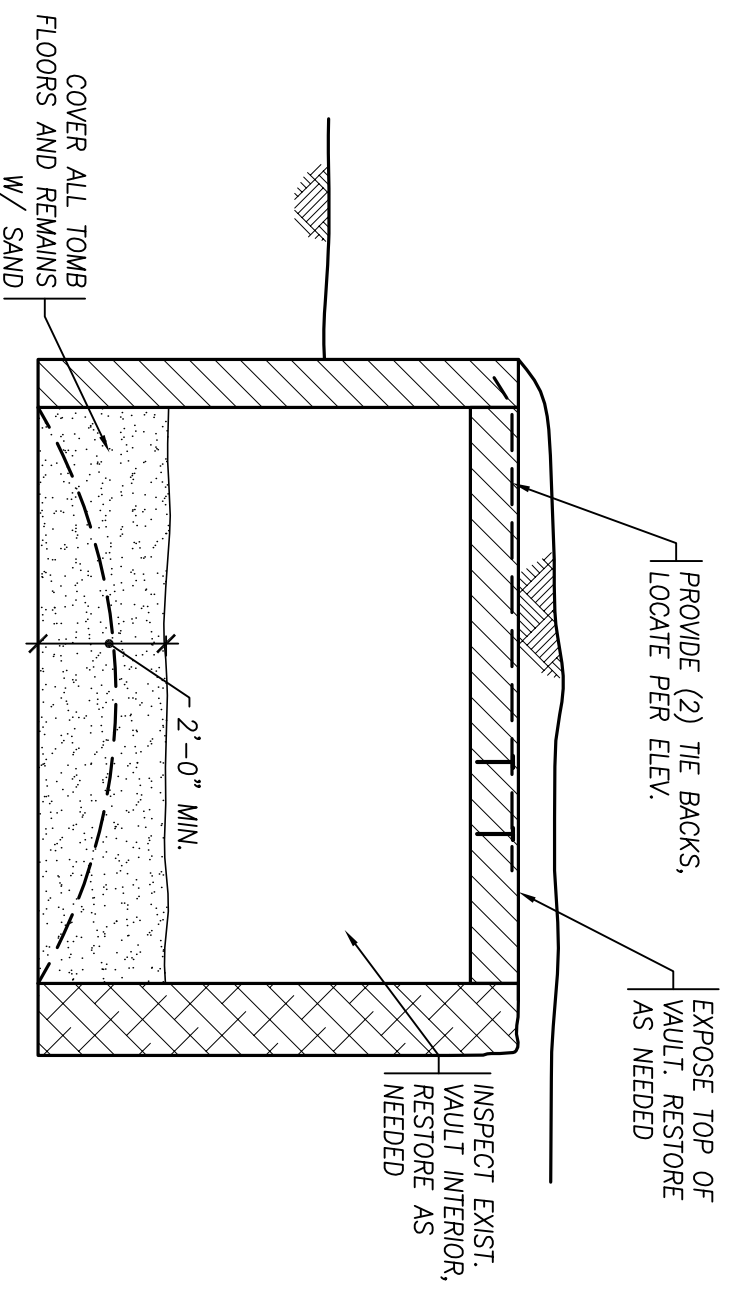
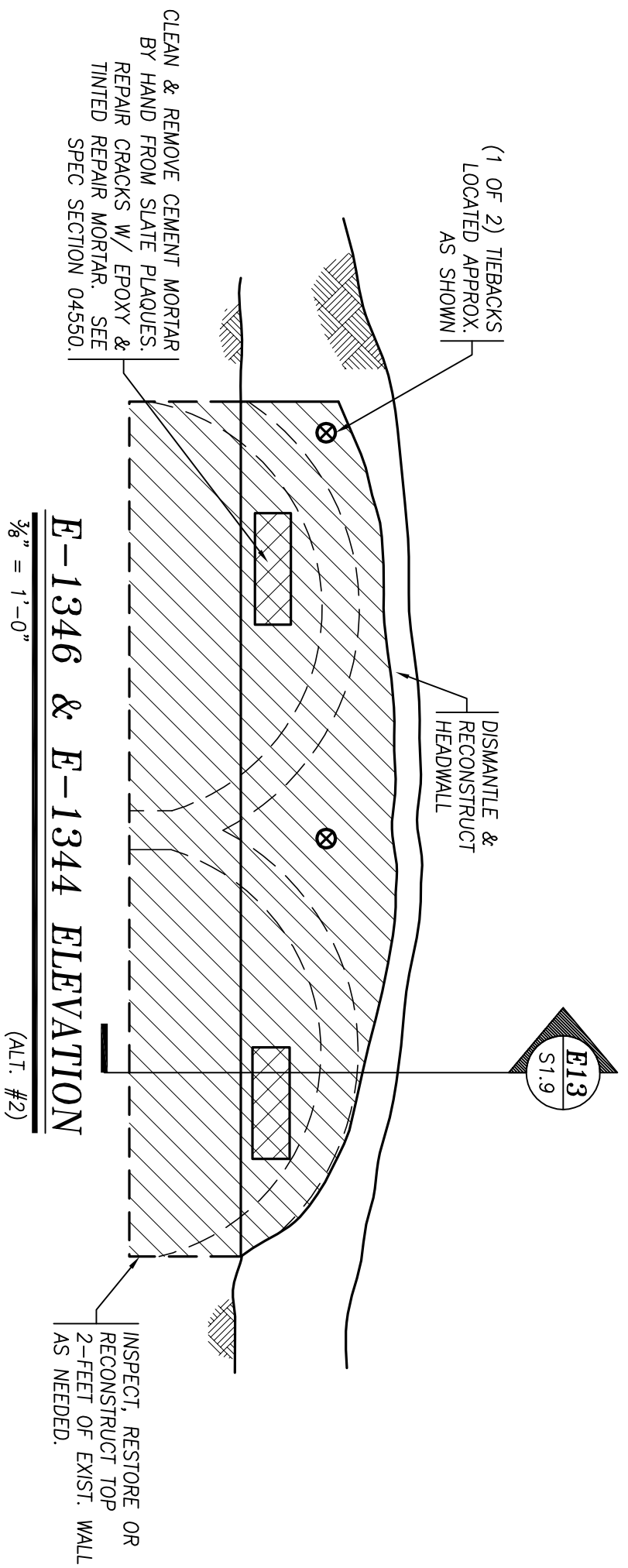
**Structures North**  
CONSULTING ENGINEERS, INC.  
Salem 1 Herford  
60 Washington St., Suite 401  
Salem, MA, 01970-5517  
T 978.745.8817 F 978.745.8887  
www.structures-north.com

PROJECT NAME:

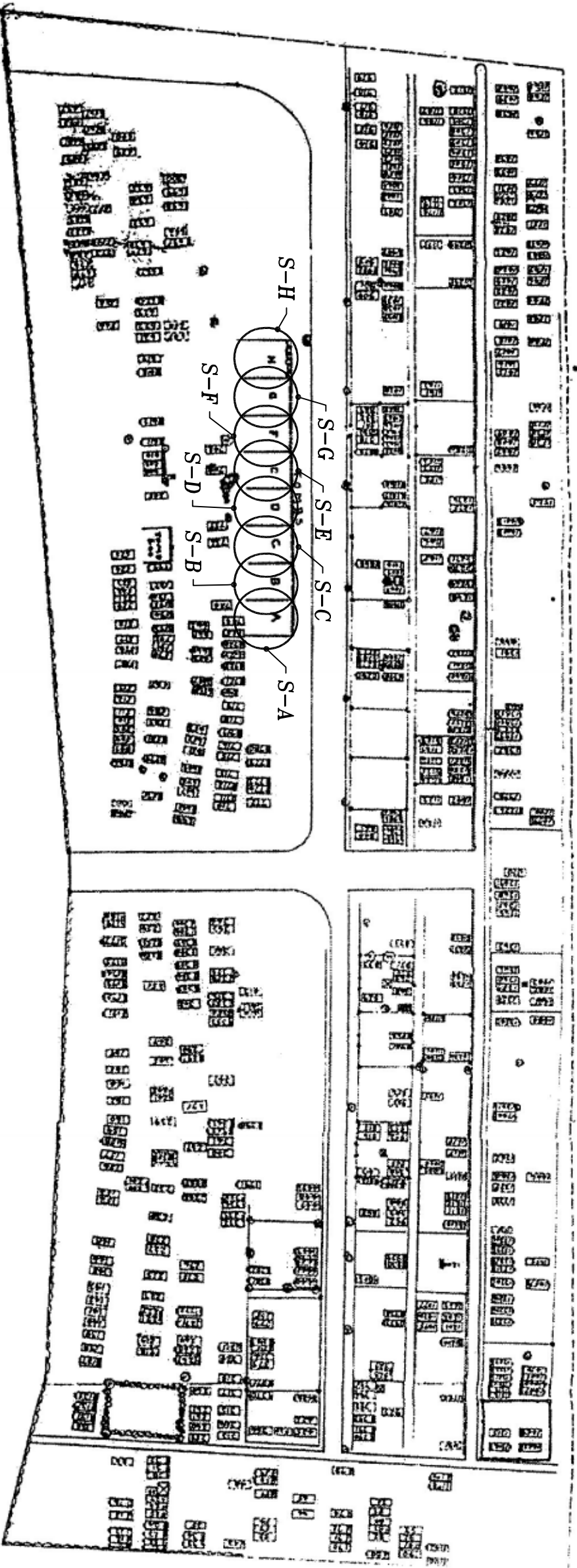
DRWN: SB/PN  
DATE: 04-19-11  
SCALE: AS NOTED  
CHECKED BY: JMW

EAST PARISH  
ELEVATIONS AND  
SECTIONS

**S1.8**

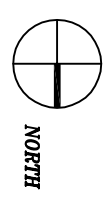


**E13**  
 S1.9  
**E-1346 & E-1344 SECTION**  
 3/8" = 1'-0"  
 (ALT. #2)




**SOUTH PARISH BURYING GROUND**

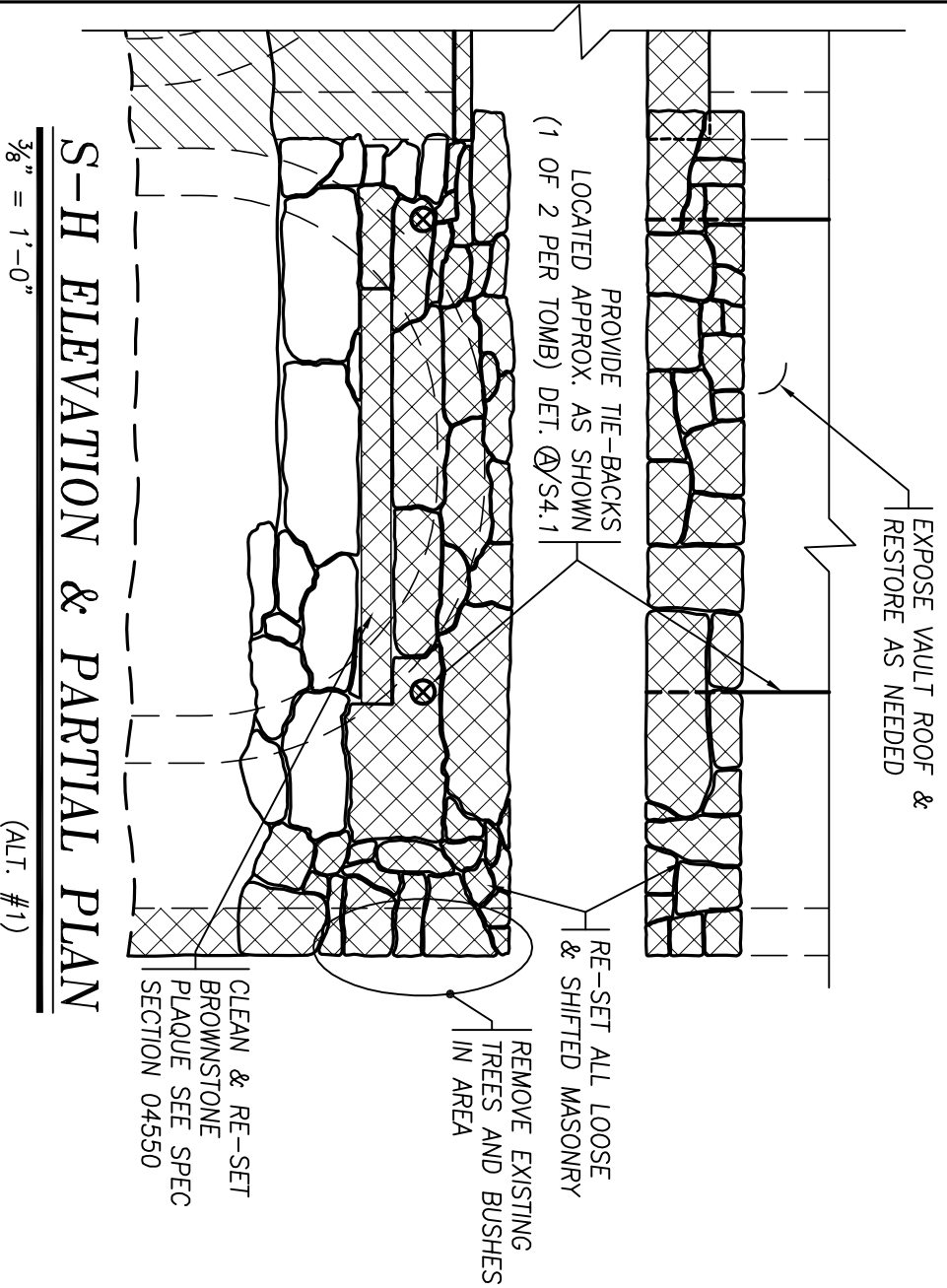
NOTE: ALL WORK ON TOMBS S-A TO S-G TO BE PROVIDED UNDER THE BASE BID.  
 WORK ON TOMB S-H TO BE PROVIDED UNDER ALTERNATE #1.



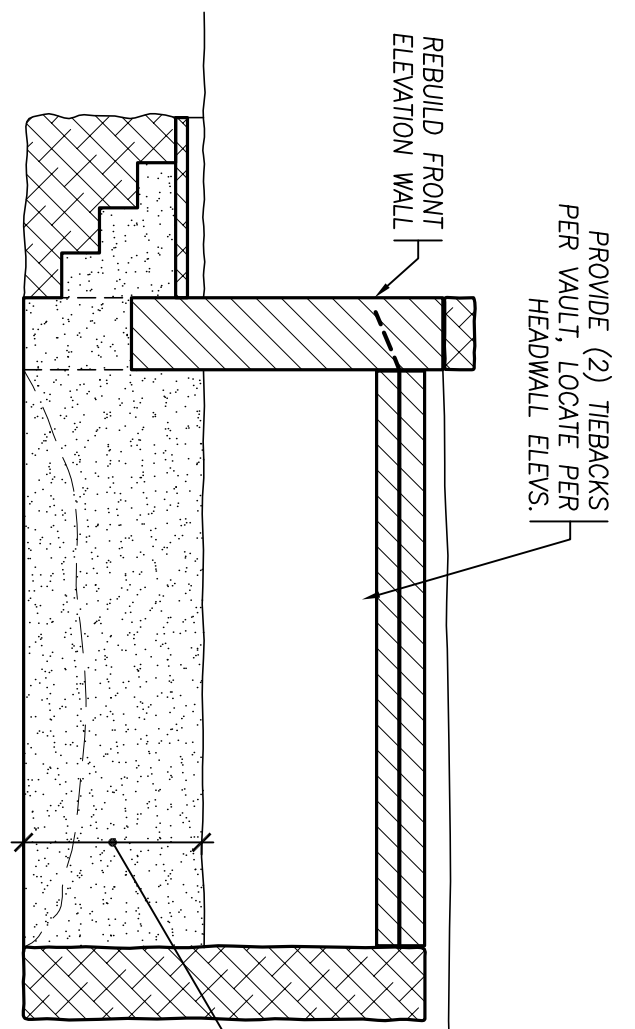
DRWN: PN	PROJECT NAME:
DATE: 04-19-11	<b>HISTORIC NEWTON BURYING GROUNDS</b> <b>NEWTON, MASSACHUSETTS</b>
SCALE: NTS	
CHECKED BY: JMW	
SOUTH PARISH BURYING GROUND <b>S2.0</b>	

  
**Structures North**  
 CONSULTING ENGINEERS, INC.  
 Salem | Hartford  
 60 Washington St., Suite 401  
 Salem, MA, 01970-5517  
 T 978.745.8817 | F 978.745.8887  
 www.structures-north.com

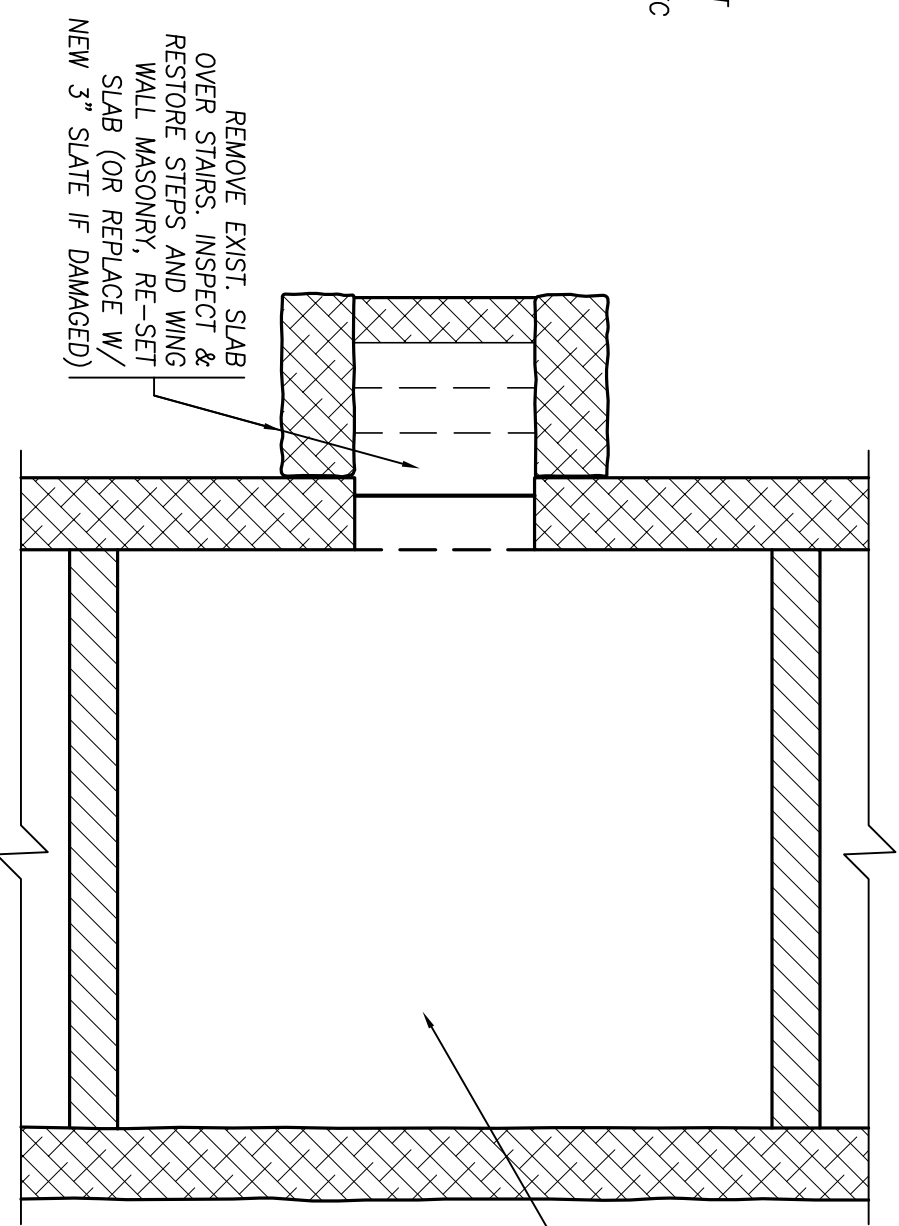




- DRAWING NOTES:**
1. DO NOT SCALE DRAWINGS
  2. VERIFY ALL DIMENSIONS IN THE FIELD. NOTIFY ENGINEER OF ANY DISCREPANCIES.



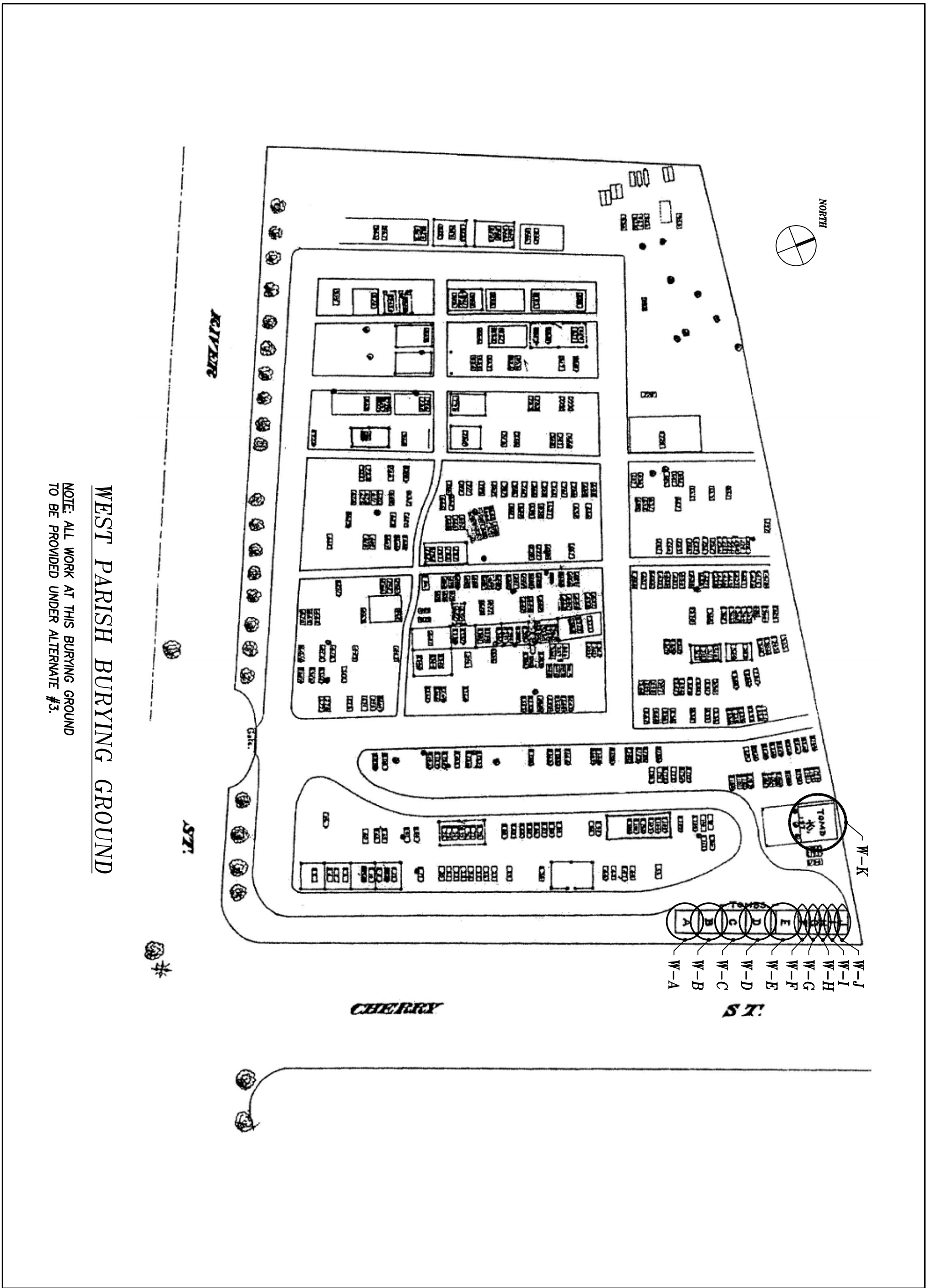
\* AT TOMB S-B A PLASTIC MEMBRANE SHALL BE INSTALLED OVER REMAINS PRIOR TO INSTALLATION OF SAND. SAND & PLASTIC SHALL BE REMOVED AT THE END OF CONSTR.



**HISTORIC NEWTON BURYING GROUNDS  
 NEWTON, MASSACHUSETTS**

**Structures North**  
 CONSULTING ENGINEERS, INC.  
 Salem | Hartford  
 60 Winchester St., Suite 401  
 Salem, MA, 01970-5517  
 T 978.745.8817 | F 978.745.8887  
 www.structures-north.com

PROJECT NAME:	HISTORIC NEWTON BURYING GROUNDS		
DRWN:	PN/SB	DATE:	04-19-11
CHECKED BY:	JMW	SCALE:	AS NOTED
SOUTH PARISH ELEVATION & DETAILS			
<b>S2.2</b>			




**WEST PARISH BURYING GROUND**

NOTE: ALL WORK AT THIS BURYING GROUND TO BE PROVIDED UNDER ALTERNATE #3.

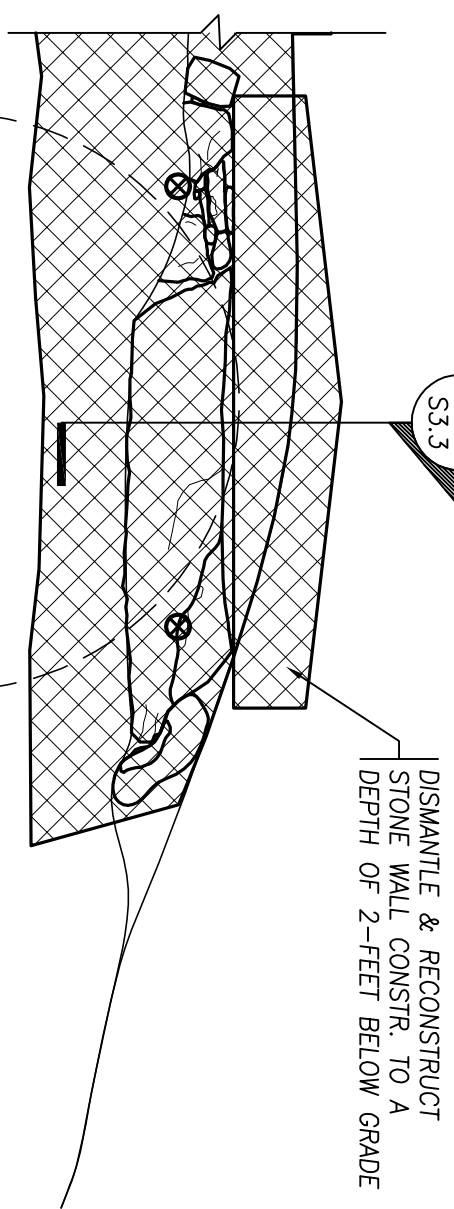
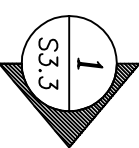
<b>S3.0</b>	DRWN: PN
	DATE: 04-19-11
	SCALE: NTS
	CHECKED BY: JMW

PROJECT NAME:

**HISTORIC NEWTON BURYING GROUNDS  
NEWTON, MASSACHUSETTS**

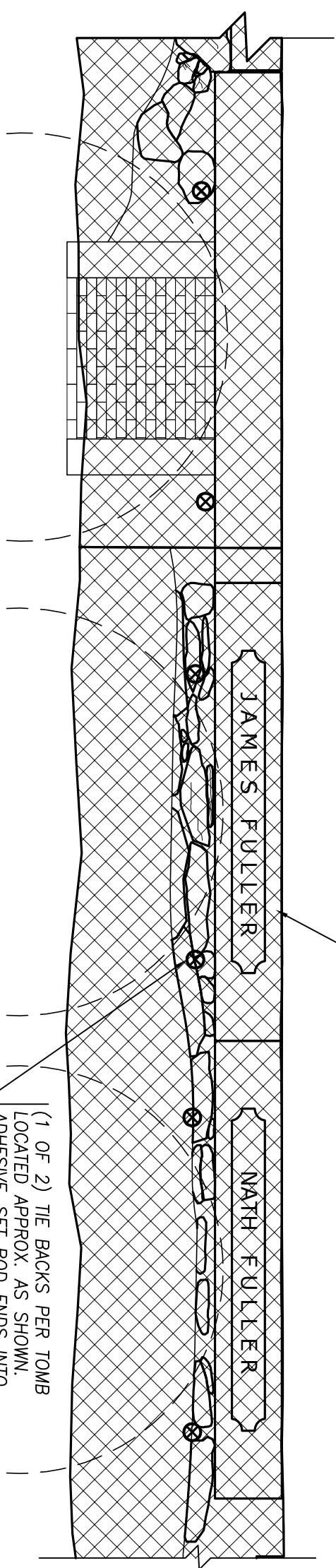
  
**Structures North**  
 CONSULTING ENGINEERS, INC.  
 Salem, Massachusetts  
 60 Washington St., Suite 401  
 Salem, MA, 01970-5517  
 T 978.745.8817 | F 978.745.8887  
 www.structures-north.com

- DRAWING NOTES:**
1. DO NOT SCALE DRAWINGS
  2. VERIFY ALL DIMENSIONS IN THE FIELD. NOTIFY ENGINEER OF ANY DISCREPANCIES.
  3. ALL DIMENSIONS OF TOMB INTERIORS ARE APPROXIMATE.



**W-A ELEVATION**  
 $\frac{3}{8}'' = 1'-0''$

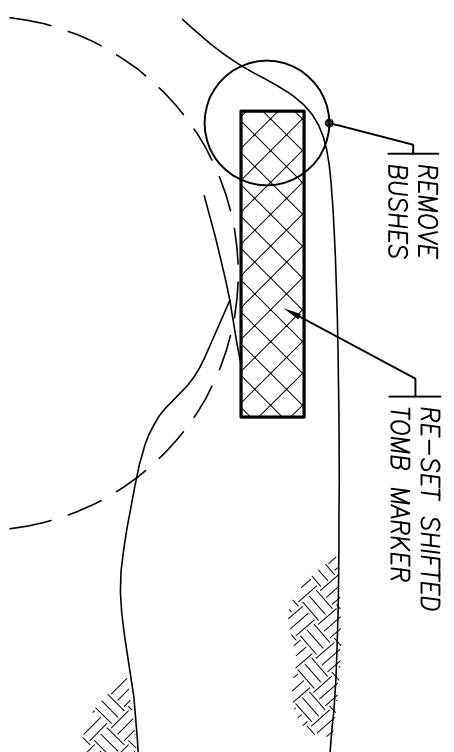
DISMANTLE & RECONSTRUCT  
 STONE WALL CONSTR. TO A  
 DEPTH OF 2- FEET BELOW GRADE



**W-B TO W-D ELEVATION**  
 $\frac{3}{8}'' = 1'-0''$

(1 OF 2) TIE BACKS PER TOMB  
 LOCATED APPROX. AS SHOWN.  
 ADHESIVE-SET ROD ENDS INTO  
 NEAREST LARGE STONES IN  
 RUBBLE WALL CONSTR., DET A/S4.1

DISMANTLE & RECONSTRUCT  
 STONE WALL CONSTR. TO A  
 DEPTH OF 2- FEET BELOW GRADE

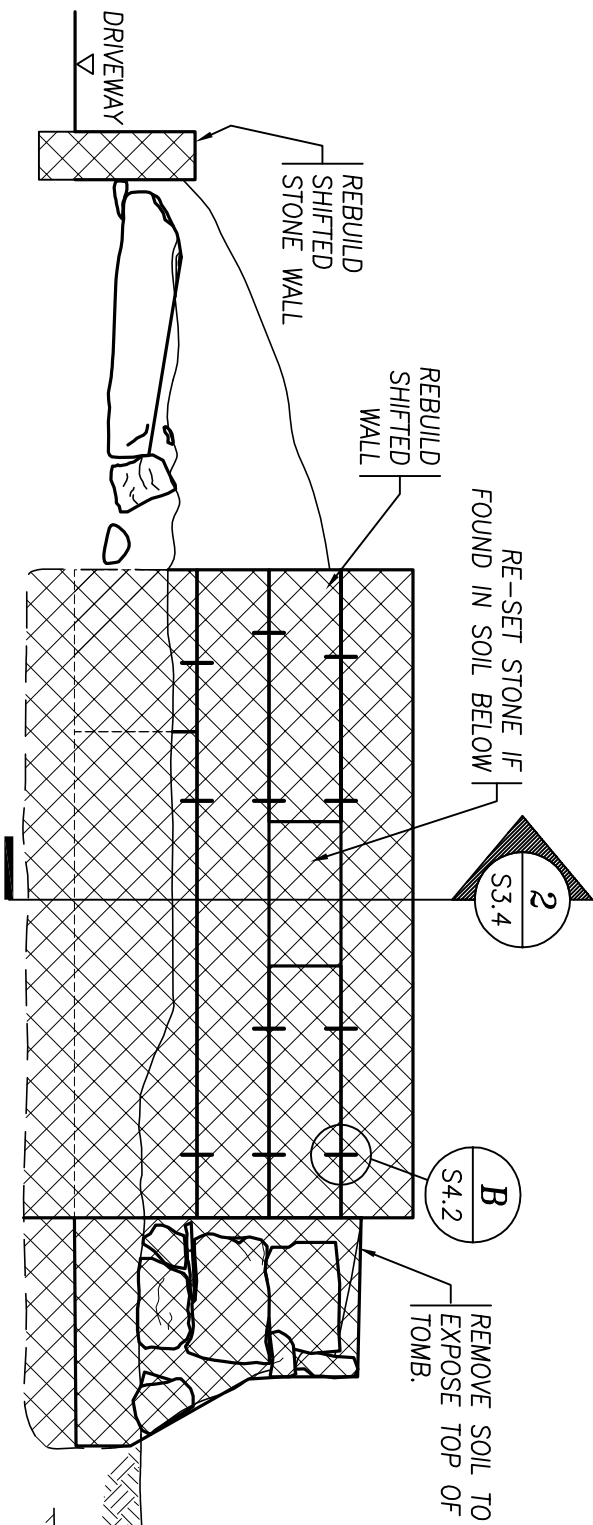


**W-E TO W-J ELEVATION**  
 $\frac{3}{8}'' = 1'-0''$

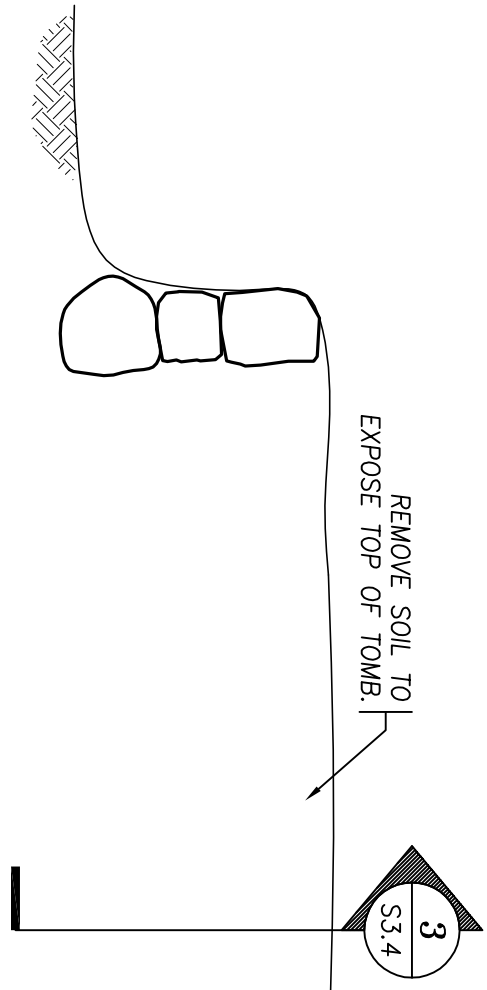
PROJECT NAME:

DRWN: SB  
 DATE: 04-19-11  
 SCALE: AS NOTED  
 CHECKED BY: JMW

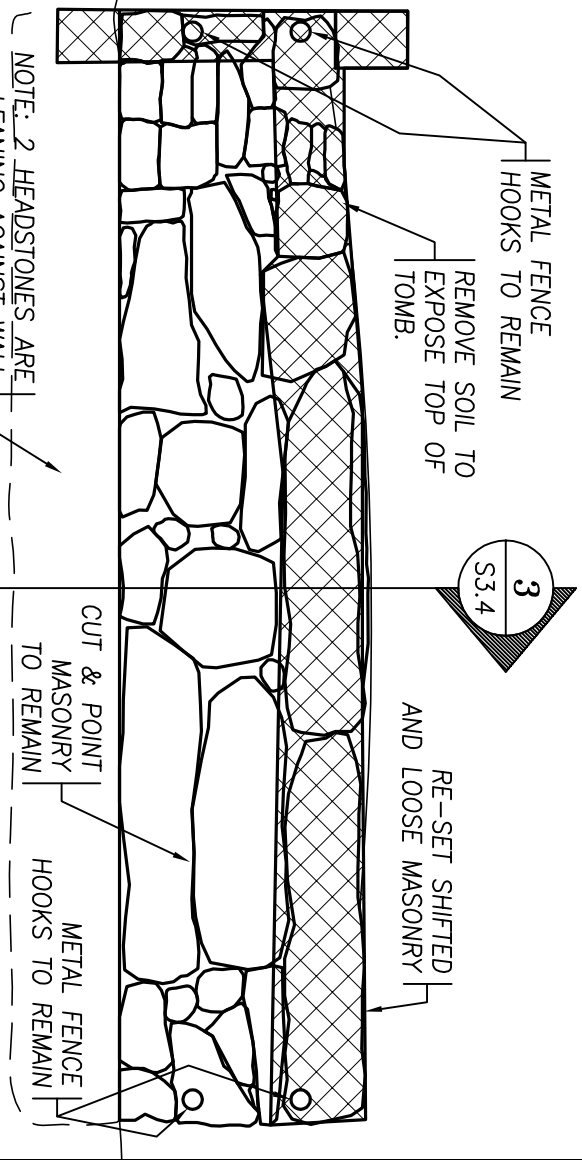
WEST PARISH  
 ELEVATIONS



**W-K WEST ELEVATION**  
 $\frac{3}{8}'' = 1'-0''$

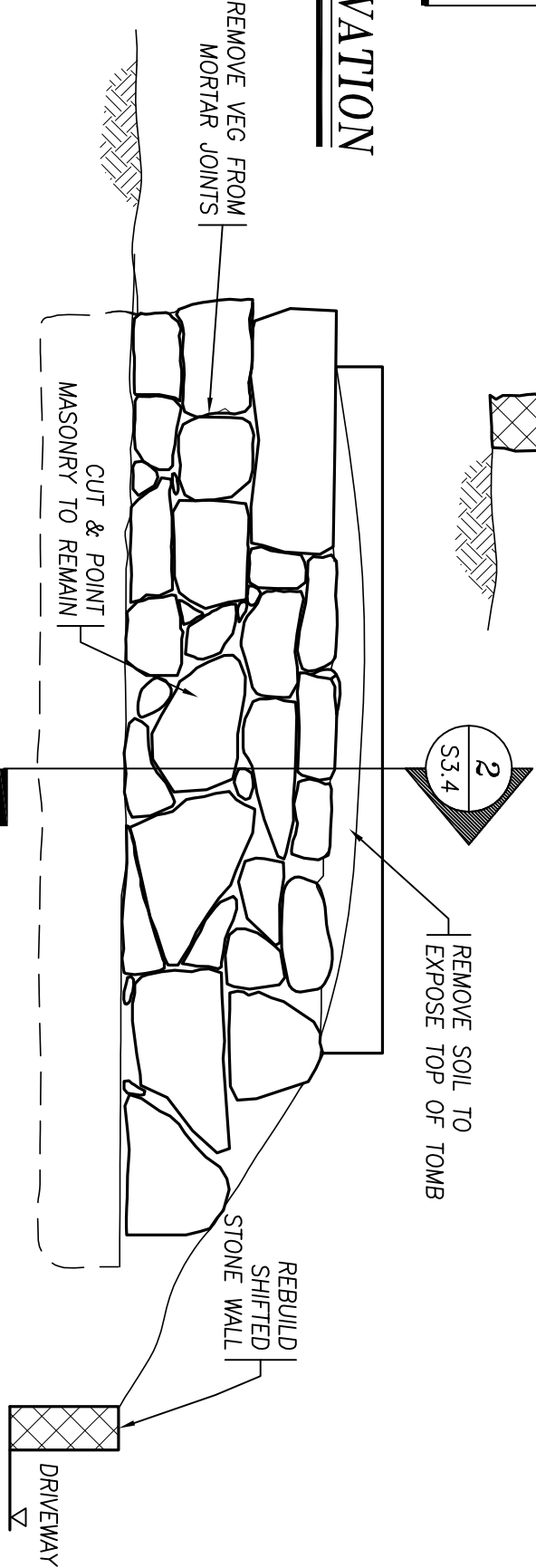


**W-K NORTH ELEVATION**  
 $\frac{3}{8}'' = 1'-0''$



**W-K SOUTH ELEVATION**  
 $\frac{3}{8}'' = 1'-0''$

NOTE: 2 HEADSTONES ARE LEANING AGAINST WALL. REMOVE & STORE DURING CONSTR. RE-SET AFTER ALL WORK IS COMPLETED



**W-K EAST ELEVATION**  
 $\frac{3}{8}'' = 1'-0''$

- DRAWING NOTES:**
1. DO NOT SCALE DRAWINGS
  2. VERIFY ALL DIMENSIONS IN THE FIELD. NOTIFY ENGINEER OF ANY DISCREPANCIES.
  3. ALL DIMENSIONS OF TOMB INTERIORS ARE APPROXIMATE.

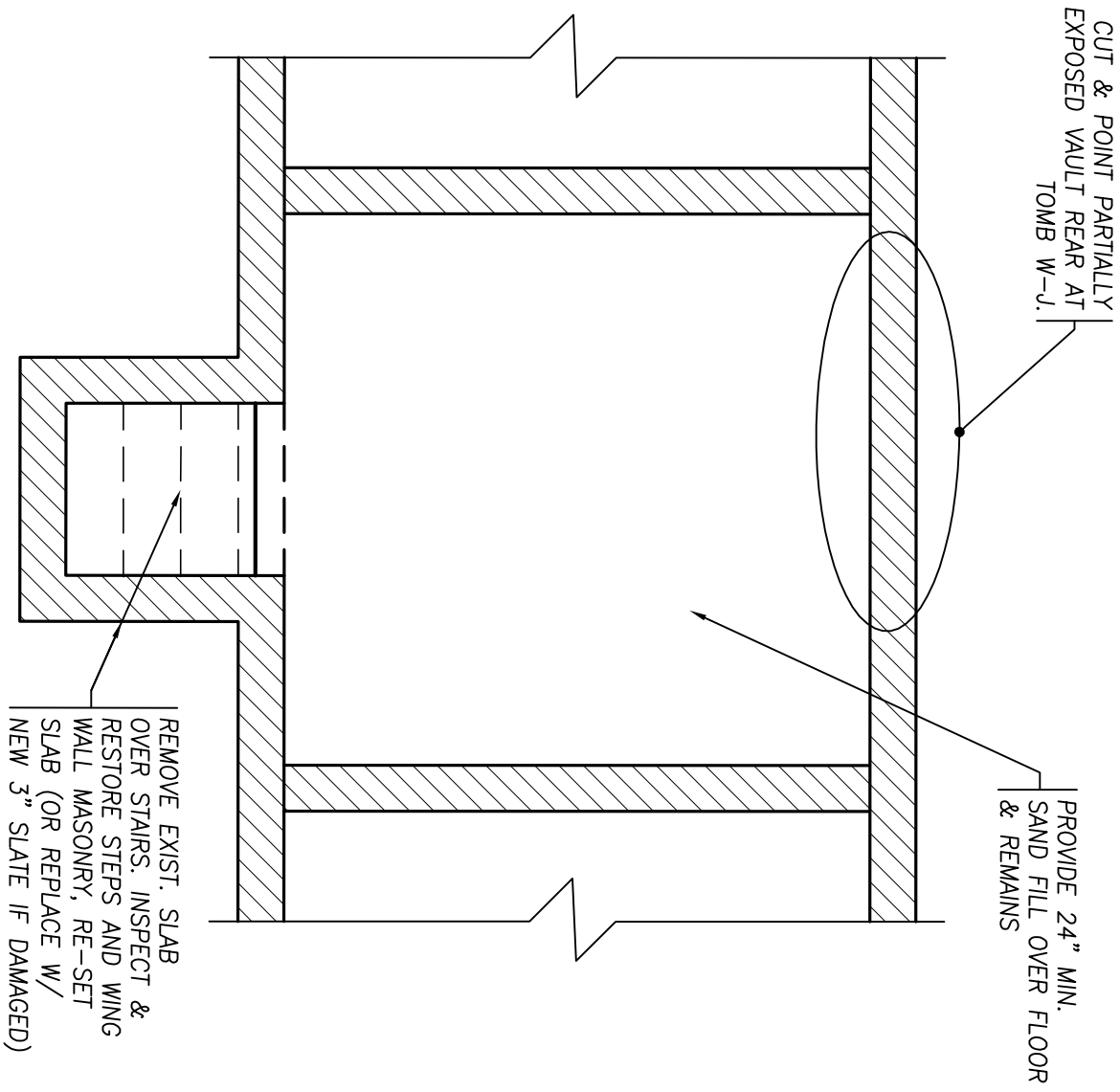
PROJECT NAME:

DRWN: SB  
 DATE: 04-19-11  
 SCALE: AS NOTED  
 CHECKED BY: JMW

WEST PARISH  
 W-K ELEVATIONS

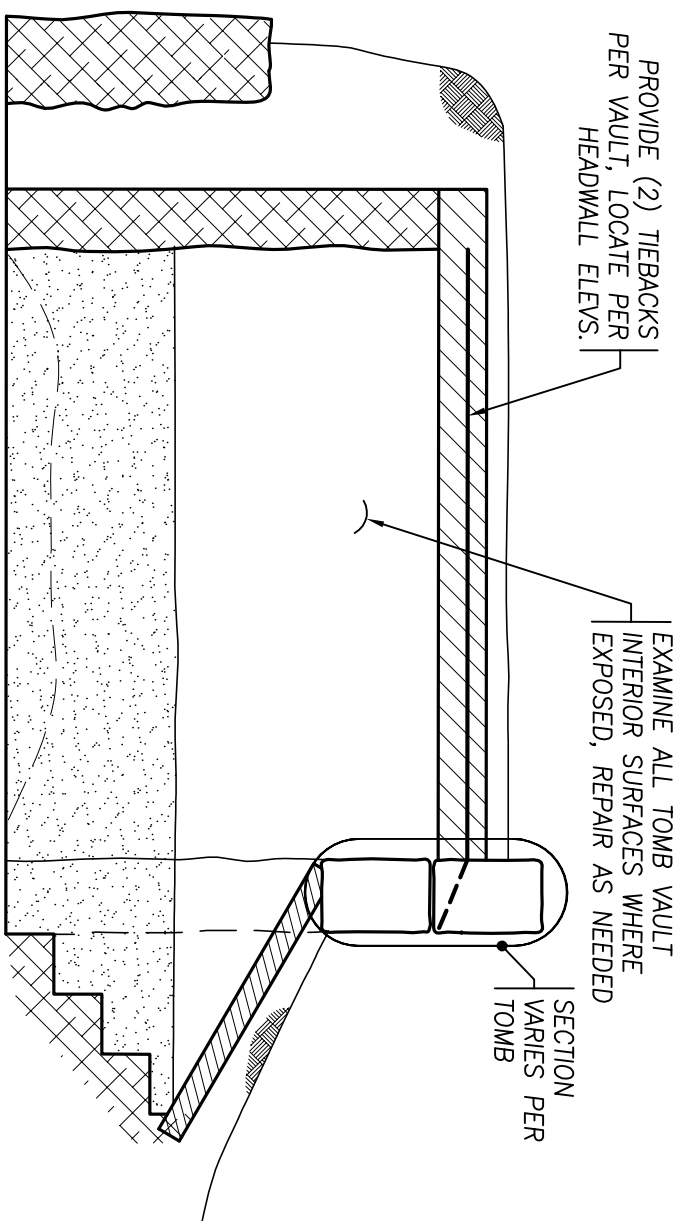


- DRAWING NOTES:**
1. DO NOT SCALE DRAWINGS
  2. VERIFY ALL DIMENSIONS IN THE FIELD. NOTIFY ENGINEER OF ANY DISCREPANCIES.
  3. ALL DIMENSIONS OF TOMB INTERIORS ARE APPROXIMATE.



**TYPICAL TOMB PLAN W-A TO W-J**

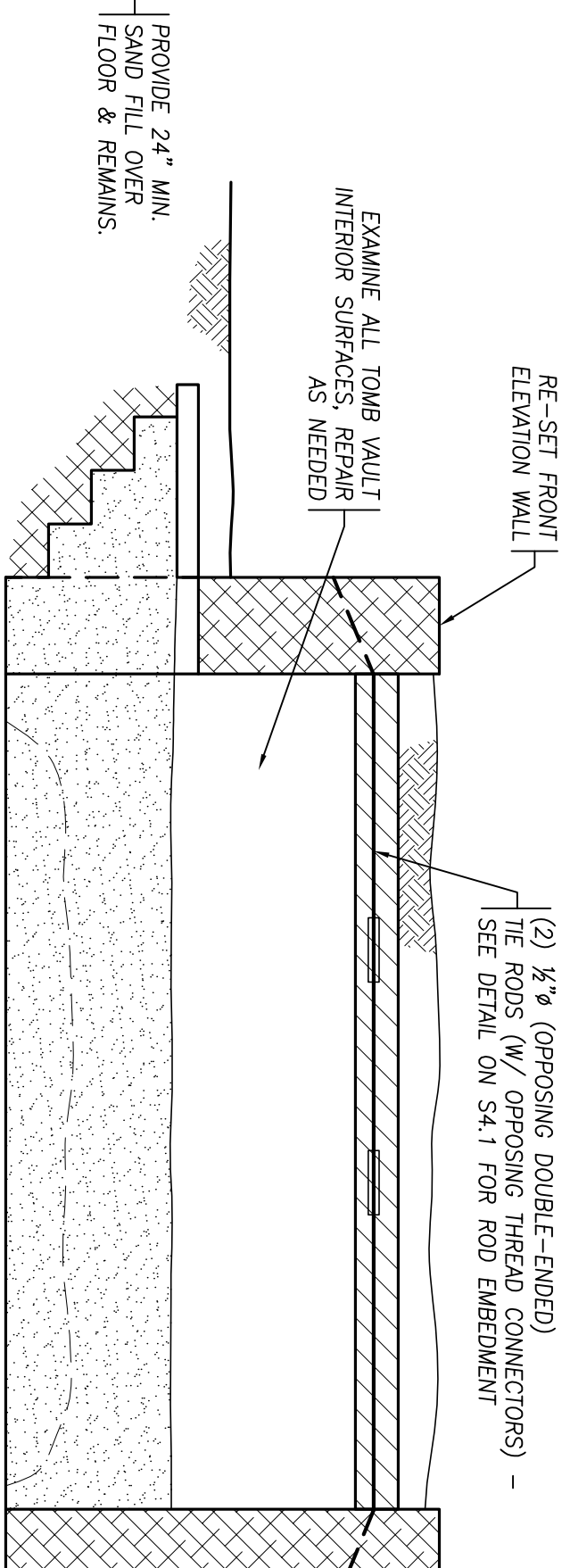
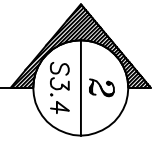
$\frac{3}{8}" = 1'-0"$



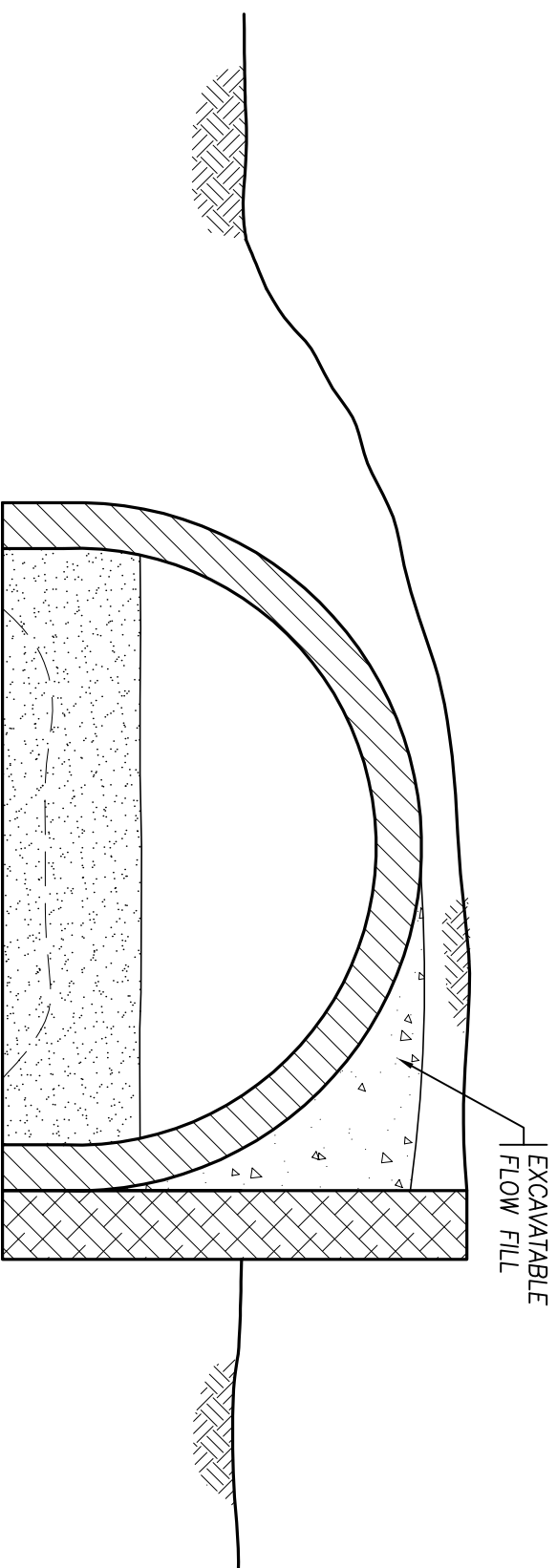
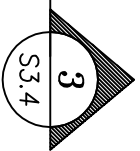
**1 SECTION AT W-A, TYPICAL**

S3.1  $\frac{3}{8}" = 1'-0"$

- DRAWING NOTES:**
1. DO NOT SCALE DRAWINGS
  2. VERIFY ALL DIMENSIONS IN THE FIELD. NOTIFY ENGINEER OF ANY DISCREPANCIES.
  3. ALL DIMENSIONS OF TOMB INTERIORS ARE APPROXIMATE.



S3.2  
S3.4  
**2** LONGITUDINAL SECTION AT W-K  
3/8" = 1'-0"



S3.2  
S3.4  
**3** TRANSVERSE SECTION AT W-K  
3/8" = 1'-0"

**TOMB PLAN AT W-K**  
3/8" = 1'-0"

REMOVE EXIST. SLAB OVER STAIRS. INSPECT & RESTORE STEPS AND WING WALL MASONRY, RE-SET SLAB (OR REPLACE W/ NEW 3" SLATE IF DAMAGED)

PROJECT NAME:

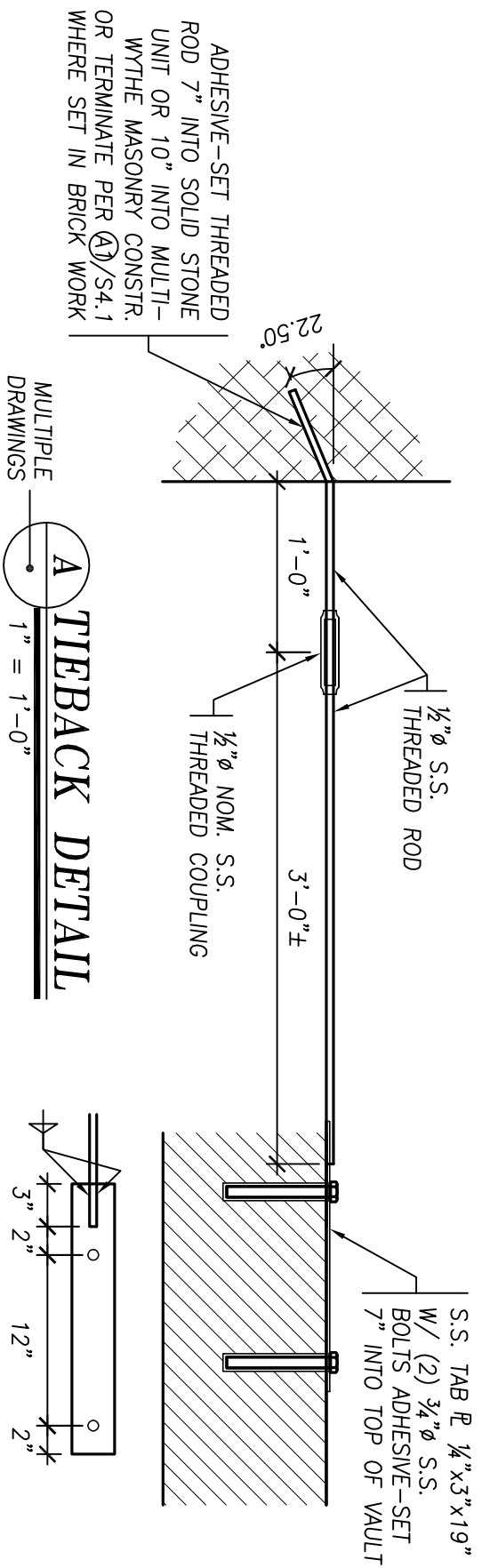
**NEWTON HISTORIC BURYING GROUNDS  
NEWTON, MASSACHUSETTS**

DRWN: SB  
DATE: 04-19-11  
SCALE: AS NOTED  
CHECKED BY: JMW

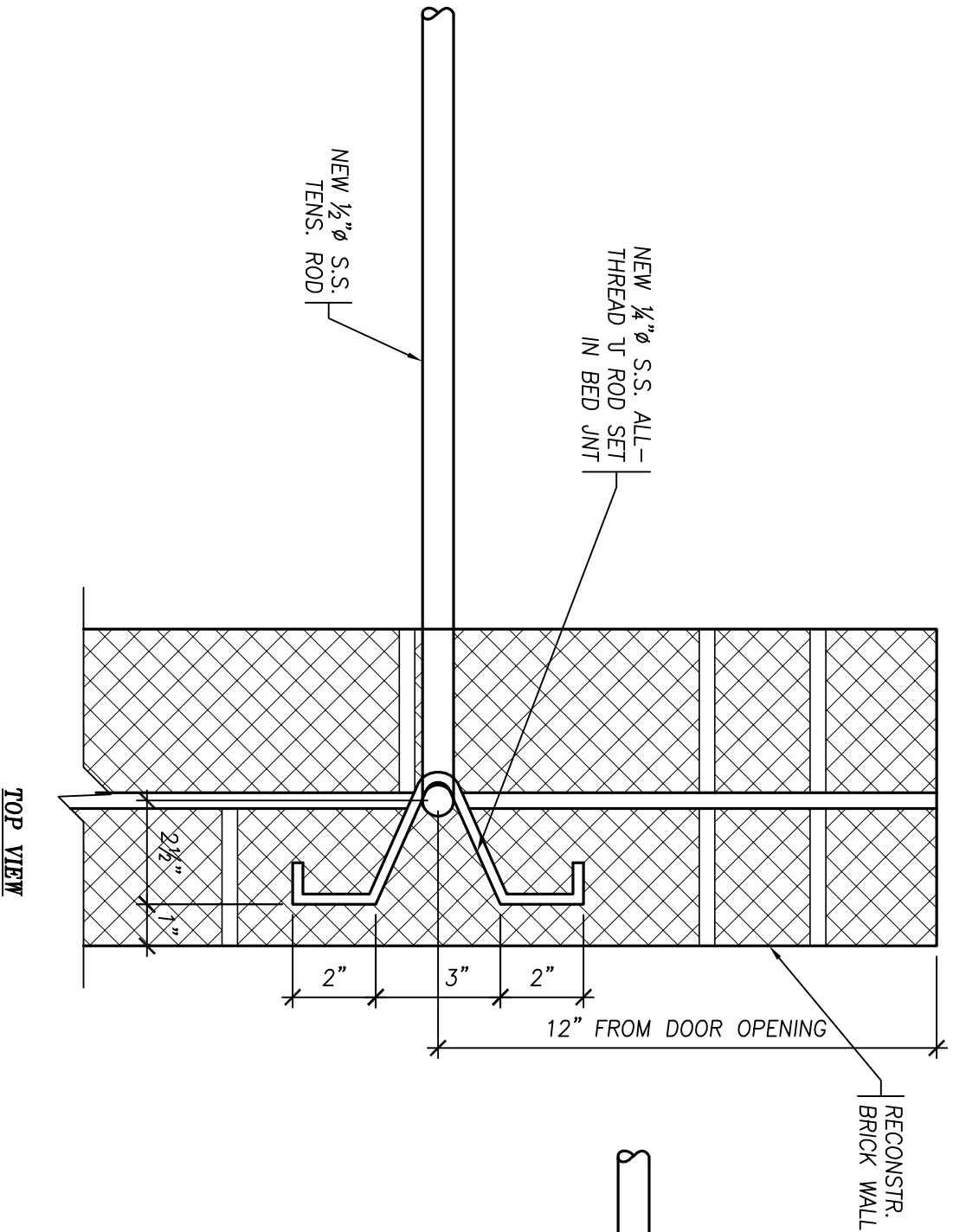
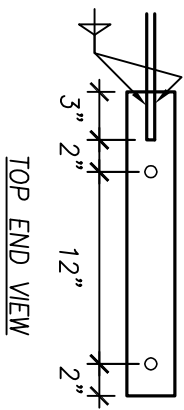
WEST PARISH  
SECTION & PLAN

S3.4

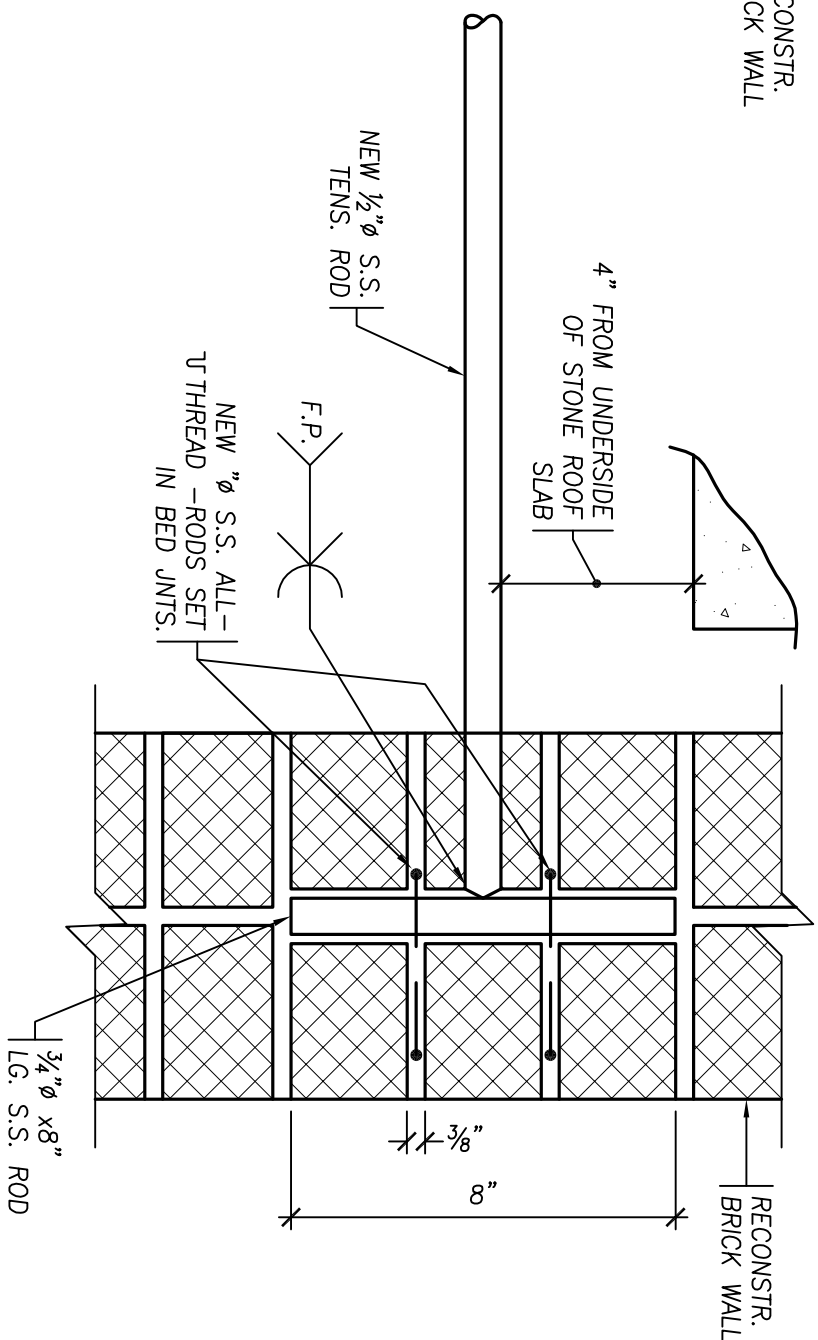
**Structures North**  
CONSULTING ENGINEERS, INC.  
Salem, NH  
60 Washington St., Suite 401  
Salem, NH, 03070-5517  
T 603.745.6817 F 603.745.6807  
www.structures-north.com



**A TIEBACK DETAIL**  
 1" = 1'-0"  
 MULTIPLE DRAWINGS



**TOP VIEW**



**SIDE VIEW**

**A1 DETAIL**  
 S4.1 3" = 1'-0"

**NEWTON HISTORIC BURYING GROUNDS  
 NEWTON, MASSACHUSETTS**

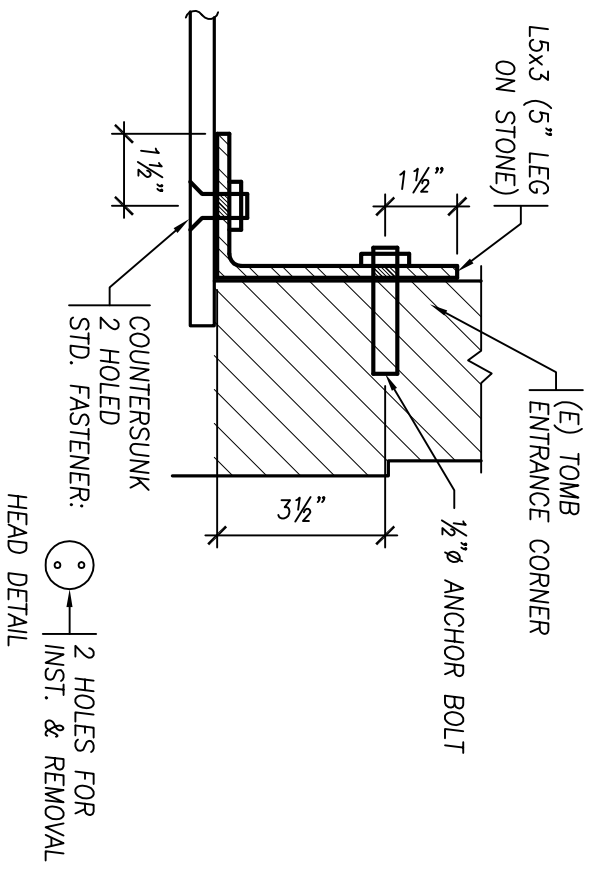
DRWN: SB  
 DATE: 04-19-11  
 SCALE: AS NOTED  
 CHECKED BY: SAM

PROJECT NAME:

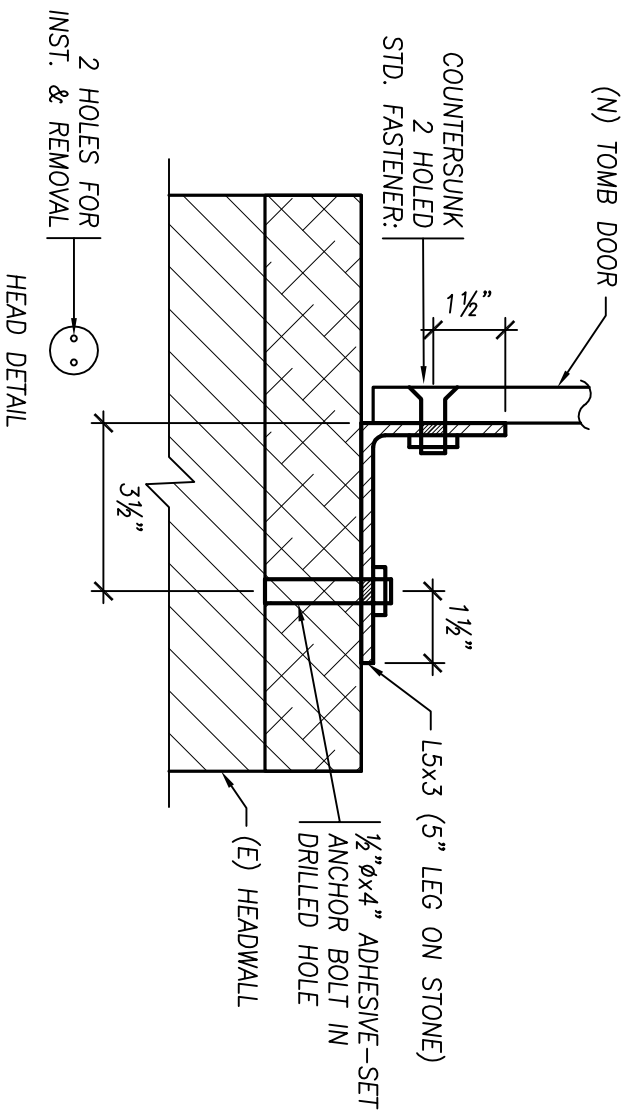
**Structures North**  
 CONSULTING ENGINEERS, INC.  
 Salem | Hartford  
 60 Washington St., Suite 401  
 Salem, MA, 01970-5517  
 T 978.745.8817 | F 978.745.8887  
 www.structures-north.com



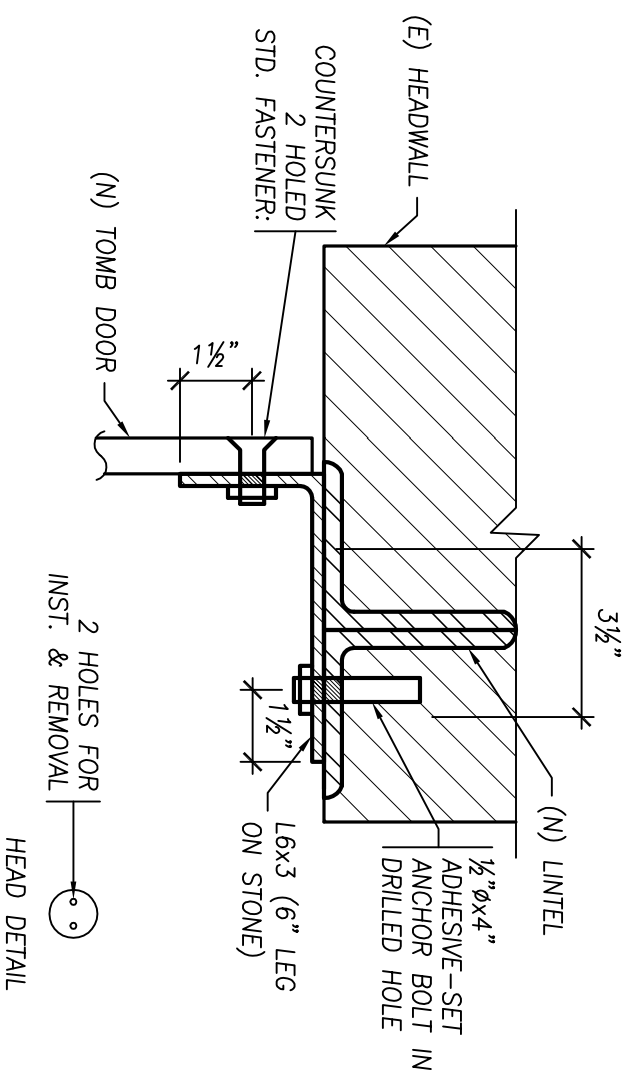




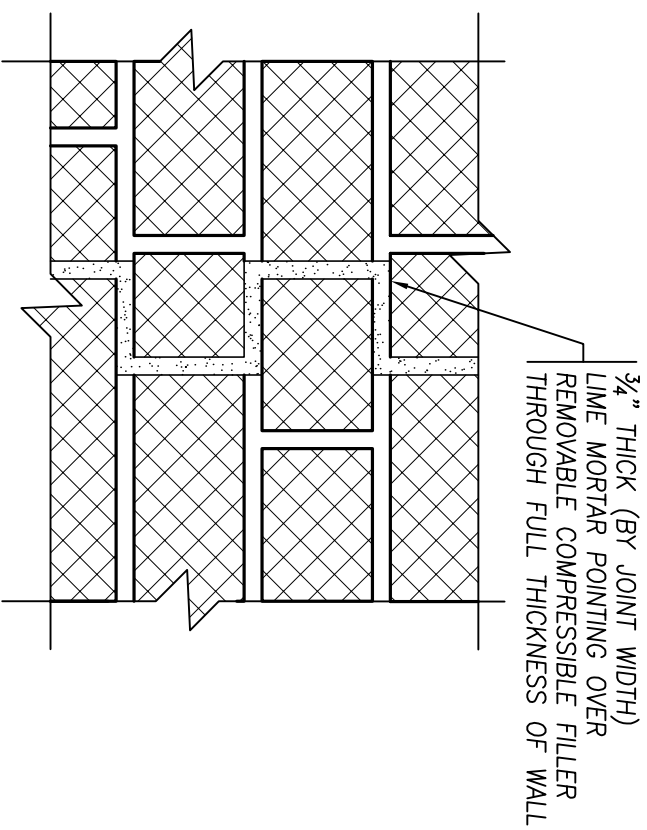
**E2 SECTION**  
 S4.3  
 3" = 1'-0"



**G DETAIL**  
 S4.3  
 3" = 1'-0"



**F DETAIL**  
 S4.3  
 3" = 1'-0"



**"CJ" DETAIL**  
 3" = 1'-0"