

FARLOW PARK POND



Farlow Park Pond

Gene Bolinger, RLA
Cheri Ruane, RLA
Weston & Sampson

Historic Precedent



FARLOW PARK POND



Copyright 1905 by the Rotograph Co.

G 6976 In Farlow Park, Newton, Mass.

*Tack för kartet. Vill se dig på
Lördag en här helomgång
vänner Shara*

FARLOW PARK POND



Dear Irving, I thank you for the pretty card you sent me it is
terrible hot weather how do you stand it we manage to keep cool.
We were auto. riding tonight it is
terrible fine. All well hope you are well. Love
V. H. S.

FARLOW PARK, NEWTON, MASS.

1144 N. E. PAPER & STATIONERY CO. MFRS. AYER, MASS.

Existing Conditions



FARLOW PARK POND



FARLOW PARK POND



FARLOW PARK POND



FARLOW PARK POND



FARLOW PARK POND



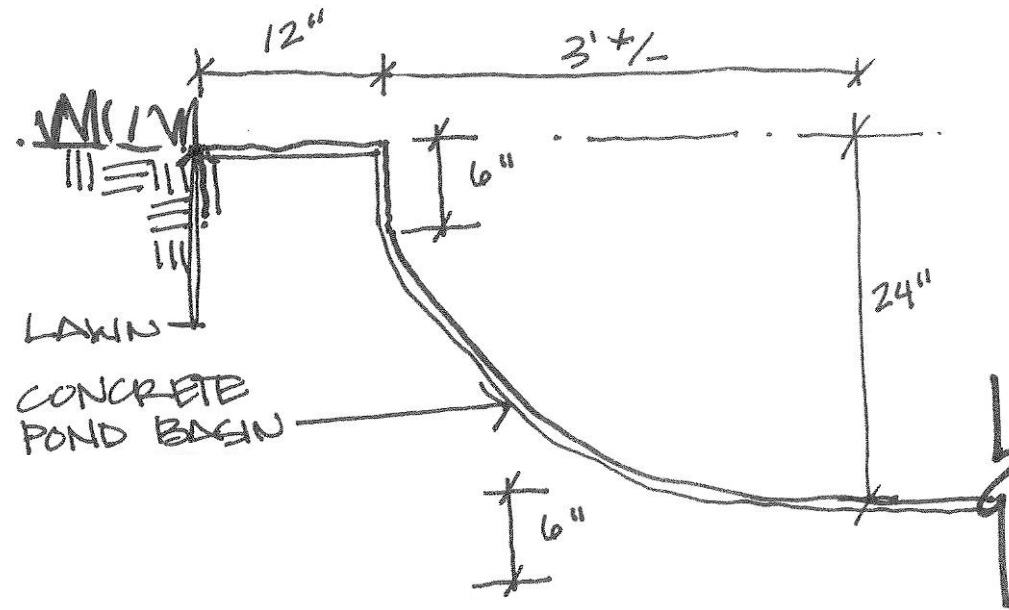
FARLOW PARK POND



FARLOW PARK POND



Pond Shell Profile



Review of other local open water amenities

Interviewed operators and managers of
public water-based amenities

Inventoried maintenance challenges and
successes

Discussed safety considerations
(perceived versus real)

Newton Cemeteries



Newton City Hall



Auburndale,
Newton



FARLOW PARK POND



Vietnam Veterans Memorial Worcester



FARLOW PARK POND



Elm Park, Worcester



FARLOW PARK POND



Burncoat Park, Worcester



FARLOW PARK POND



Public Garden Lagoon, Boston



FARLOW PARK POND



Frog Pond,
Boston



EARLOW PARK POND



Forest Hills Cemetery, Boston



Perkins School for the Blind, Watertown





Mount Auburn Cemetery, Watertown



FARLOW PARK POND



Lars Anderson Park, Brookline



Summary of Findings

The #1 biggest concern is geese nesting near the pond.

Trash / debris collection needs to be consistent.

The presence of algae in unaerated ponds is a concern.

Ice skating in the winter requires 'at your own risk' signage to mitigate liability

No reported safety concerns

Design Considerations

Pond shell reuse

Pond water fill source

Drainage

Aeration system

Aeration System



Next Steps

Design / Engineering elements

Construction Documents

Funding

Schedule

Questions / Comments

