
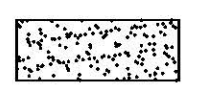
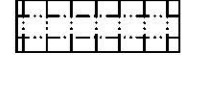

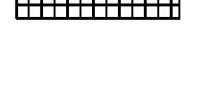

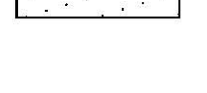


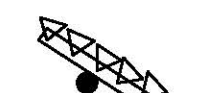

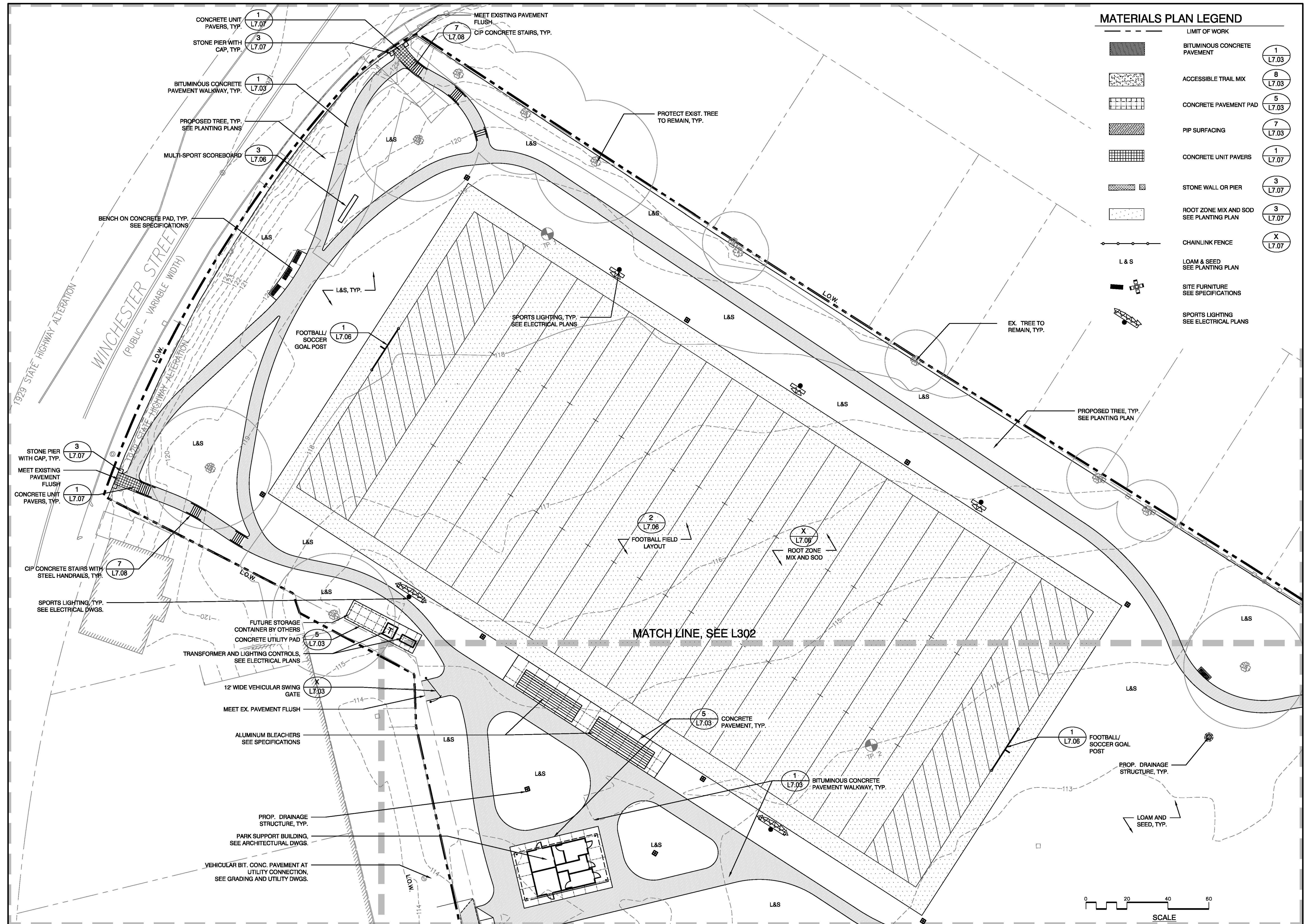


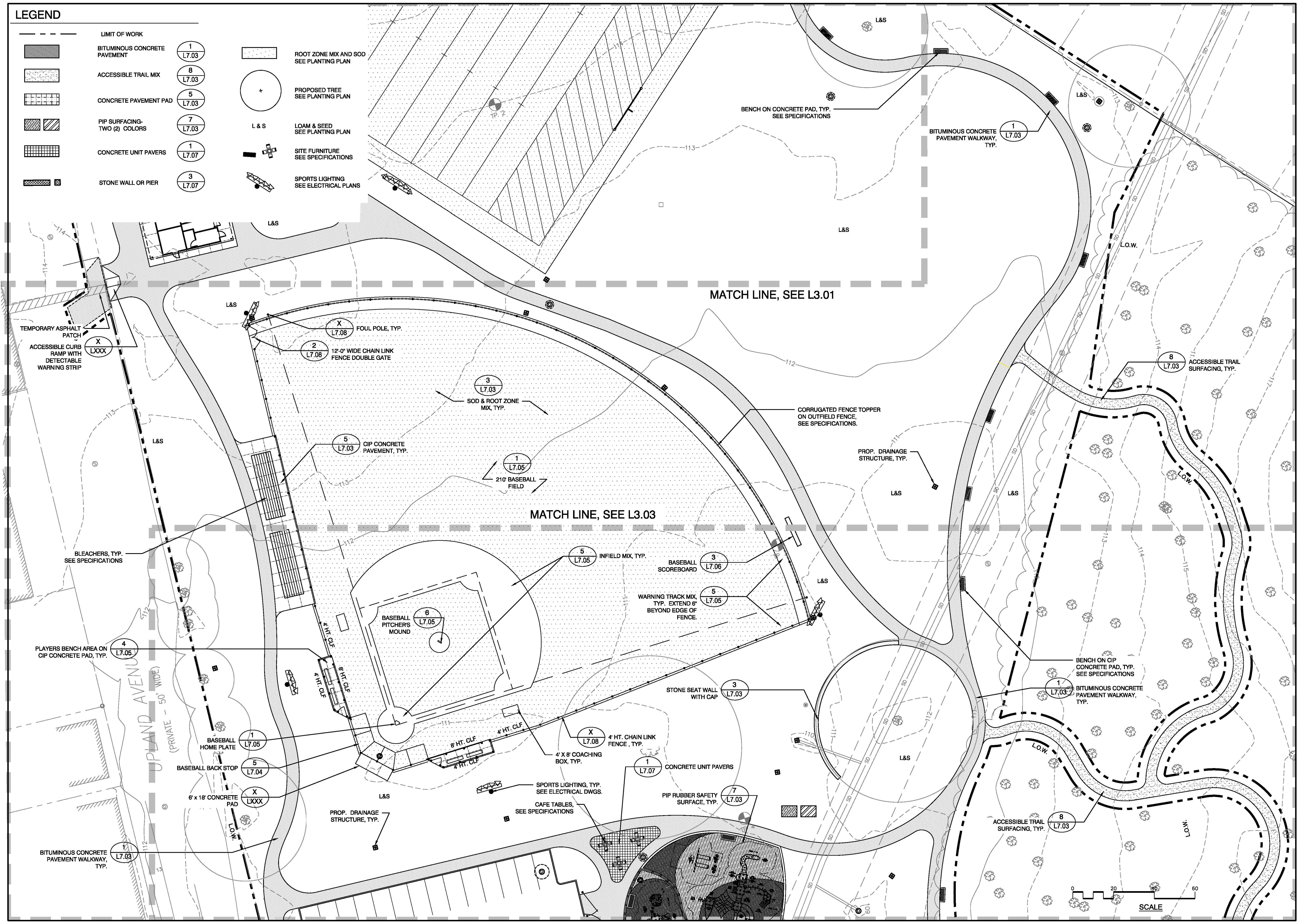
MATERIALS PLAN LEGEND

- LIMIT OF WORK**
-  BITUMINOUS CONCRETE PAVEMENT (1 L7.03)
 -  ACCESSIBLE TRAIL MIX (8 L7.03)
 -  CONCRETE PAVEMENT PAD (5 L7.03)
 -  PIP SURFACING (7 L7.03)
 -  CONCRETE UNIT PAVERS (1 L7.07)
 -  STONE WALL OR PIER (3 L7.07)
 -  ROOT ZONE MIX AND SOD SEE PLANTING PLAN (3 L7.07)
 -  CHAINLINK FENCE (X L7.07)
 -  LOAM & SEED SEE PLANTING PLAN
 -  SITE FURNITURE SEE SPECIFICATIONS
 -  SPORTS LIGHTING SEE ELECTRICAL PLANS



LEGEND

- LIMIT OF WORK
- [Pattern] BITUMINOUS CONCRETE PAVEMENT (1 L7.03)
- [Pattern] ACCESSIBLE TRAIL MIX (8 L7.03)
- [Pattern] CONCRETE PAVEMENT PAD (5 L7.03)
- [Pattern] PIP SURFACING-TWO (2) COLORS (7 L7.03)
- [Pattern] CONCRETE UNIT PAVERS (1 L7.07)
- [Pattern] STONE WALL OR PIER (3 L7.07)
- [Pattern] ROOT ZONE MIX AND SOD SEE PLANTING PLAN
- [Symbol] PROPOSED TREE SEE PLANTING PLAN
- [Symbol] L & S LOAM & SEED SEE PLANTING PLAN
- [Symbol] SITE FURNITURE SEE SPECIFICATIONS
- [Symbol] SPORTS LIGHTING SEE ELECTRICAL PLANS



Project:
**NEWTON HIGHLANDS
 PLAYGROUND
 REHABILITATION**

Spurr
 Weston & Sampson's
 DESIGN STUDIO

85 Devonshire Street, 3rd Floor
 Boston, MA 02109
 (617) 412-4480 (800) Sampson
 www.westonandsampson.com

Consultants:

North:

Revisions:

Rev	Date	Description

Seal:



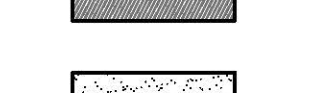

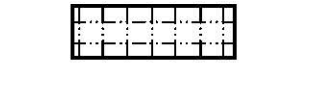
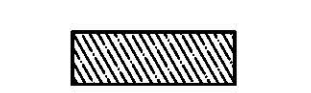

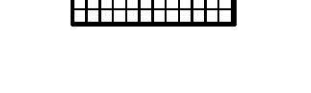

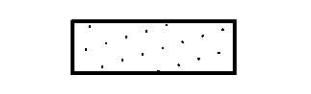


**FINAL DESIGN
 SUBMISSION
 NOT FOR CONSTRUCTION**



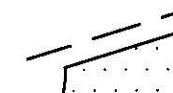
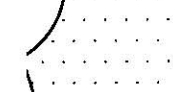
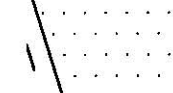

Date: 09.30.2015
 Scale: 1" = 20'-0"
 Drawn By: CB/CC
 Reviewed By: EB/CF
 Checked By: BR/BK
 Approved By: EB

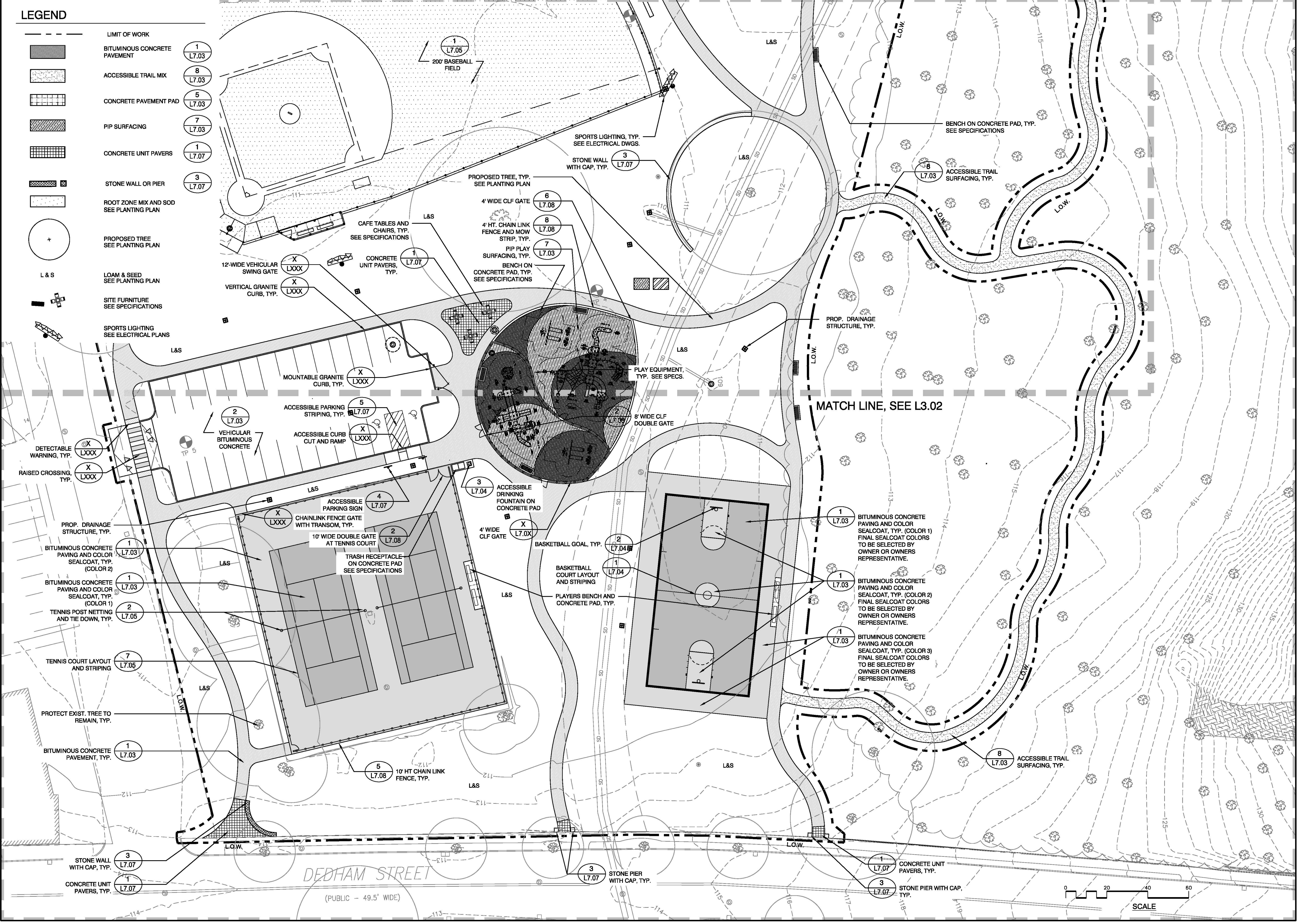
Drawing Title:
MATERIALS PLAN

Sheet Number:
L3.02

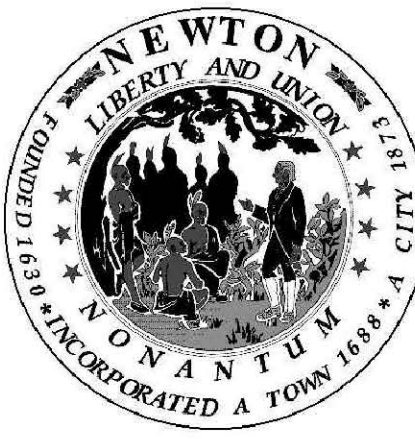
LEGEND

-  LIMIT OF WORK
-  BITUMINOUS CONCRETE PAVEMENT
-  ACCESSIBLE TRAIL MIX
-  CONCRETE PAVEMENT PAD
-  PIP SURFACING
-  CONCRETE UNIT PAVERS
-  STONE WALL OR PIER
-  ROOT ZONE MIX AND SOD SEE PLANTING PLAN
-  PROPOSED TREE SEE PLANTING PLAN
-  L & S
-  SITE FURNITURE SEE SPECIFICATIONS
-  SPORTS LIGHTING SEE ELECTRICAL PLANS

-  1 L7.03
-  8 L7.03
-  5 L7.03
-  7 L7.03
-  1 L7.07
-  3 L7.07



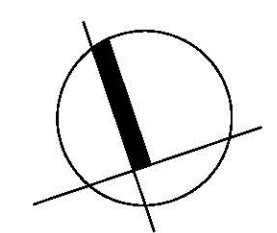
Project:
**NEWTON HIGHLANDS
 PLAYGROUND
 REHABILITATION**




85 Devonshire Street, 3rd Floor
 Boston, MA 02109
 (617) 412-4480 (800) Sampson
 www.westonandsampson.com

Consultants:

North:



Revisions:

Rev	Date	Description

Seal:

**FINAL DESIGN
 SUBMISSION
 NOT FOR CONSTRUCTION**

Date: 09.30.2015
 Scale: 1" = 20'-0"
 Drawn By: CB/CC
 Reviewed By: EB/CR
 Checked By: BR/BK
 Approved By: EB

Drawing Title:
MATERIALS PLAN

Sheet Number:
L3.03

