

September 1, 2020

MedMen[®]

189677-1-5

232 Boylston Street
Newton Center, MA 02459

Revisions
RTW 09.03.20
BNN 9.4.20
GED 10.3.20
GED 10.4.20



MedMen®



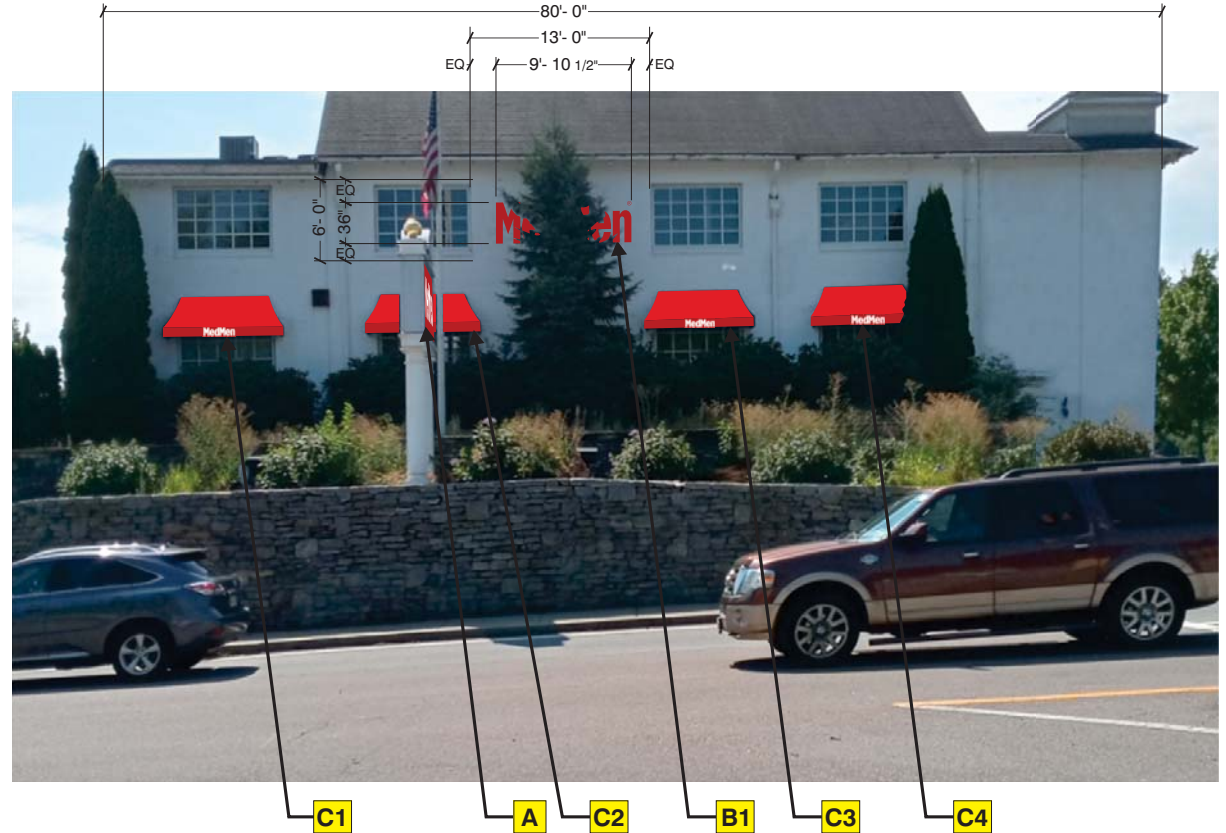
A	Two (2) tenant panels
B	Two (2) sets FCO acrylic letters
C	Five (5) awnings
D	One (1) S/F directional sign
E	Seven (7) S/F parking signs

Sales:	Tony Nemeth
PM:	Tony Nemeth
Art:	BNN 9.1.20
Drwg #:	189677-1-5



Banner & mounting rails to be removed

Existing



Proposed
Signs rendered proportional to the photo

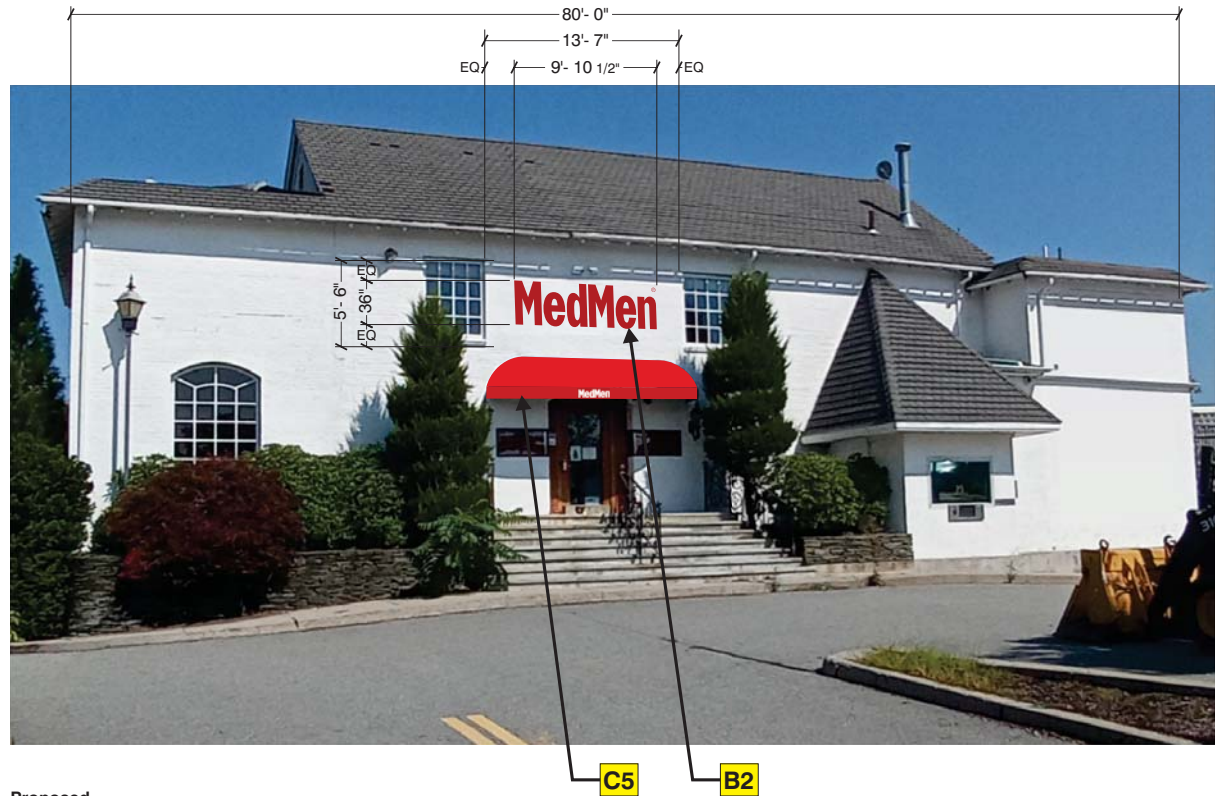
***All awning measurements to be field verified prior to manufacturing**

Sales:	Tony Nemeth
PM:	Tony Nemeth
Art:	BNN 9.1.20
Drwg #:	189677-1-5



Banner & mounting rails to be removed

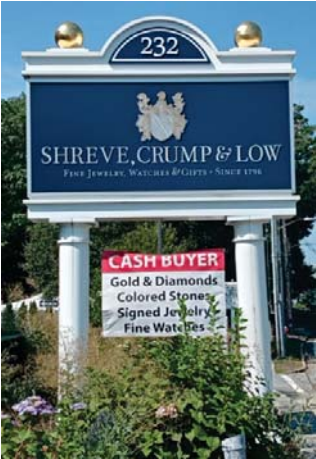
Existing



Proposed
Signs rendered proportional to the photo

***All awning measurements to be field verified prior to manufacturing**

Sales:	Tony Nemeth
PM:	Tony Nemeth
Art:	BNN 9.1.20
Drwg #:	189677-1-5



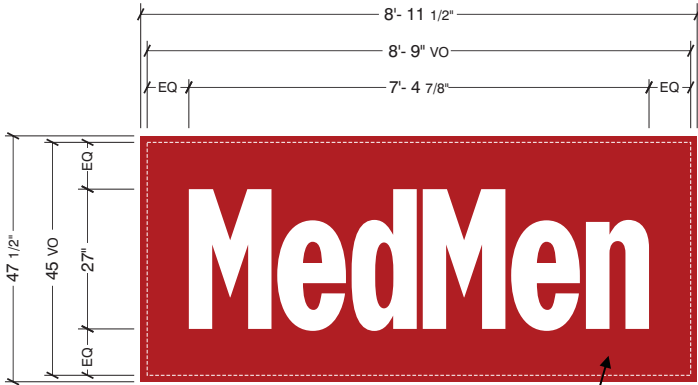
Existing

Note:
Existing address to remain. Paint
background to match PMS 7621.



Proposed
Sign rendered proportional to the photo

A



Scale: 1/2" = 1'- 0"

1

Panels

1 .080 aluminum painted PMS 7621 with white letters.

Colors to match

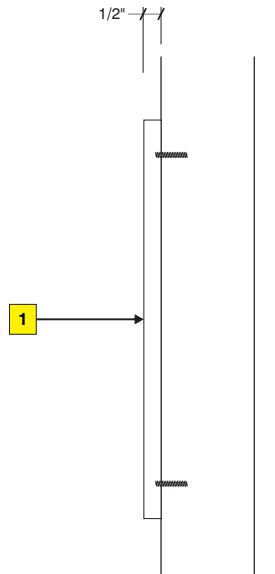
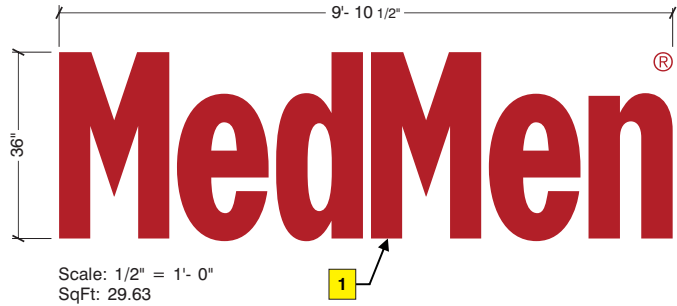


PMS 7621



White

Sales:	Tony Nemeth
PM:	Tony Nemeth
Art:	BNN 9.1.20
Drwg #:	189677-1-5




CROSS SECTION
NTS

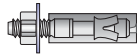

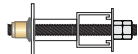



Letters

1 .50" thick acrylic letters powder coated to match SW P-6 Exterior MedMen Red Resilience E Satin K43T00054

Colors to match

 Powder coated to match SW P-6 Exterior MedMen Red Resilience E Satin K43T00054

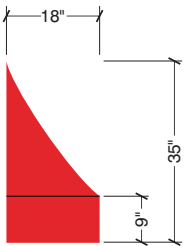
Mounting

<input type="checkbox"/>	 Wedge anchors For use in masonry applications.	<input type="checkbox"/>	 Lag screw Wood lags for solid wood backing. Concrete lags for solid masonry applications. Only when specified by NAS.
<input type="checkbox"/>	 Thru-Bolt w/ (Preferred) Hollow walls w/ rear access. Backing- U-Channel, angle iron or wood.	<input type="checkbox"/>	 Toggle bolt For use in hollow walls w/ suitable wall materials.
<input checked="" type="checkbox"/>	 Stud mounted	<input type="checkbox"/>	 Pan Head Screws For use in securing metal panels to appropriate surface types.

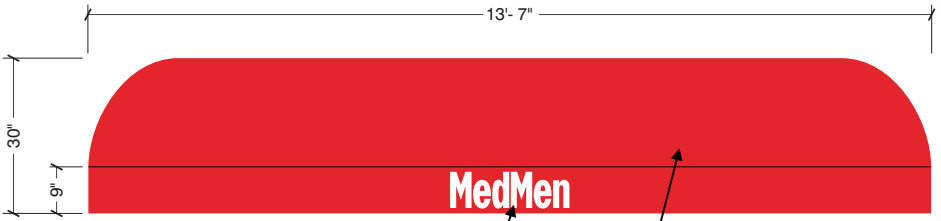
Sales:	Tony Nemeth
PM:	Tony Nemeth
Art:	BNN 9.1.20
Drwg #:	189677-1-5



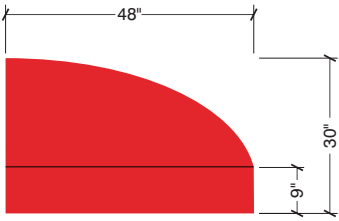
Boylston St Awning Detail
Scale: 1/2" = 1'- 0"
Qty: 4



Side View
Scale: 1/2" = 1'- 0"



Entry Awning Detail
Scale: 1/2" = 1'- 0"
Qty: 1



Side View
Scale: 1/2" = 1'- 0"

Awning

1 Patio 500 Awning Bright Red 529 Item #858529. Closed ends.

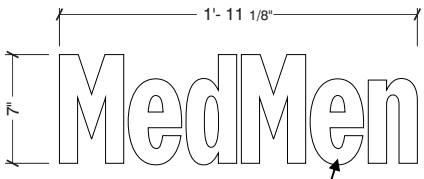
Vinyl

2 White vinyl letters applied first surface. Copy to be centered vertically and horizontally on valance.

***All measurements to be field verified prior to manufacturing**

Colors to match

	Patio 500 Awning Bright Red 529 Item #858529		White
--	--	--	-------



Vinyl Detail
Scale: 1 1/2" = 1'- 0"

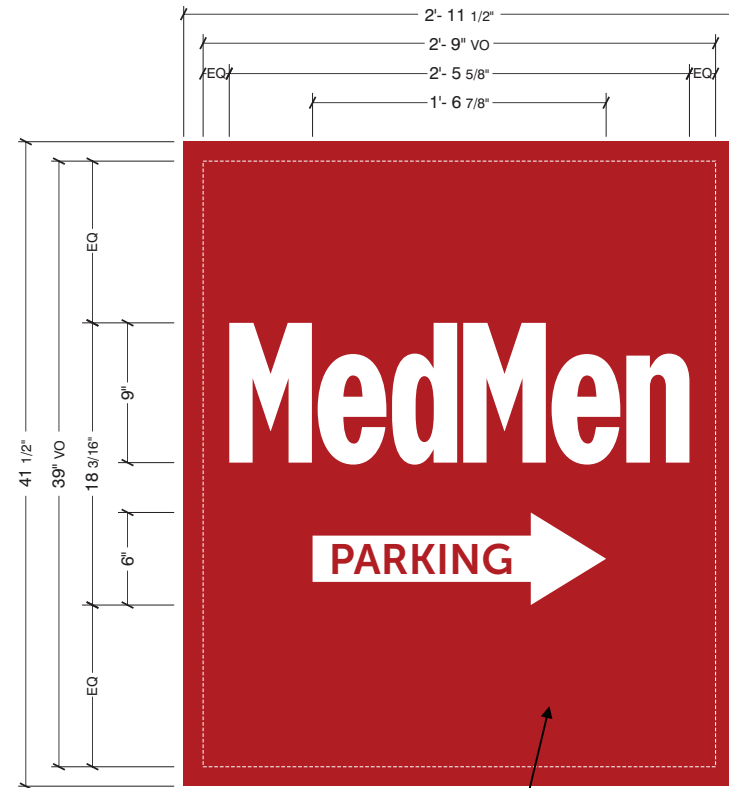
Sales:	Tony Nemeth
PM:	Tony Nemeth
Art:	BNN 9.1.20
Drwg #:	189677-1-4



Existing



Proposed
 Sign rendered proportional to the photo



Scale: 1 1/2" = 1'- 0"

1

Panels

- 1** 3/8" white polycarbonate w/ reverse weeded 3M Cardinal Red translucent vinyl applied first surface.

Colors to match

- PMS 7621
 Vinyl to be 3M Cardinal Red

Sales:	Tony Nemeth
PM:	Tony Nemeth
Art:	BNN 9.1.20
Drwg #:	189677-1-5

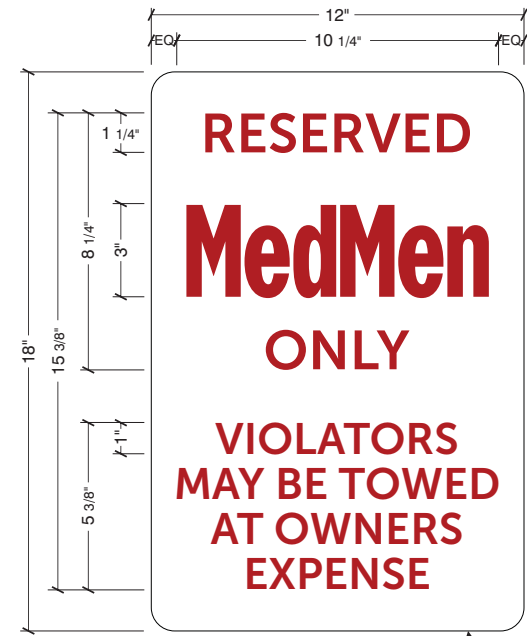


Existing



Proposed
 Sign rendered proportional to the photo

E




Scale: 3" = 1'- 0"

1

Sign

1 White .125 aluminum panel w/ vinyl applied first surface. Mounted to existing post.

Colors to match

 PMS 7621
 Vinyl to be 3M Cardinal Red

Sales:	Tony Nemeth
PM:	Tony Nemeth
Art:	BNN 9.1.20
Drwg #:	189677-1-5