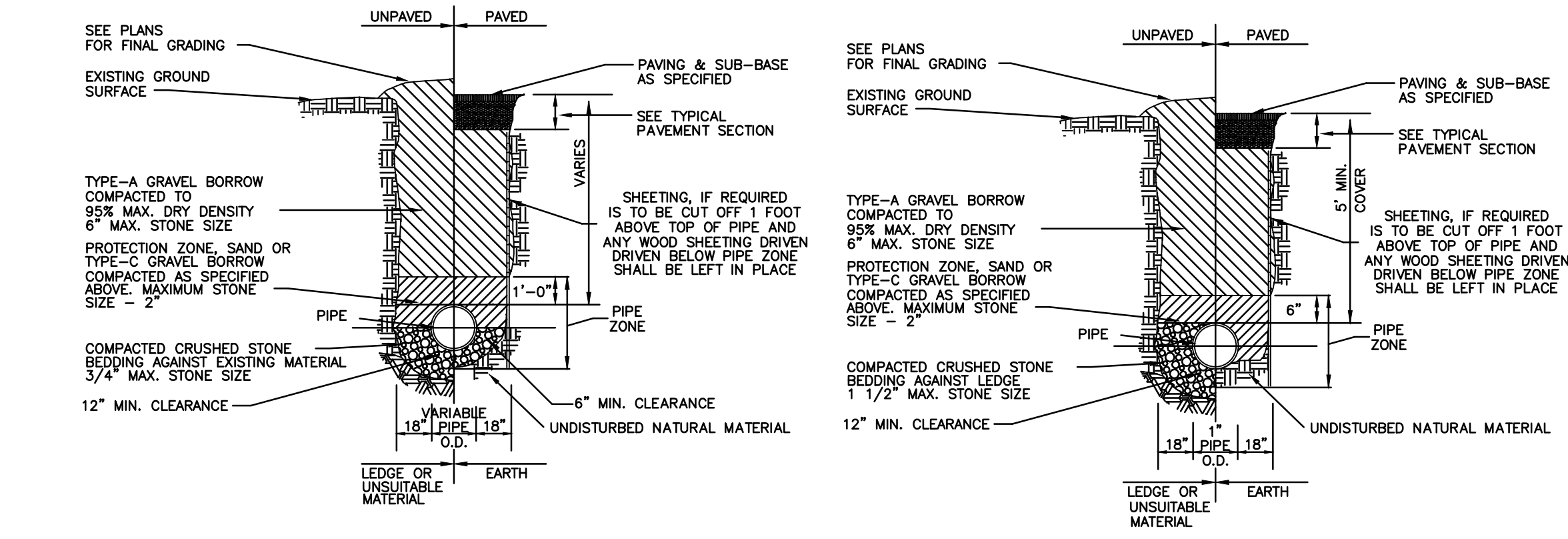
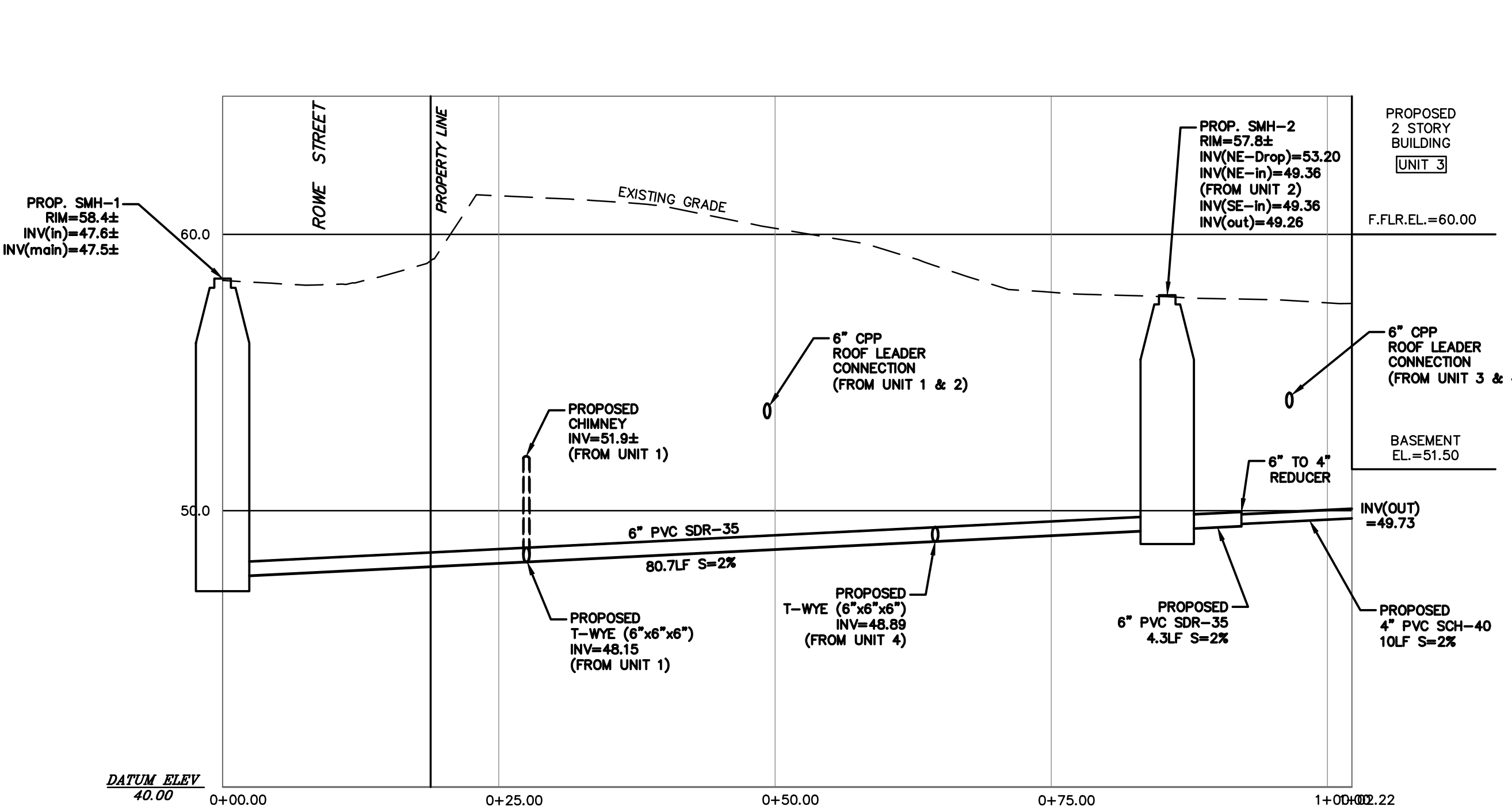


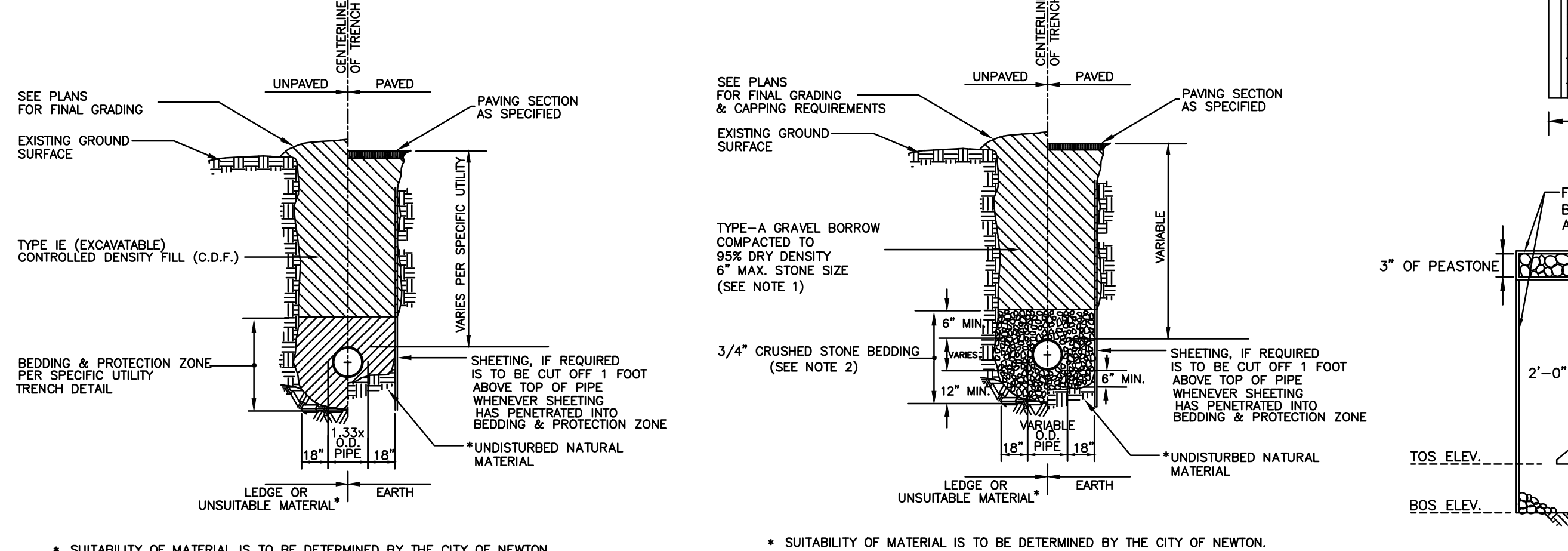
UTILITY NOTES:

THE NEW SEWER SERVICE(S) AND/OR STRUCTURES SHALL BE PRESSURE TESTED OR VIDEOTAPED AFTER FINAL INSTALLATION IS COMPLETE. METHOD OF FINAL INSPECTION SHALL BE DETERMINED SOLELY BY THE CONSTRUCTION INSPECTOR FROM THE CITY ENGINEERING DIVISION. THE SEWER SERVICE WILL NOT BE ACCEPTED UNTIL ONE OF THE TWO METHODS STATED ABOVE IS COMPLETED. A CERTIFICATE OF OCCUPANCY WILL NOT BE RECOMMENDED UNTIL THIS TEST IS COMPLETED. A CERTIFICATE OF OCCUPANCY WILL NOT BE RECOMMENDED UNTIL THIS TEST IS COMPLETED AND A WRITTEN REPORT IS RECEIVED BY THE CITY ENGINEER.

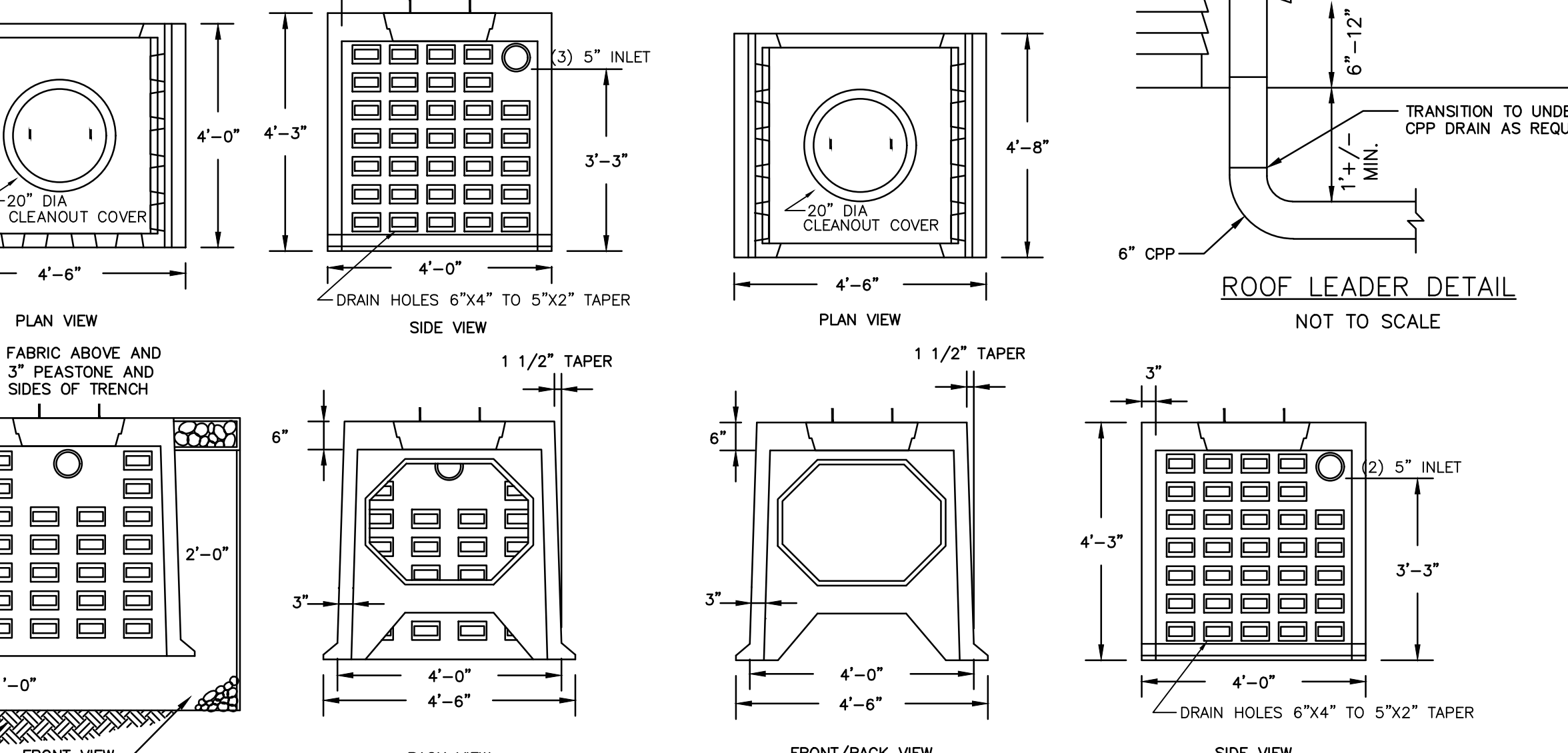


TYPICAL WATER DRAIN TRENCH DETAIL NOT TO SCALE. 1. GRAVEL BORROW SHALL CONFORM TO MASS HIGHWAY SPECIFICATION M1.03.0. 2. CRUSHED STONE BEDDING SHALL CONFORM TO MASS HIGHWAY SPECIFICATION M2.01.1.

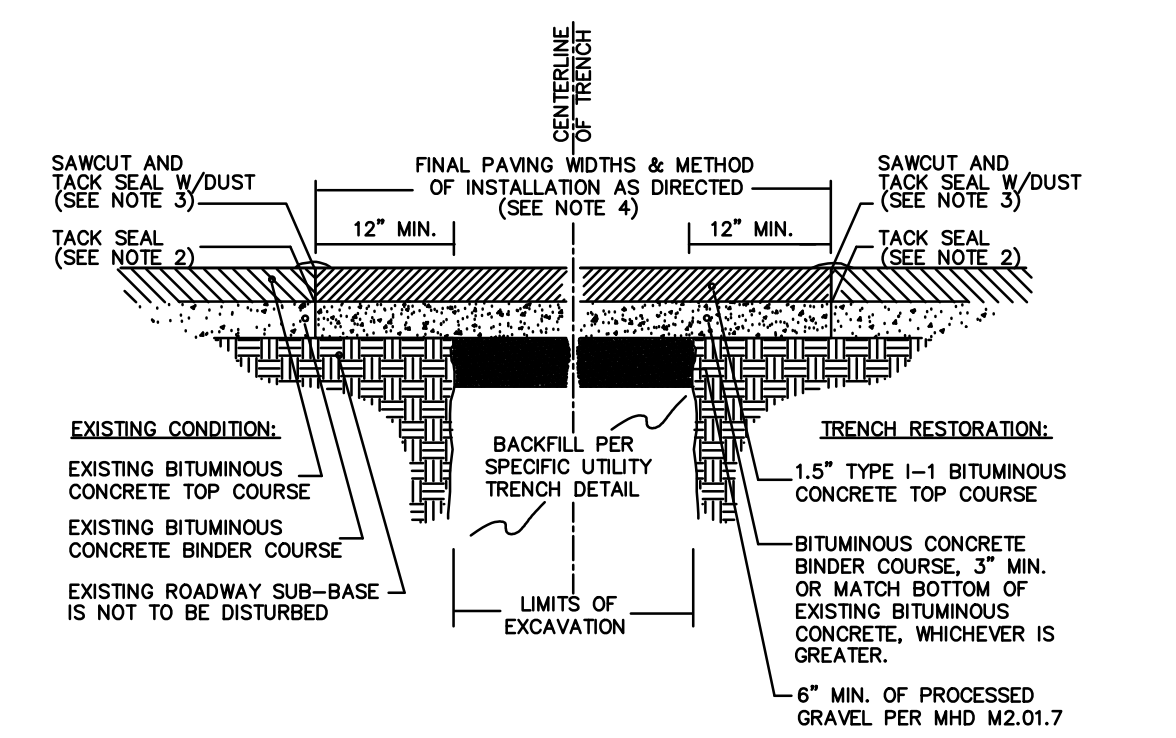
UNIT 3 PROPOSED SEWER PROFILE SCALE: 1" = 10' (HORIZONTAL) SCALE: 1" = 4' (VERTICAL)



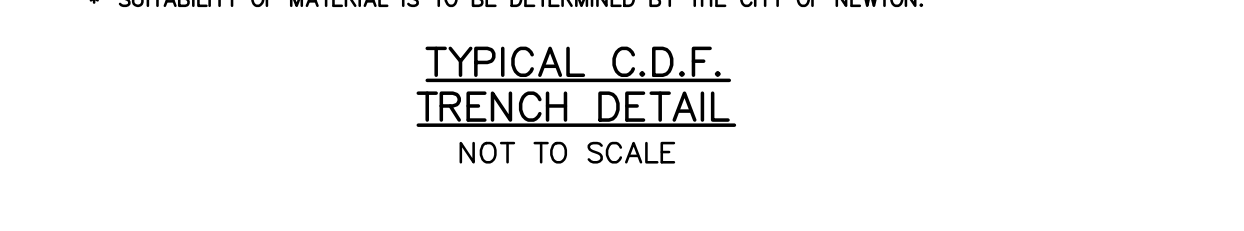
GRAVITY SEWER TRENCH DETAIL NOT TO SCALE. 1. GRAVEL BORROW SHALL CONFORM TO MASS HIGHWAY SPECIFICATION M1.03.0. 2. CRUSHED STONE BEDDING SHALL CONFORM TO MASS HIGHWAY SPECIFICATION M2.01.1.



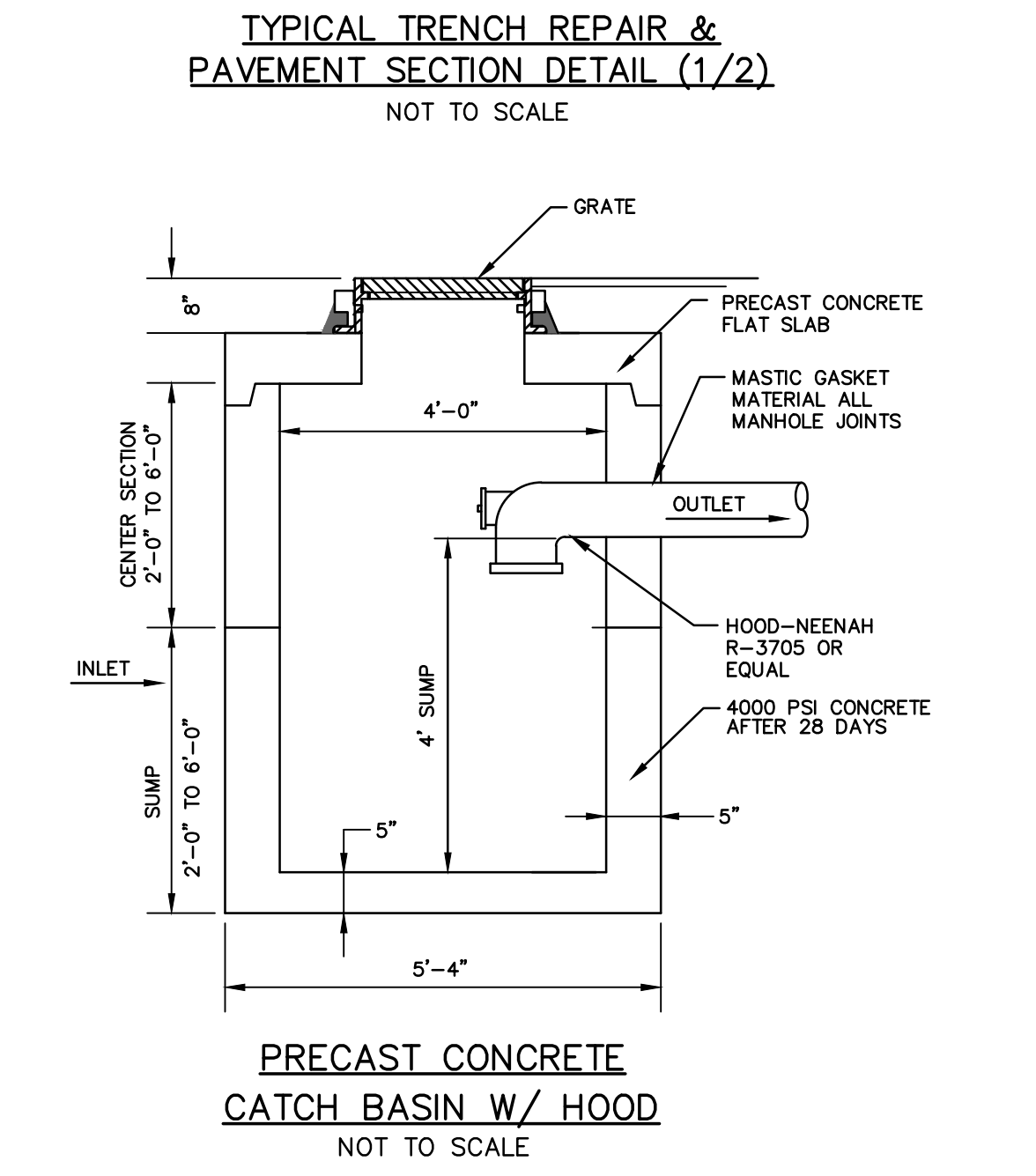
ROOF LEADER DETAIL NOT TO SCALE. SEE ARCHITECTURAL DRAWINGS FOR ROOF DRAIN SIZE AND MATERIAL. PROVIDE REVERSE WYE FOR CLEANOUT AND OVERFLOW.



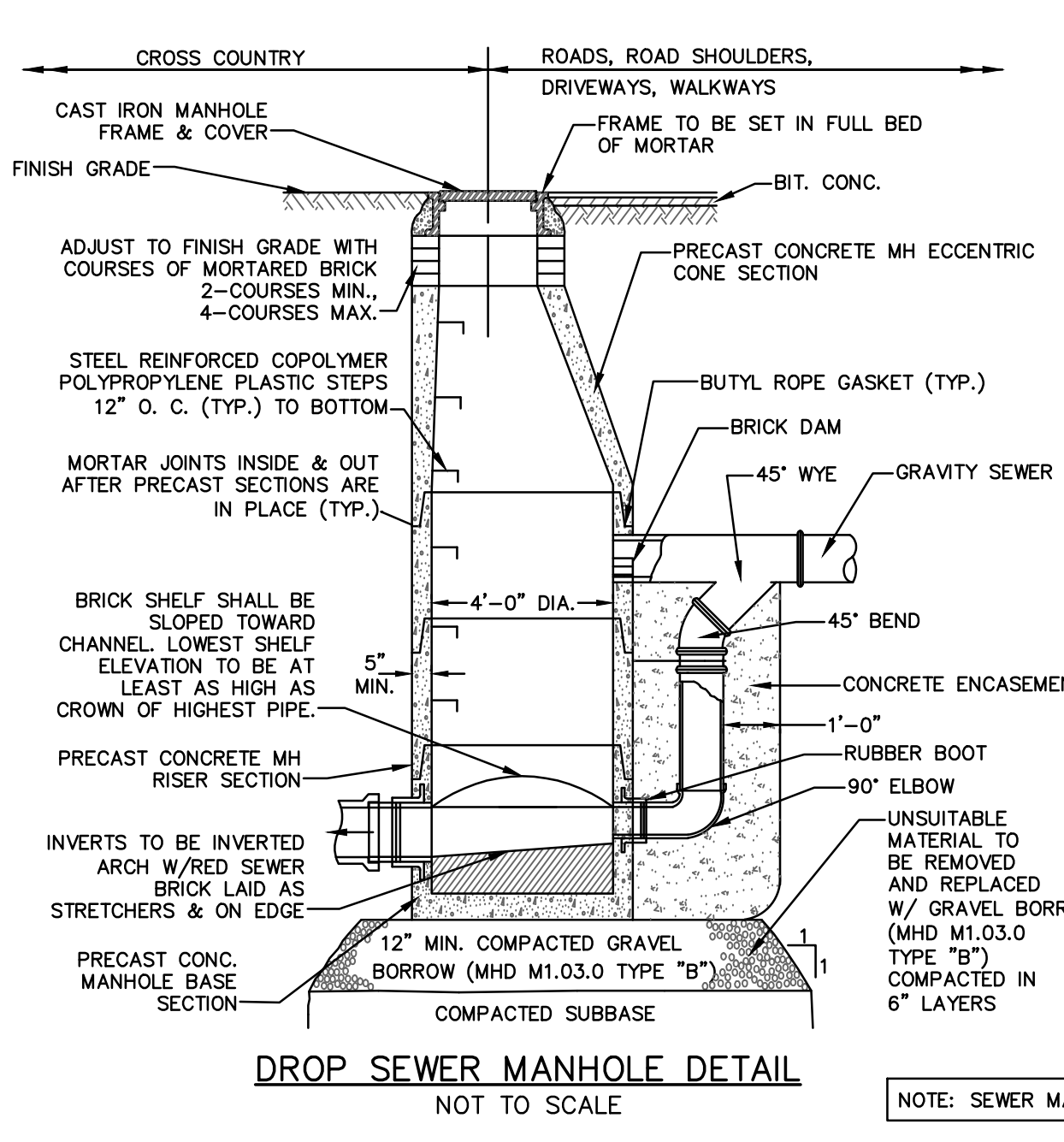
TYPICAL TRENCH REPAIR & PAVEMENT SECTION DETAIL (1/2) NOT TO SCALE. 1. ALL INSTALLATION AND MATERIAL SPECIFICATIONS PER MASS. HIGHWAY DEPARTMENT STANDARD SPECIFICATIONS FOR HIGHWAYS AND BRIDGES, 1988 AS AMENDED.



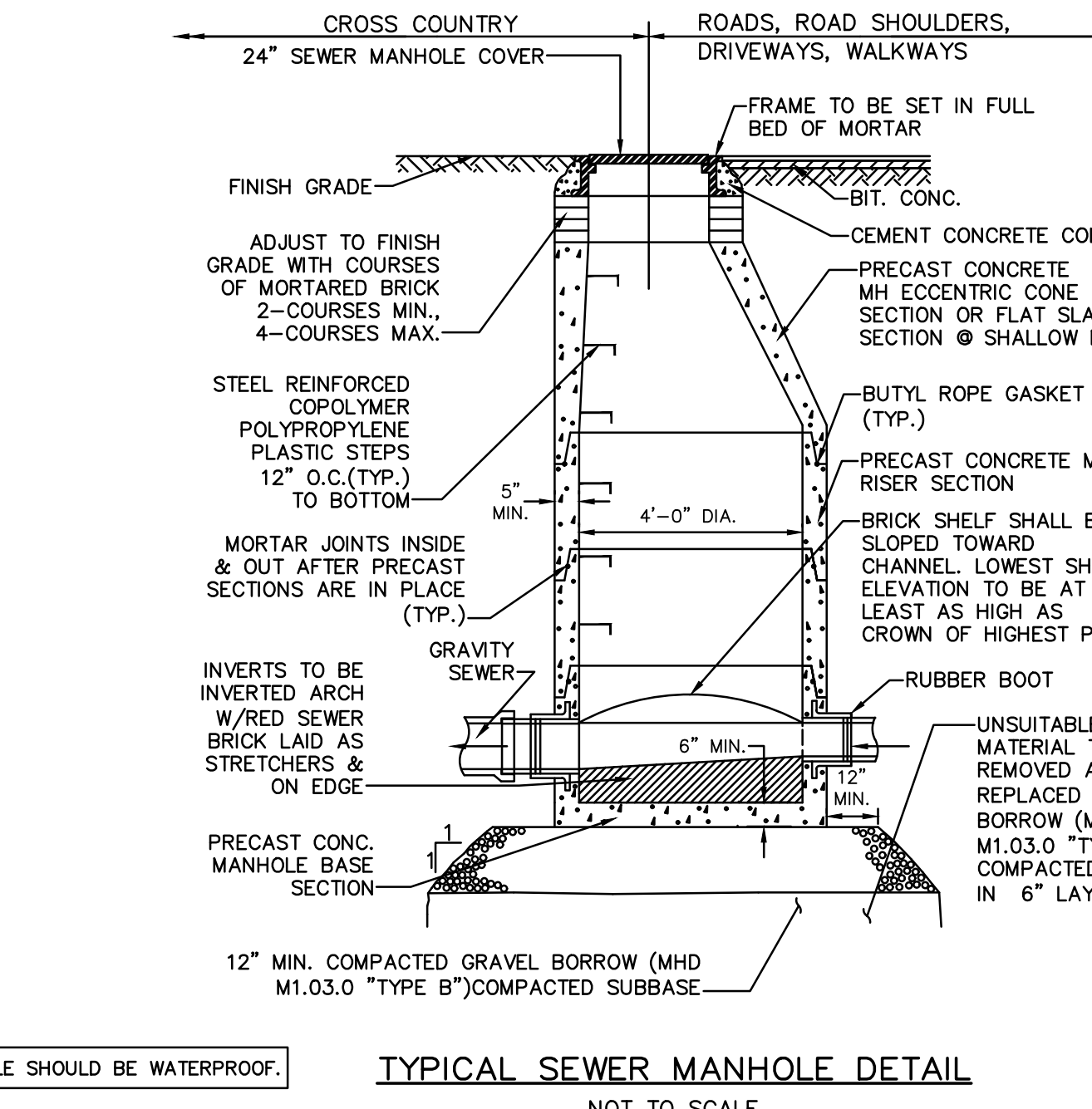
TYPICAL C.D.F. TRENCH DETAIL NOT TO SCALE. * SUITABILITY OF MATERIAL IS TO BE DETERMINED BY THE CITY OF NEWTON.



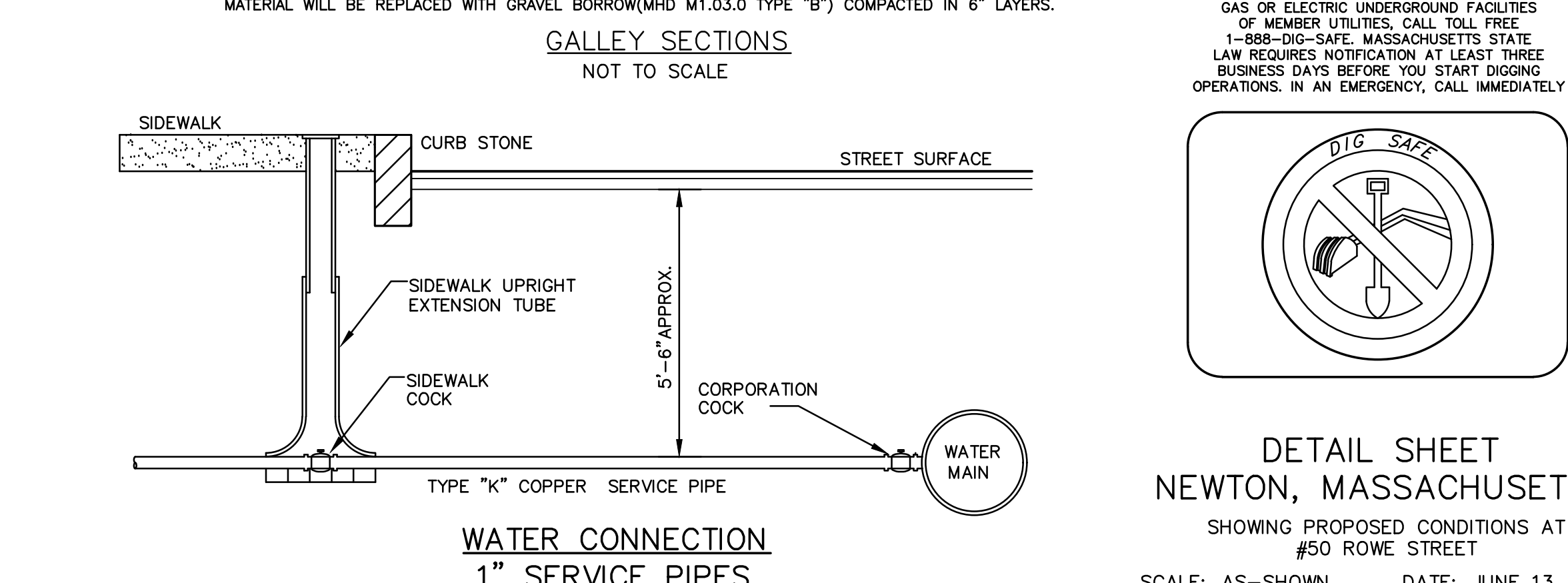
PRECAST CONCRETE CATCH BASIN W/ HOOD NOT TO SCALE.



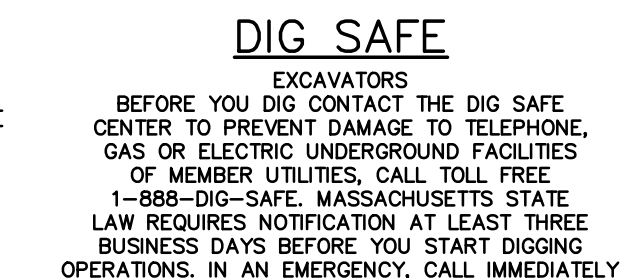
DROP SEWER MANHOLE DETAIL NOT TO SCALE. NOTE: SEWER MANHOLE SHOULD BE WATERPROOF.



TYPICAL SEWER MANHOLE DETAIL NOT TO SCALE.



WATER CONNECTION 1" SERVICE PIPES NOT TO SCALE. GALLEY SECTIONS NOT TO SCALE.



DIG SAFE EXCAVATORS BEFORE YOU DIG CONTACT THE DIG SAFE CENTER TO PREVENT DAMAGE TO TELEPHONE, GAS OR ELECTRIC UNDERGROUND FACILITIES OF MEMBER UTILITIES. CALL TOLL FREE 1-888-DIG-SAFE. MASSACHUSETTS STATE LAW REQUIRES NOTIFICATION AT LEAST THREE BUSINESS DAYS BEFORE YOU START DIGGING OPERATIONS. IN AN EMERGENCY, CALL IMMEDIATELY.

DETAIL SHEET NEWTON, MASSACHUSETTS SHOWING PROPOSED CONDITIONS AT #50 ROWE STREET SCALE: AS-SHOWN DATE: JUNE 13, 2016 PROJECT: 216132

VTP ASSOCIATES INC. LAND SURVEYORS - CIVIL ENGINEERS, 132 ADAMS STREET 2ND FLOOR SUITE 3 NEWTON, MA 02458 (617) 332-8271 SHEET 3 OF 3

