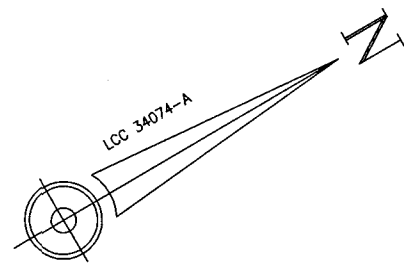


LOCUS MAP
(NOT TO SCALE)



SOUTHERN MIDDLESEX REGISTRY OF DEEDS:

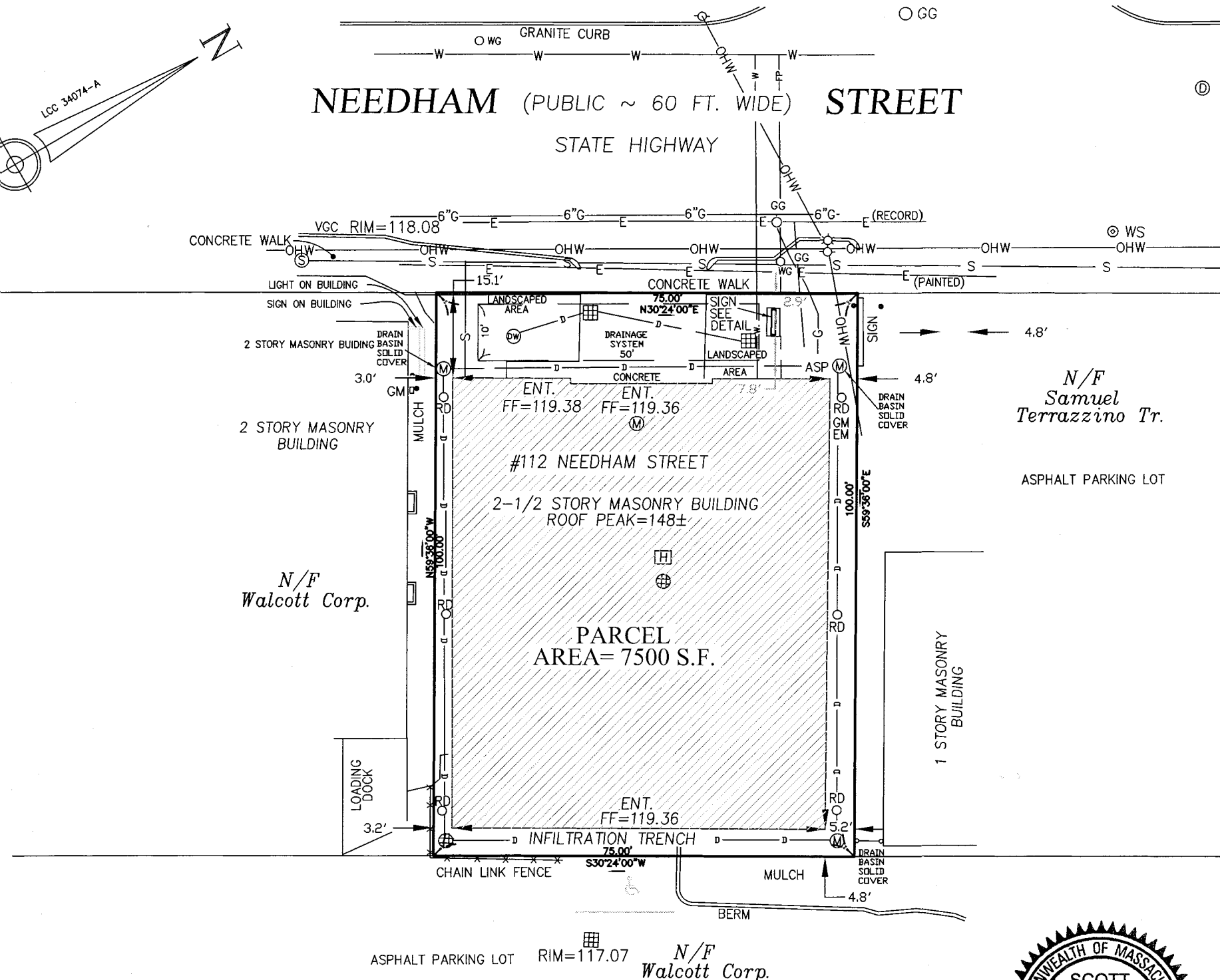
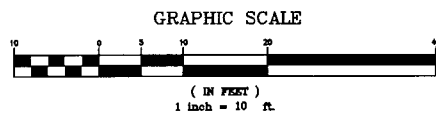
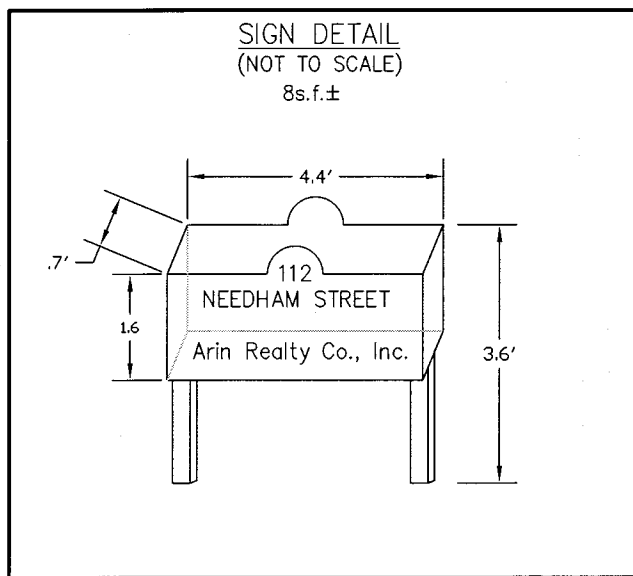
LAND REGISTRATION
DEED REFERENCE:
BK. 1452
PG. 55

OWNER:
112 NEEDHAM ST LLC
C/O ARIN REALTY CO INC

PLAN REFERENCE:
PLAN NO. 14175A

LEGEND

- MANHOLE
- SEWER MANHOLE
- DRY WELL
- ELECTRIC LINE
- GAS LINE
- SEWER LINE
- OVERHEAD WIRE
- UTILITY POLE WITH LIGHT
- BOLLARD
- HAND HOLE
- CATCH BASIN DRAIN
- ROOF DRAIN
- ELECTRIC METER
- GAS METER
- AUTO SPRINKLER

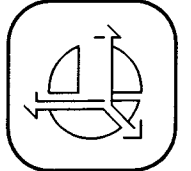


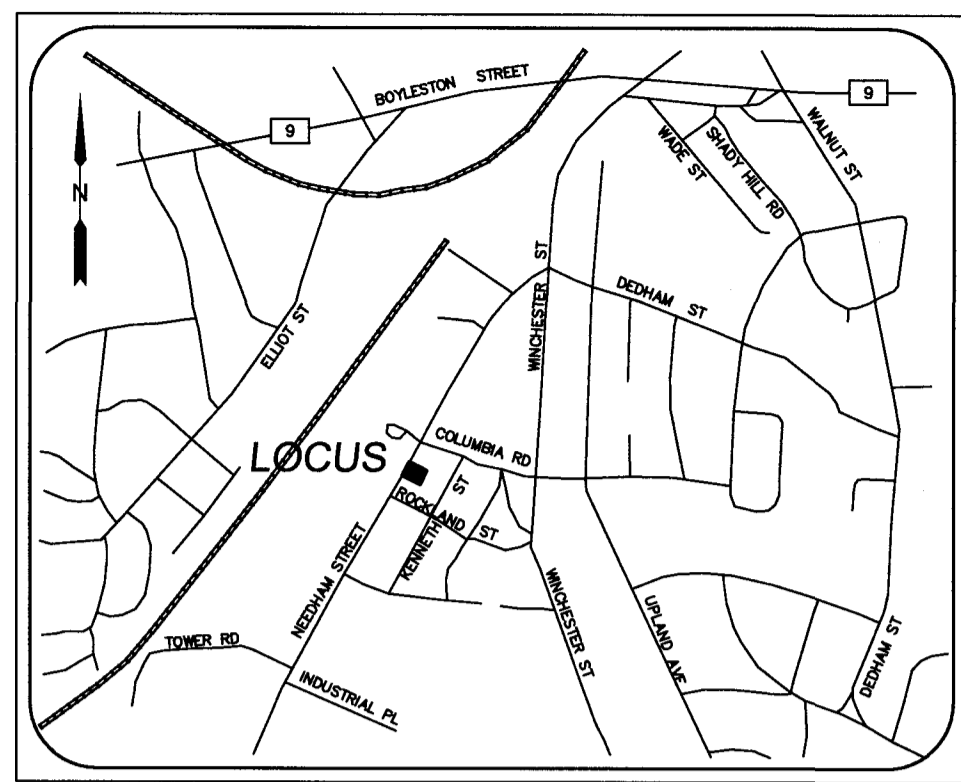
Scott D. Cameron
10/29/2018

REVISION - DATE	JOB NO.
NOV. 1, 2017	4047
NOV. 27, 2018	

ASBUILT/SIGN
112 NEEDHAM STREET
NEWTON, MASSACHUSETTS
Scale: 1"=10'
Date: JUNE 1, 2017
Drawn By: NPM
Checked By: SOC
Dwg: 4047NPM

R.E. Cameron & Associates, Inc.
Civil Engineers
Land Surveyors
681 Washington Street, Norwood Massachusetts 02062
Tel: (781) 769-1777 Fax: (781) 769-8644





LOCUS MAP
(NOT TO SCALE)

SOUTHERN MIDDLESEX REGISTRY OF DEEDS:

LAND REGISTRATION
DEED REFERENCE:
BK. 1452
PG. 55

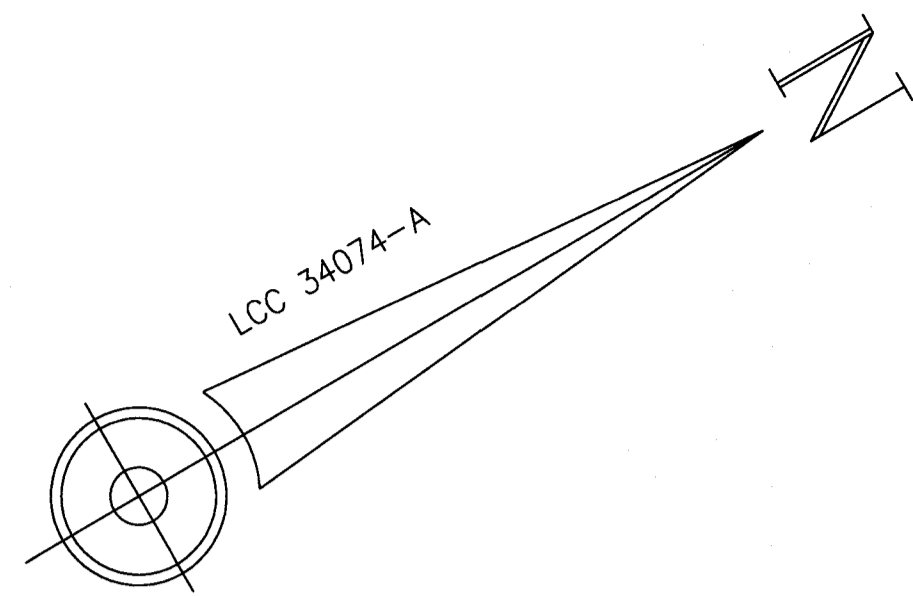
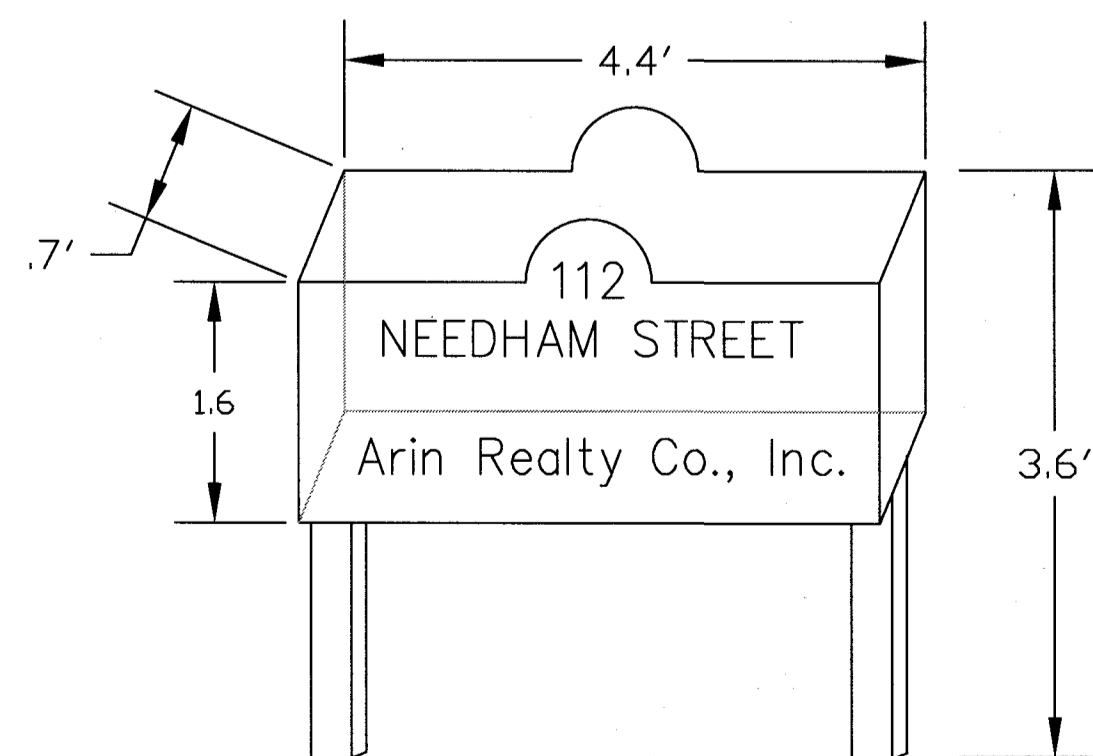
OWNER:
112 NEEDHAM ST LLC
C/O ARIN REALTY CO INC

PLAN REFERENCE:
PLAN NO. 14175A

LEGEND

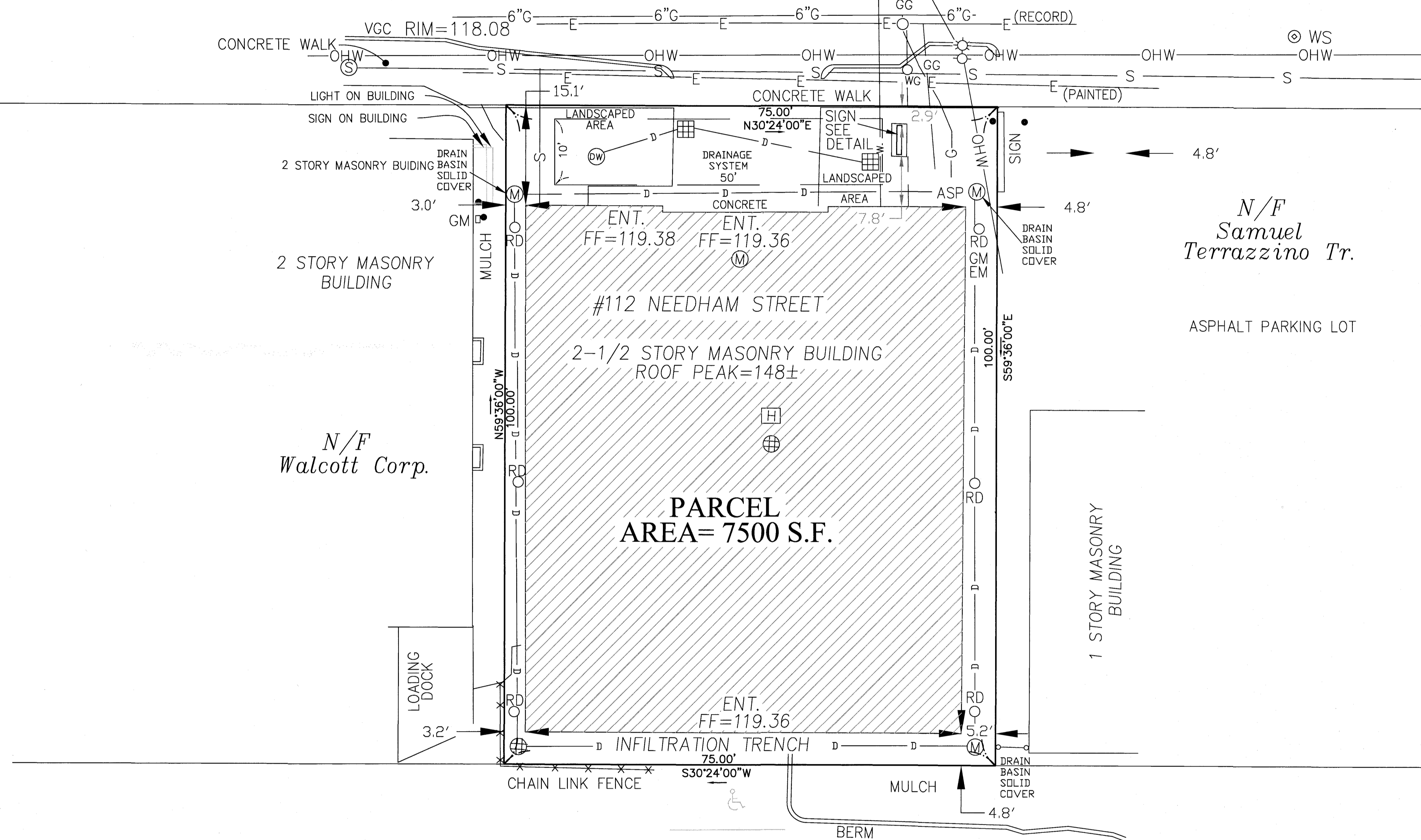
- (M) MANHOLE
- (S) SEWER MANHOLE
- (DW) DRY WELL
- (E) ELECTRIC LINE
- (G) GAS LINE
- (S) SEWER LINE
- (OHW) OVERHEAD WIRE
- (ULP) UTILITY POLE WITH LIGHT
- (B) BOLLARD
- (H) HAND HOLE
- (CBD) CATCH BASIN DRAIN
- (RDO) ROOF DRAIN
- (EM) ELECTRIC METER
- (GM) GAS METER
- (ASP) AUTO SPRINKLER

SIGN DETAIL
(NOT TO SCALE)
8s.f.±

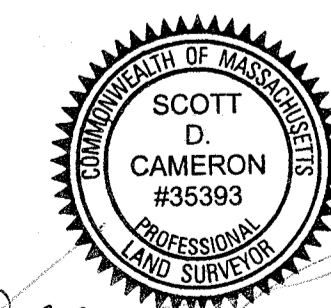
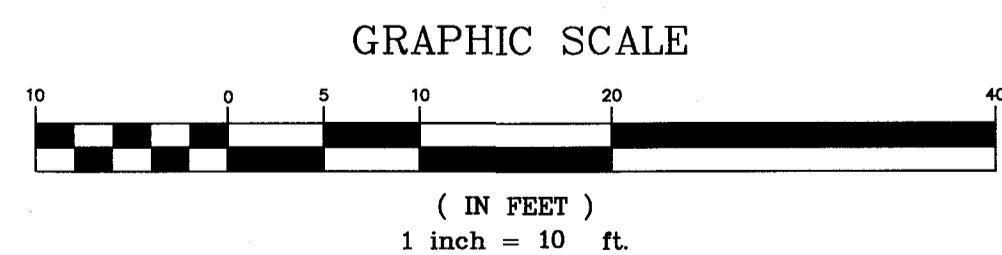


NEEDHAM (PUBLIC ~ 60 FT. WIDE) STREET

STATE HIGHWAY



ASPHALT PARKING LOT RIM=117.07 N/F Walcott Corp.



Scott D. Cameron
11/29/2018

REVISION	DATE
NOV. 1, 2017	
NOV. 27, 2018	

ASBUILT/SIGN
112 NEEDHAM STREET
NEWTON, MASSACHUSETTS

Scale: 1"=10'
Date: JUNE 1, 2017

Drawn By: MPM
Checked By: SDC

Job: 4047
DWG: 4047.MPM

R.E. Cameron & Associates, Inc.
Land Surveyors Civil Engineers
681 Washington Street, Norwood Massachusetts 02062
Tel: (781) 769-1777 Fax: (781) 769-8644