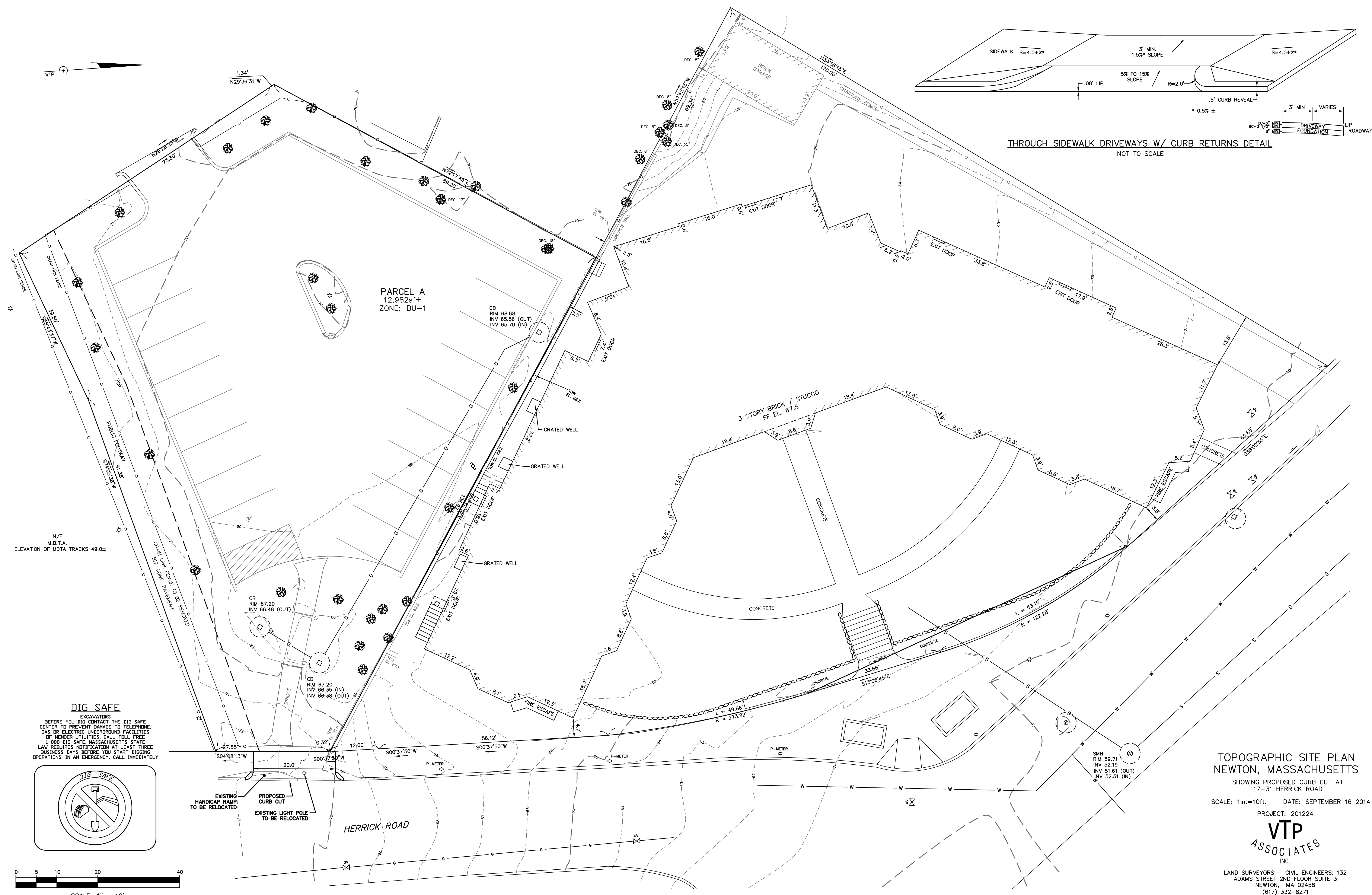


THROUGH SIDEWALK DRIVEWAYS W/ CURB RETURNS DETAIL
NOT TO SCALE

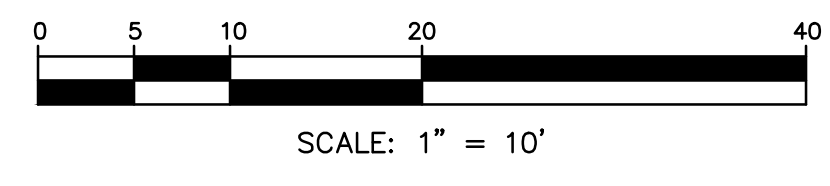
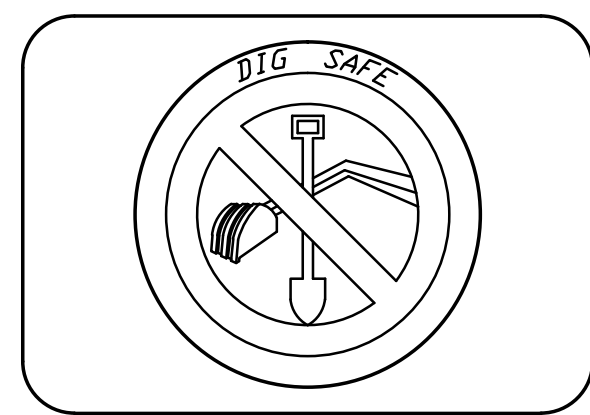
PARCEL A
12,982sf±
ZONE: BU-1



N/F
M.B.T.A.
ELEVATION OF MBTA TRACKS 49.0±

DIG SAFE

EXCAVATORS
BEFORE YOU DIG CONTACT THE DIG SAFE
CENTER TO PREVENT DAMAGE TO TELEPHONE,
GAS OR ELECTRIC UNDERGROUND FACILITIES
OF MEMBER UTILITIES. CALL TOLL FREE
1-888-DIG-SAFE. MASSACHUSETTS STATE
LAW REQUIRES NOTIFICATION AT LEAST THREE
BUSINESS DAYS BEFORE YOU START DIGGING
OPERATIONS. IN AN EMERGENCY, CALL IMMEDIATELY



TOPOGRAPHIC SITE PLAN
NEWTON, MASSACHUSETTS
SHOWING PROPOSED CURB CUT AT
17-31 HERRICK ROAD

SCALE: 1in.=10ft. DATE: SEPTEMBER 16 2014
PROJECT: 201224

VTP
ASSOCIATES
INC.

LAND SURVEYORS - CIVIL ENGINEERS, 132
ADAMS STREET, 2ND FLOOR, SUITE 3
NEWTON, MA 02458
(617) 332-8271