

Type:
Job:
Catalog number:

Approvals:

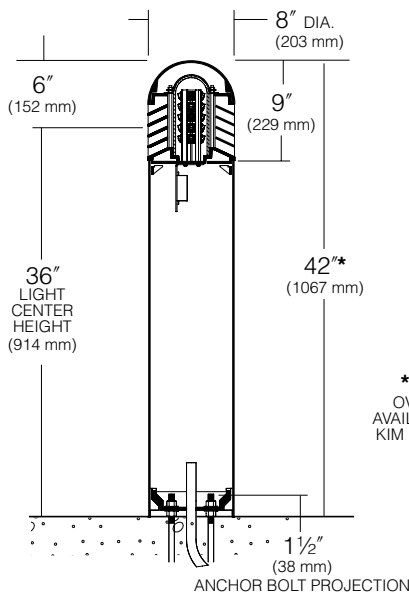
| | | | |
|-------------|-------------------|--|--------|
| VRB1 | / | / | / |
| Fixture | Electrical Module | Luminaire Finish (includes top cap and shaft) | Option |
| See page 2 | | | |

Date:
Page: 1 of 3

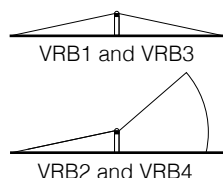
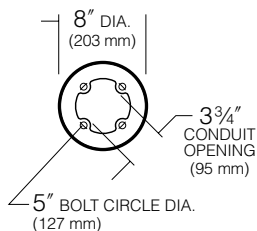
Specifications

VRB-LED Models
 10 - 20 Diodes

VRB1- Single Function Luminaire (Aluminum Shaft)
 Maximum weight: 30 lb



**BASE PLAN VRB
 ALUMINUM SHAFT**



Domed Top Cap: One-piece die-cast aluminum secured to louvers by concealed allen screws in keyhole slots. For relamping access, allen screws shall not require complete removal.

Louvers: Aluminum die-cast with vertical support ribs at 90° intervals. Horizontal louver blades shall have a 1 3/4" depth, a 65° upward pitch and provide light source cutoff above horizontal. Louver assembly shall be secured to shaft by four internal tie rods.

Lamp Enclosure: One-piece tempered molded glass with internal flutes and full gasketing at bottom edge.

Fixture Head: Allows flow-through ventilation around and above the lamp enclosure.

Shaft: One-piece extruded aluminum, .125" wall thickness with a heavy cast aluminum twist-lock anchor base concealed within the shaft. Concealed set screws shall lock shaft onto the cast anchor base.

Electronic Module: All electrical components are either UL or ETL recognized, mounted on a single plate and factory prewired with quick disconnect plugs. Driver is rated for -40°F starting and has a 0-10V dimming interface for multi-level illumination options.

Optical Module: Each LED equipped with a directional optic for maximum beam angle projecting through louver stack spacings. LED boards to be mounted to an anodized inter-locking heat sink extrusion. (Type I) two 5-LED boards for a total of 10-LED. (Type III) three 5-LED boards for a total of 15-LED. (Type V) four 5-LED boards for a total of 20-LED. Available in 580nm Amber, 3000K, 4200K and 5100K color temperatures.

Anchor Bolts: Four 3/8" x 10" + 2" zinc plated L-hooks, each with two nuts, washers and a rigid pressed board template.

Finish: Each luminaire receives a fade and abrasion resistant, electrostatically applied, thermally cured, triglycidal isocyanurate (TGIC) polyester powdercoat finish. Standard colors include (BL) Black, (DB) Dark Bronze, (WH) White, (PS) Platinum Silver, (SG) Stealth Gray, (LG) Light Gray, and (CC) Custom Color (Include RAL#).

Listed to: UL 1598 Standard for Luminaires - UL 8750 Standard for Safety for Light Emitting Diode (LED) Equipment for use in Lighting Products and CSA C22.2#250.0 Luminaires. RoHS compliant. Meets Buy American provisions within ARRA.

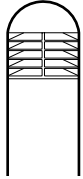
Warranty: Kim Lighting warrants Bollard LED products sold by Kim Lighting to be free from defects in material and workmanship for (i) a period of five (5) years for metal parts, (ii) a period of five (5) years for exterior housing paint finish(s), (iii) a period of five (5) years for LED Light Engines and, (iv) a period of five (5) years for LED power components (driver, surge protector and LifeShield® device), from the date of sale of such goods to the buyer as specified in Kim Lighting shipment documents for each product.

CAUTION: Fixtures must be grounded in accordance with national, state and/or local electrical codes. Failure to do so may result in serious personal injury.


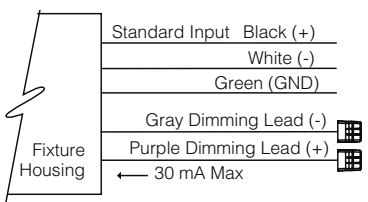
KIM LIGHTING RESERVES THE RIGHT TO CHANGE SPECIFICATIONS WITHOUT NOTICE

Type:

Job:

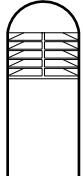


Standard and Optional Features

| | | | | |
|--|--|--|---|--|
| <p>Fixture</p> | <p>Cat. No. VRB1 Single Function, Aluminum Shaft, Domed Top</p> | | | |
| <p>Electrical Module LED = Light Emitting Diode</p> | <p>Cat. Nos. for LED Electrical Modules available:</p> <table border="0" style="width: 100%;"> <tr> <td style="text-align: center; vertical-align: top;"> <p>xL</p> <p>Source:</p> <p><input type="checkbox"/> 10L= 10 LED (IES Type I)</p> <p><input type="checkbox"/> 15L= 15 LED (IES Type III)</p> <p><input type="checkbox"/> 20L= 20 LED (IES Type V)</p> </td> <td style="text-align: center; vertical-align: top;"> <p>xK</p> <p>Color Temperature:</p> <p><input type="checkbox"/> 2K = 580nm - Amber</p> <p><input type="checkbox"/> 3K = 3000K</p> <p><input type="checkbox"/> 4K = 4200K</p> <p><input type="checkbox"/> 5K = 5100K</p> </td> <td style="text-align: center; vertical-align: top;"> <p>UV</p> <p>Voltage:</p> <p><input type="checkbox"/> UV Universal Voltage shall range from 120V-277V</p> </td> </tr> </table> | <p>xL</p> <p>Source:</p> <p><input type="checkbox"/> 10L= 10 LED (IES Type I)</p> <p><input type="checkbox"/> 15L= 15 LED (IES Type III)</p> <p><input type="checkbox"/> 20L= 20 LED (IES Type V)</p> | <p>xK</p> <p>Color Temperature:</p> <p><input type="checkbox"/> 2K = 580nm - Amber</p> <p><input type="checkbox"/> 3K = 3000K</p> <p><input type="checkbox"/> 4K = 4200K</p> <p><input type="checkbox"/> 5K = 5100K</p> | <p>UV</p> <p>Voltage:</p> <p><input type="checkbox"/> UV Universal Voltage shall range from 120V-277V</p> |
| <p>xL</p> <p>Source:</p> <p><input type="checkbox"/> 10L= 10 LED (IES Type I)</p> <p><input type="checkbox"/> 15L= 15 LED (IES Type III)</p> <p><input type="checkbox"/> 20L= 20 LED (IES Type V)</p> | <p>xK</p> <p>Color Temperature:</p> <p><input type="checkbox"/> 2K = 580nm - Amber</p> <p><input type="checkbox"/> 3K = 3000K</p> <p><input type="checkbox"/> 4K = 4200K</p> <p><input type="checkbox"/> 5K = 5100K</p> | <p>UV</p> <p>Voltage:</p> <p><input type="checkbox"/> UV Universal Voltage shall range from 120V-277V</p> | | |
| <p>Finish TGIC thermoset polyester powder coat paint applied over a titanated zirconium conversion coating on fixture and shaft.</p> | <p>Color: Black Dark Bronze Light Gray Stealth Gray Platinum Silver White Custom Color¹</p> <p>Cat. No.: <input type="checkbox"/> BL <input type="checkbox"/> DB <input type="checkbox"/> LG <input type="checkbox"/> SG <input type="checkbox"/> PS <input type="checkbox"/> WH <input type="checkbox"/> CC</p> <p>NOTE: Black and Dark Bronze colors will produce slightly less louver brightness than Light Gray or White.</p> <p>¹Custom colors subject to additional charges, minimum quantities and extended lead times. Consult representative. Custom color description: _____</p> | | | |
| <p>Battery Back-up Cat. No. <input type="checkbox"/> EM <input type="checkbox"/> No Option</p> | <p>Internal battery pack provides 90 minutes of supplemental light at 50% of initial lamp lumens.</p> <div style="text-align: right;">  <p>battery back-up</p> </div> | | | |
| <p>Optional Duplex Receptacle Cat. No. <input type="checkbox"/> DR <input type="checkbox"/> DR-GFI <input type="checkbox"/> No Option</p> | <p>Mounted 18" from bottom of shaft, in a cast aluminum box that is internally welded and sealed with a gasketed While-In-Use cover with locking tab. Painted to match bollard.</p> <p>DR weather proof duplex receptacle rated 20A, 125V.</p> <p>DR-GFI weather proof duplex receptacle with ground fault circuit interrupter rated 20A, 125V.</p> | | | |
| <p>0-10V Dimming Interface</p> | <p>Driver has a 0-10V dimming interface with a dimming range of 10-100%. Is compatible with most control systems including Hubbell Building Automation wiHUBB™. Approved dimmers include Lutron Diva AVTV, Lutron Nova NFTV and NTFTV. Note: Not compatible with current sourcing dimmers. Controls compatible via Gray and Purple dimming lead.</p> <div style="text-align: right;">  </div> | | | |

Type:

Job:



Lumen Data

| Spectroradiometric | | | |
|--------------------------------|---------------|---------------|---------------|
| | 3000K Average | 4200K Average | 5100K Average |
| Correlated Color Temp. CCT (K) | 2800K - 3175K | 3800K - 4600K | 4600K - 5600K |
| Color Rendering Index (CRI) | ≥75 | ≥70 | ≥65 |
| Power Factor | >.90 | >.90 | >.90 |

| Projected Lumen Maintenance | | |
|-----------------------------|------------|-------------|
| mA | 50,000 hrs | 100,000 hrs |
| 350mA | N/A | N/A |

Based on 20LED version.

| Electrical Drive Current - @350mA | | | | | | |
|-----------------------------------|-----------|--------------|-----------|--------------|-----------|--------------|
| Volts - AC | Type 1 | | Type 3 | | Type 5 | |
| | Amps - AC | System Watts | Amps - AC | System Watts | Amps - AC | System Watts |
| 120 | 0.11 | 13 | 0.16 | 19 | 0.21 | 25 |
| 208 | 0.06 | 13 | 0.09 | 19 | 0.12 | 25 |
| 240 | 0.05 | 13 | 0.08 | 19 | 0.10 | 25 |
| 277 | 0.05 | 13 | 0.07 | 19 | 0.09 | 25 |

| B.U.G. Rating (TM15) in Lumens where B = Backlight, U = Uplight, G = Glare | | | |
|--|----------|----------|----------|
| Temperature | TYPE 1 | TYPE 3 | TYPE 5 |
| 3000K | B1 U2 G1 | B1 U2 G1 | B1 U2 G1 |
| 4200K | B1 U2 G1 | B1 U2 G1 | B1 U2 G1 |
| 5100K | B1 U2 G1 | B1 U2 G1 | B1 U2 G1 |

| Absolute Lumens | | | |
|-----------------|--------|--------|--------|
| Temperature | TYPE 1 | TYPE 3 | TYPE 5 |
| 3000K | 396 | 567 | 811 |
| 4200K | 491 | 703 | 1005 |
| 5100K | 515 | 739 | 1057 |

LED performance and lumen output continues to improve at a rapid pace. Log onto www.kimlighting.com to download the most current photometric files from Kim Lighting's IES File Library. For custom optics and color temperature configurations, contact factory.

VIPER S

OPTICS

STRIKE

SMALL VIPER LUMINAIRE

Cat.#

Job

Type



Approvals

SPECIFICATIONS

Intended Use:

The Beacon Viper luminaire is available with a wide choice of different LED Wattage configurations and optical distributions designed to replace HID lighting up to 400W MH or HPS.

Construction:

- Manufactured with die cast aluminum.
- Coated with a polyester finish that meets ASTM B117 corrosion test requirements and ASTM D522 cracking and loss of adhesion test requirements.
- External hardware is corrosion resistant.
- One piece optical cartridge system consisting of an LED engine, LED lamps, optics, gasket and stainless steel bezel.
- Cartridge is held together with internal brass standoffs soldered to the board so that it can be field replaced as a one piece optical system.
- Two-piece silicone and micro-cellular polyurethane foam gasket ensures a weather-proof seal around each individual LED.

Electrical:

- 100V through 277V, 50 Hz to 60 Hz (UNV), or 347V or 480V input.
- Power factor is $\geq .90$ at full load.
- Dimming drivers are standard, but must contact factory to request wiring leads for purpose of external dimming controls.
- Component-to-component wiring within the luminaire may carry no more than 80% of rated load and is certified by UL for use at 600VAC at 90°C or higher.
- Plug disconnects are certified by UL for use at 600 VAC, 13A or higher. 13A rating applies to primary (AC) side only.
- Fixture electrical compartment shall contain all LED driver components and shall be provided with a push-button terminal block for AC power connections.
- Surge protection - 20kA.
- Optional 7-pin ANSI C136.41-2013 twist-lock photo control receptacle available. Compatible with ANSI C136.41 external wireless control devices.
- Lifeshield™ Circuit - protects luminaire from excessive temperature. The device shall activate at a specific, factory-preset temperature, and progressively reduce power over a finite temperature range. Operation shall be smooth and undetectable to the eye. Thermal circuit is designed to "fail on", allowing the luminaire to revert to full power in the event of an interruption of its power supply, or faulty wiring connection to the drivers. The device shall be able to co-exist with other 0-10V control devices (occupancy sensors, external dimmers, etc.).

Controls/Options:

- Available with an optional passive infrared (PIR) motion sensor capable of detecting motion 360° around the luminaire. When no motion is detected for the specified time, the Motion Response system reduces the wattage to factory preset level, reducing the light level accordingly. When motion is detected by the PIR sensor, the luminaire returns to full wattage and full light output. Please contact Beacon Products if project requirements vary from standard configuration.
- Available with Energeni for optional set dimming, timed dimming with simple delay, or timed dimming based on time of night (see www.beaconproducts.com/products/energeni).
- In addition, Viper can be specified with SiteSync™ wireless control system for reduction in energy and maintenance costs while optimizing light quality 24/7. For more details, see ordering information or visit: www.hubbellighting.com/sitesync

Installation:

- Mounting options for horizontal arm, vertical tenon or traditional arm mounting available. Mounting hardware included.

Finish:

- IFS polyester powder-coat electrostatically applied and thermocured. IFS finish consists of a five stage pretreatment regimen with a polymer primer sealer and top coated with a thermoset super TGIC polyester powder coat finish.
- The finish meets the AAMA 2604 performance specification which includes passing a 3000 hour salt spray test for corrosion resistance and resists cracking or loss of adhesion per ASTM D522 and resists surface impacts of up to 160 inch-pounds.

Certifications/Ratings:

- DesignLights Consortium (DLC) qualified, consult DLC website for more details: <http://www.designlights.org/QPL>
- Certified to UL 1598, UL 8750 and CSA C22.2 No.250.0
- IDA approved
- This product is approved by the Florida Fish and Wildlife Conservation Commission. Separate spec available at: <http://www.beaconproducts.com/products/vipersmall>

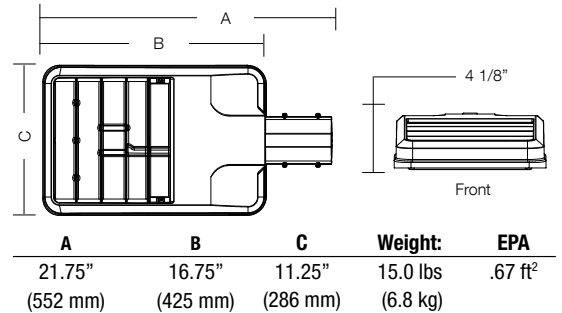
Warranty:

Five year limited warranty for more information visit: www.hubbellighting.com/resources/warranty

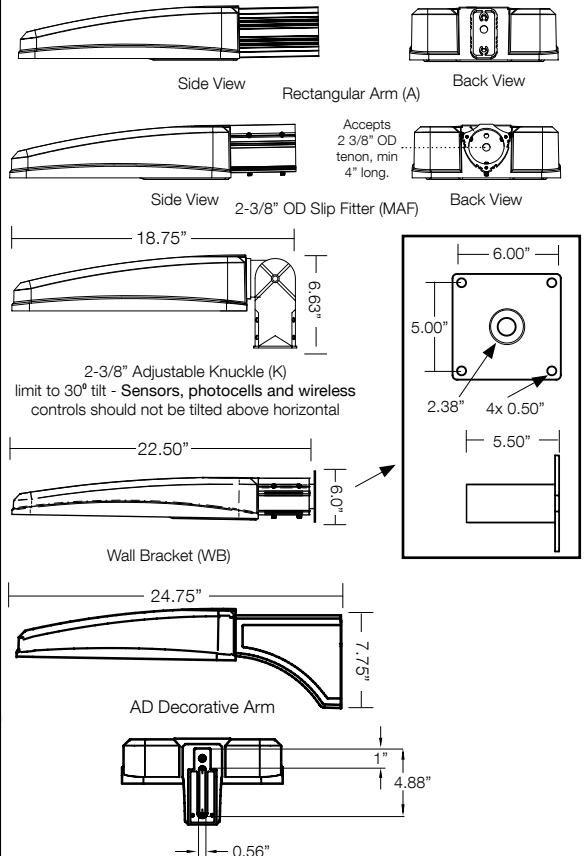
PRODUCT IMAGE(S)



DIMENSIONS



MOUNTING OPTIONS



CERTIFICATIONS/LISTINGS



*3000K and warmer CCTs only



Beacon Products • 2041 58th Avenue Circle East Bradenton, FL 34203 • Phone: 800-345-4928

Due to our continued efforts to improve our products, product specifications are subject to change without notice.

© 2017 BEACON PRODUCTS, All Rights Reserved • For more information visit our website: www.beaconproducts.com • Printed in USA APRIL 2, 2019 10:16 AM



ORDERING INFORMATION

ORDERING EXAMPLE: VPS/24L-55/4K7/4W/UNV/A/DBT/7PR-TL/GENI-04/BC

| VPS | | | | | | | | |
|-----------|--|--|--|---|--|--|--|--|
| SERIES | LED ENGINE | CCT/CRI ⁷ | ROTATION | VOLTAGE | COLOR | OPTIONS | | |
| VPS Viper | 24L-55 55W, LED array 36L-65 65W, LED array 36L-80 80W, LED array 48L-110 110W, LED array 60L-136 136W, LED array | 3K7 3000K, 70 CRI 4K7 4000K, 70 CRI 5K7 5000K, 70 CRI | Leave blank for no rotation L⁵ Optic rotation left R⁵ Optic rotation right | UNV 120-277V 120 120V 208 208V 240 240V 277 277V 347 347V 480 480V | BL Black Textured DB Dark Bronze Textured GYS Light Gray Smooth PS Platinum Silver Smooth WH White Textured CC Custom Color | F Fusing BSP Bird Spikes BC Backshield (available for FR, 2, 3, 4, 4W Optics) | | |

DISTRIBUTION

- FR** Type 1/Front Row
- 2** Type 2
- 3** Type 3
- 4** Type 4
- 4W** Type 4 Wide
- 5QM** Type 5QM
- 5R** Type 5R (rectangular)
- 5W** Type 5W (round wide)
- TC** Tennis Court

MOUNTING

- A** Rectangular Arm (formerly RA) for square or round pole
- MAF** Mast Arm Fitter (formerly SF2) for 2-3/8" OD horizontal arm
- K** Knuckle (formerly PK2) limit to 45° tilt or 2-3/8" OD horizontal arm or vertical tenon
- WB** Wall Bracket
- AD** Universal Arm for square pole
- AD3** Universal Arm for 2.4"-4.1" round pole
- AD4** Universal Arm for 4.2"-5.3" round pole
- AD5** Universal Arm for 5.5"-5.9" round pole
- AD6** Universal Arm for 6.0"-6.5" round pole

CONTROL OPTIONS

- 7PR** 7-Pin Receptacle only (shorting cap, photo control, or wireless control provided by others)
- 7PR-SC** 7-Pin Receptacle w/Shorting Cap
- 7PR-TL** 7-Pin Receptacle w/Twist Lock photo control
- SCP/_F^{1,2,6}** Programmable Occupancy Sensor w/ daylight control
- GENI-XX³** ENERGENI
- SWP^{1,4}** SiteSync Pre-Commission
- SWPM^{1,2,4}** SiteSync Pre-Comm w/ Sensor

HOUSE SIDE SHIELD ACCESSORIES

- HSS/VP-S/90-FB/XXX** 90° shield front or back
- HSS/VP-S/90-LR/XXX** 90° shield left or right
- HSS/VP-S/270-FB/XXX** 270° shield front or back
- HSS/VP-S/270-LR/XXX** 270° shield left or right
- HSS/VP-S/360/XXX** Full shield

(Replace XXX with notation for desired finish color)
(Refer to page 5 for shield images)

MOUNTING ACCESSORIES

- VPL-AD-RPA3** 2.4"-4.1" Round Pole Adapter for AD arm
- VPL-AD-RPA4** 4.2"-5.3" Round Pole Adapter for AD arm
- VPL-AD-RPA5** 5.5"-5.9" Round Pole Adapter for AD arm
- VPL-AD-RPA6** 6.0"-6.5" Round Pole Adapter for AD arm

¹ Not available with other wireless control or sensor options
² Specify mounting height; 8=8' or less, 40=40'
³ Specify routine setting code (example GENI-04). See ENERGENI brochure and instructions for setting table and options. Not available with sensor or SiteSync options.
⁴ Specify group and zone at time of order. See www.hubbellighting.com/sitesync for further details. Order at least one SiteSync interface accessory SWUSB or SWTAB. Each option contains SiteSync License, GUI, and Bridge Node
⁵ Only available with 1A, 2, 3, 4, 4W and 5R distributions
⁶ Order at least one SCP-REMOTE per project location to program and control the occupancy sensor.
⁷ This product is approved by the Florida Fish and Wildlife Conservation Commission. Separate spec available at: http://cdn.beaconproducts.com/content/products/specs/specs_files/Viper_Small_LED_turtle_spec_sheet.pdf

Accessories and Services (Ordered Separately)

| Catalog Number | Description |
|-------------------|--|
| SWUSB* | SiteSync interface software loaded on USB flash drive for use with owner supplied PC (Windows based only). Includes SiteSync license, software and USB radio bridge node |
| SWTAB* | Windows tablet and SiteSync interface software. Includes tablet with preloaded software, SiteSync license and USB radio bridge node. |
| SWBRG | SiteSync USB radio bridge node only. Order if a replacement is required or if an extra bridge node is requested. |
| SCP-REMOTE | Remote Control for SCP/_F option. Order at least one per project to program and control |
| SW7PR* | SiteSync 7 Pin on fixture module On/Off/Dim, Daylight Sensor 120-480VAC |

* When ordering SiteSync at least one of these two interface options must be ordered per project.
 + Available as a SiteSync retrofit solution for fixtures with an existing 7pin receptacle.

Hubbell Control Solutions - Accessories (sold separately)

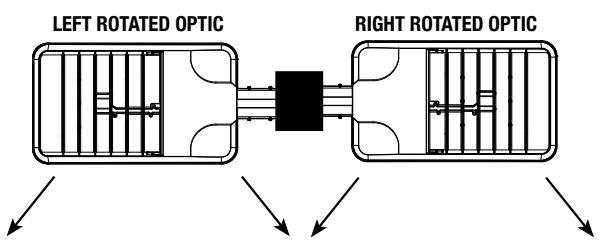
| Catalog Number | Description | HCS System |
|-----------------------|--|------------------------------|
| NXOFM-1R1D-UNV | On-fixture Module (7-pin), On / Off / Dim, Daylight Sensor with HubbNET Radio and Bluetooth® Radio, 120-480VAC | NX Distributed Intelligence™ |
| WIR-RME-L | On-fixture Module (7-pin or 5-pin), On / Off / Dim, Daylight Sensor with wiSCAPE Radio, 110-480VAC | wiSCAPE® Lighting Control |

For additional information related to these accessories please visit www.hubbellcontrolsolutions.com. Options provided for use with integrated sensor, please view specification sheet ordering information table for details.

PRECOMMISSIONED SITESYNC ORDERING INFORMATION: When ordering a fixture with the SiteSync lighting control option, additional information will be required to complete the order. The SiteSync Commissioning Form or alternate schedule information must be completed. This form includes Project location, Group information, and Operating schedules. For more detailed information please visit www.hubbell-automation.com/products/sitesync/ or contact Hubbell Lighting tech support at (800) 345-4928.

SiteSync fixtures with Motion control (SWPM) require the mounting height of the fixture for selection of the lens.

Examples: VPS/24L-55/4K7/3/UNV/A/DBT/SWP/ SiteSync only
 VPS/24L-55/4K7/3/UNV/A/DBT/SWPM-40F/ SiteSync with Motion Control



SiteSync 7-Pin Module



- SiteSync features in a new form
- Available as an accessory for new construction or retrofit applications (with existing 7-Pin receptacle)
- Does not interface with occupancy sensors



PERFORMANCE DATA

| # LED'S | DRIVE CURRENT (MILLIAMPS) | SYSTEM WATTS | DISTRIBUTION TYPE | 5K (5000K nominal, 70 CRI) | | | | | 4K (4000K nominal, 70 CRI) | | | | | 3K (3000K nominal, 70 CRI) | | | | |
|---------|---------------------------|--------------|-------------------|-------------------------------|------------------|---|---|---|-------------------------------|------------------|---|---|---|-------------------------------|------------------|---|---|---|
| | | | | LUMENS | LPW ¹ | B | U | G | LUMENS | LPW ¹ | B | U | G | LUMENS | LPW ¹ | B | U | G |
| 24 | 700 mA | 55W | FR | 6357 | 118 | 1 | 0 | 1 | 6486 | 120 | 1 | 0 | 1 | 5804 | 107 | 1 | 0 | 1 |
| | | | 2 | 6132 | 114 | 1 | 0 | 1 | 6257 | 116 | 1 | 0 | 2 | 5599 | 104 | 1 | 0 | 1 |
| | | | 3 | 6015 | 111 | 1 | 0 | 2 | 6137 | 114 | 1 | 0 | 2 | 5492 | 102 | 1 | 0 | 2 |
| | | | 4 | 5921 | 110 | 1 | 0 | 2 | 6034 | 112 | 1 | 0 | 2 | 5400 | 100 | 1 | 0 | 2 |
| | | | 4W | 5805 | 108 | 1 | 0 | 2 | 5921 | 110 | 1 | 0 | 2 | 5282 | 98 | 1 | 0 | 2 |
| | | | 5QM | 6022 | 112 | 2 | 0 | 1 | 6145 | 114 | 2 | 0 | 1 | 5499 | 102 | 2 | 0 | 1 |
| | | | 5R | 6063 | 112 | 3 | 0 | 3 | 6187 | 115 | 3 | 0 | 3 | 5536 | 103 | 3 | 0 | 3 |
| | | | 5W | 5908 | 109 | 3 | 0 | 1 | 6028 | 112 | 3 | 0 | 1 | 5908 | 102 | 3 | 0 | 1 |
| | | | TC | 6183 | 115 | 1 | 0 | 1 | 6309 | 118 | 1 | 0 | 1 | 5645 | 105 | 1 | 0 | 1 |
| 36 | 560 mA | 65W | FR | 7864 | 121 | 1 | 0 | 1 | 8041 | 124 | 1 | 0 | 1 | 7189 | 111 | 1 | 0 | 1 |
| | | | 2 | 7586 | 117 | 1 | 0 | 2 | 7757 | 119 | 1 | 0 | 2 | 6934 | 107 | 1 | 0 | 2 |
| | | | 3 | 7441 | 114 | 1 | 0 | 2 | 7609 | 117 | 1 | 0 | 2 | 6802 | 105 | 1 | 0 | 2 |
| | | | 4 | 7317 | 110 | 1 | 0 | 2 | 7482 | 112 | 1 | 0 | 2 | 6688 | 100 | 1 | 0 | 2 |
| | | | 4W | 7325 | 113 | 1 | 0 | 2 | 7490 | 115 | 1 | 0 | 2 | 6696 | 103 | 1 | 0 | 2 |
| | | | 5QM | 7450 | 115 | 3 | 0 | 1 | 7618 | 117 | 3 | 0 | 1 | 6810 | 105 | 3 | 0 | 1 |
| | | | 5R | 7501 | 115 | 3 | 0 | 3 | 7670 | 118 | 3 | 0 | 3 | 6857 | 105 | 3 | 0 | 3 |
| | | | 5W | 7309 | 112 | 3 | 0 | 2 | 7473 | 115 | 3 | 0 | 2 | 6681 | 103 | 3 | 0 | 1 |
| | | | TC | 7864 | 121 | 1 | 0 | 1 | 8041 | 124 | 1 | 0 | 1 | 7189 | 111 | 1 | 0 | 1 |
| 36 | 700 mA | 80W | FR | 9535 | 118 | 1 | 0 | 1 | 9730 | 120 | 1 | 0 | 1 | 8706 | 107 | 1 | 0 | 1 |
| | | | 2 | 9197 | 114 | 1 | 0 | 2 | 9385 | 116 | 1 | 0 | 2 | 8398 | 104 | 1 | 0 | 2 |
| | | | 3 | 9022 | 111 | 1 | 0 | 2 | 9206 | 114 | 1 | 0 | 2 | 8238 | 102 | 1 | 0 | 2 |
| | | | 4 | 8871 | 110 | 1 | 0 | 2 | 9052 | 112 | 1 | 0 | 2 | 8100 | 100 | 1 | 0 | 2 |
| | | | 4W | 8707 | 108 | 1 | 0 | 2 | 8881 | 110 | 1 | 0 | 2 | 7923 | 98 | 1 | 0 | 2 |
| | | | 5QM | 9033 | 112 | 3 | 0 | 1 | 9217 | 114 | 3 | 0 | 1 | 8248 | 102 | 3 | 0 | 1 |
| | | | 5R | 9095 | 112 | 3 | 0 | 3 | 9280 | 115 | 3 | 0 | 3 | 8304 | 103 | 3 | 0 | 3 |
| | | | 5W | 8861 | 109 | 3 | 0 | 2 | 9043 | 112 | 3 | 0 | 2 | 8092 | 100 | 3 | 0 | 2 |
| | | | TC | 9275 | 115 | 1 | 0 | 1 | 9464 | 118 | 1 | 0 | 1 | 8468 | 105 | 1 | 0 | 1 |
| 48 | 700 mA | 110W | FR | 12713 | 118 | 1 | 0 | 1 | 12973 | 120 | 2 | 0 | 1 | 11608 | 107 | 1 | 0 | 1 |
| | | | 2 | 12263 | 114 | 2 | 0 | 2 | 12513 | 116 | 2 | 0 | 2 | 11197 | 104 | 2 | 0 | 2 |
| | | | 3 | 12029 | 111 | 2 | 0 | 2 | 11275 | 114 | 2 | 0 | 2 | 10984 | 102 | 1 | 0 | 2 |
| | | | 4 | 11828 | 110 | 1 | 0 | 3 | 12069 | 112 | 1 | 0 | 3 | 10800 | 100 | 1 | 0 | 2 |
| | | | 4W | 11609 | 108 | 1 | 0 | 3 | 11841 | 110 | 1 | 0 | 3 | 10564 | 98 | 1 | 0 | 3 |
| | | | 5QM | 12044 | 112 | 3 | 0 | 2 | 12290 | 114 | 3 | 0 | 2 | 10997 | 102 | 3 | 0 | 1 |
| | | | 5R | 12126 | 112 | 3 | 0 | 3 | 12374 | 115 | 3 | 0 | 3 | 11072 | 103 | 3 | 0 | 3 |
| | | | 5W | 12126 | 109 | 4 | 0 | 2 | 12057 | 112 | 4 | 0 | 2 | 10789 | 100 | 4 | 0 | 2 |
| | | | TC | 12366 | 115 | 1 | 0 | 2 | 12619 | 118 | 1 | 0 | 2 | 11290 | 105 | 1 | 0 | 2 |
| 60 | 700 mA | 136W | FR | 15891 | 117 | 2 | 0 | 2 | 16216 | 120 | 2 | 0 | 2 | 14511 | 107 | 2 | 0 | 1 |
| | | | 2 | 15329 | 113 | 2 | 0 | 2 | 15642 | 116 | 2 | 0 | 2 | 13997 | 103 | 2 | 0 | 2 |
| | | | 3 | 15037 | 111 | 2 | 0 | 3 | 15344 | 113 | 2 | 0 | 3 | 13730 | 101 | 2 | 0 | 3 |
| | | | 4 | 14784 | 109 | 1 | 0 | 3 | 15086 | 111 | 1 | 0 | 3 | 13500 | 100 | 1 | 0 | 3 |
| | | | 4W | 14511 | 108 | 2 | 0 | 4 | 14802 | 110 | 2 | 0 | 4 | 13205 | 98 | 2 | 0 | 3 |
| | | | 5QM | 15055 | 111 | 3 | 0 | 2 | 15362 | 114 | 3 | 0 | 2 | 13747 | 102 | 3 | 0 | 2 |
| | | | 5R | 15158 | 112 | 4 | 0 | 4 | 15469 | 114 | 4 | 0 | 4 | 13841 | 102 | 4 | 0 | 4 |
| | | | 5W | 14781 | 109 | 4 | 0 | 2 | 15083 | 111 | 4 | 0 | 2 | 13495 | 100 | 4 | 0 | 2 |
| | | | TC | 15458 | 115 | 1 | 0 | 2 | 15834 | 118 | 1 | 0 | 2 | 14113 | 105 | 1 | 0 | 2 |



PHOTOMETRICS

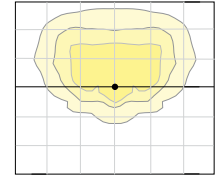
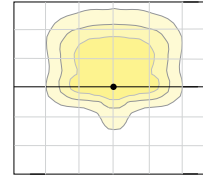
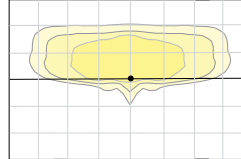
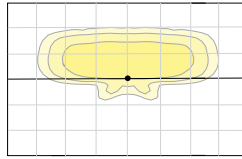
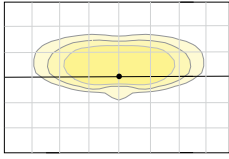
Type FR - Front Row/Auto Optic

Type 2

Type 3

Type 4

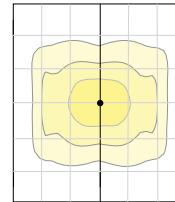
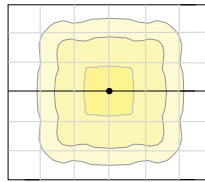
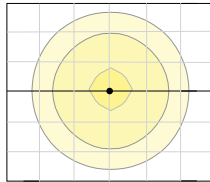
Type 4W



Type 5W

Type 5QM

Type 5R



*Lumen values are from photometric tests performed in accordance with IESNA LM-79-08. Data is considered to be representative of the configurations shown. Actual performance may differ as a result of end-use environment and application.

ELECTRICAL DATA

| # OF LEDS | NUMBER OF DRIVERS | DRIVE CURRENT (mA) | INPUT VOLTAGE (V) | SYSTEM POWER (w) | CURRENT (Amps) |
|-----------|-------------------|--------------------|-------------------|------------------|----------------|
| 24 | 2 | 700 mA | 120 | 55 | 0.5 |
| | | | 277 | | 0.2 |
| | | | 347 | | 0.2 |
| | | | 480 | | 0.1 |
| 36 | 1 | 560 mA | 120 | 65 | 0.65 |
| | | | 277 | | 0.28 |
| | | | 347 | | 0.22 |
| | | | 480 | | 0.16 |
| | 700 mA | 80 | 120 | 0.7 | |
| | | | 277 | 0.3 | |
| | | | 347 | 0.2 | |
| | | | 480 | 0.2 | |
| 48 | 1 | 700 mA | 120 | 110 | 0.9 |
| | | | 277 | | 0.4 |
| | | | 347 | | 0.3 |
| | | | 480 | | 0.2 |
| 60 | 1 | 700 mA | 120 | 136 | 1.1 |
| | | | 277 | | 0.5 |
| | | | 347 | | 0.4 |
| | | | 480 | | 0.3 |

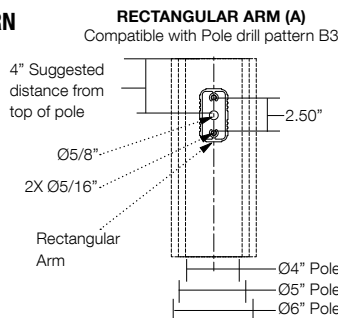
PROJECTED LUMEN MAINTENANCE

| AMBIENT TEMP. | 0 | 25,000 | 50,000 | TM-21-11 60,000 | 100,000 | Calculated L70 (HOURS) |
|---------------|------|--------|--------|-----------------|---------|------------------------|
| 25°C / 77°C | 1.00 | 0.97 | 0.95 | 0.95 | 0.92 | >377,000 |

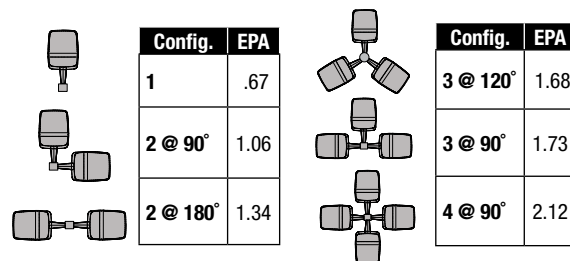
¹ Projected per IESNA TM-21-11

Data references the extrapolated performance projections for the base model in a 25°C ambient, based on 10,000 hours of LED testing per IESNA LM-80-08.

DRILL PATTERN



EPA



TENON TOP POLE BRACKET ACCESSORIES (Order Separately)

(2 3/8" OD tenon)

| Catalog Number | Description |
|----------------|---|
| SETAVP-XX | Square tenon adapter (4 at 90°) for A - Rectangular Arm mounting option only |
| RETAVP-XX | Round tenon adapter (4 at 90°) for A - Rectangular Arm mounting option only |
| TETAVP-XX | Hexagonal tenon adapter (4 at 90°) for A - Rectangular Arm mounting option only |
| SETA2XX | Square tenon adapter (4 at 90°) for AD - Universal Arm mounting option only |
| RETA2XX | Round tenon adapter (4 at 90°) for AD3 - Universal Arm mounting option only |
| TETA2XX | Hexagonal tenon adapter (3 at 120°) for AD - Universal Arm mounting option only |



Beacon Products • 2041 58th Avenue Circle East Bradenton, FL 34203 • Phone: 800-345-4928

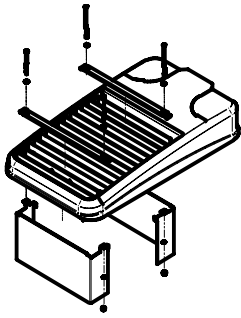
Due to our continued efforts to improve our products, product specifications are subject to change without notice.

© 2017 BEACON PRODUCTS, All Rights Reserved • For more information visit our website: www.beaconproducts.com • Printed in USA APRIL 2, 2019 10:16 AM

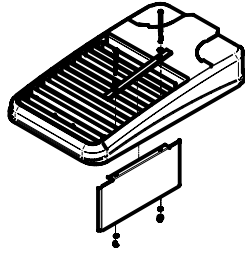


HUBBELL
Lighting

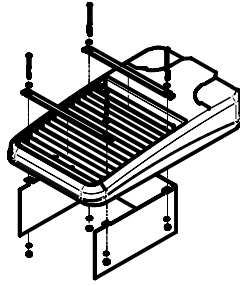
HOUSE SIDE SHIELD FIELD INSTALL ACCESSORIES



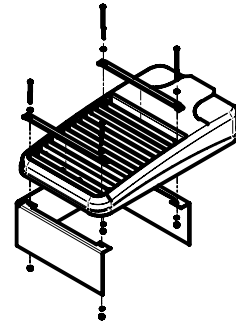
HSS/VP-S/90-FB/XXX
90° shield front or back
(2 shields shown)



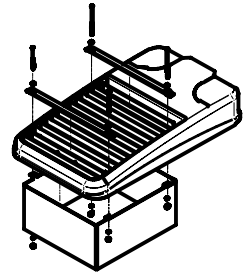
HSS/VP-S/90-LR/XXX
90° shield left or right
(1 shield shown in left orientation)



HSS/VP-S/270-FB/XXX
270° shield front or back
(1 shield shown in back orientation)

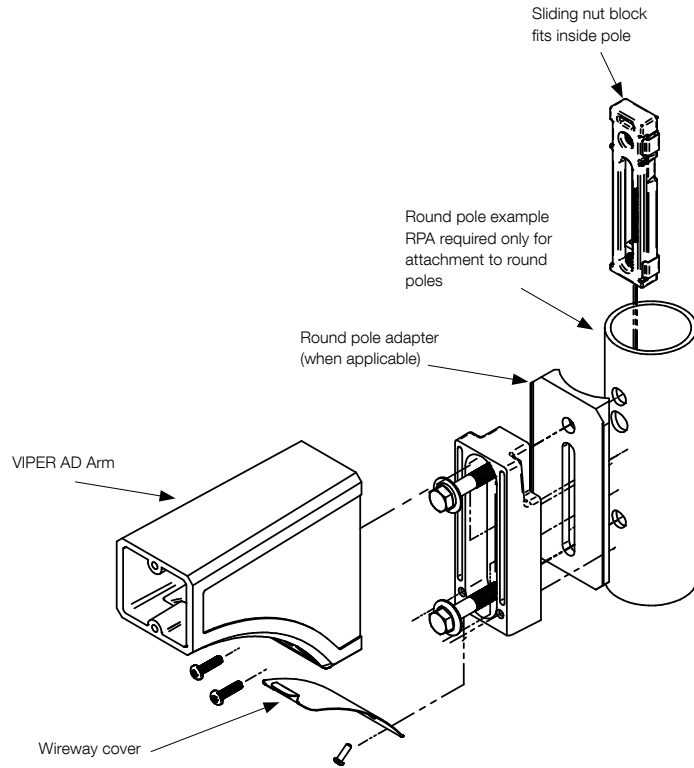


HSS/VP-S/270-LR/XXX
270° shield left or right
(1 shield shown in right orientation)



HSS/VP-S/360/XXX
Full shield (1 shield shown)

AD ARM MOUNTING INSTRUCTIONS



DECORATIVE ARM (AD)

Compatible with pole drill pattern S2

