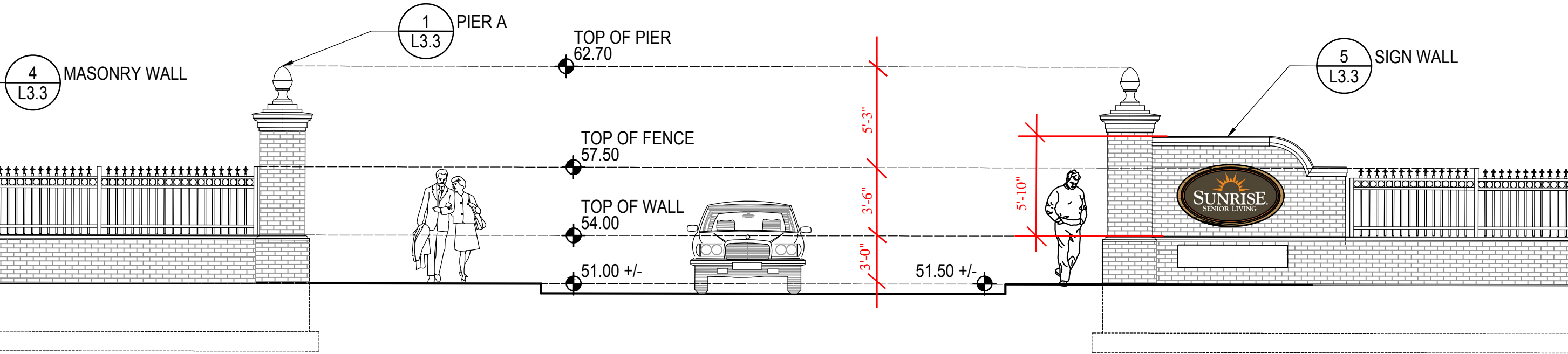


4 SECTION

3/16" = 1'



4 MASONRY WALL
L3.3

1 PIER A
L3.3

TOP OF PIER
62.70

TOP OF FENCE
57.50

TOP OF WALL
54.00

51.00 +/-

5 SIGN WALL
L3.3

51.50 +/-

SUNRISE
SENIOR LIVING