

ROOF GLASS SPECIFICATION

CODE 15

VERTICAL WALL GLASS SPECIFICATION

CODE 7E

UNIT COLOR
TBD BY CUSTOMER

HYBRID 230 SUN & STARS STRAIGHT EAVE DESIGN

GENERAL NOTES

A. FOUNDATIONS

1. ALL SUBSTRUCTURES INCLUDING BUT NOT LIMITED TO FOUNDATIONS & DECKS, SHALL BE DESIGNED BY OTHERS.
2. CONNECTION DETAILS SHOWN ON DRAWINGS INDICATE MINIMUM REQUIREMENTS BASED ON CAPACITY OF FOURS SEASONS COMPONENTS. THE ACTUAL CONNECTIONS TO SUBSTRUCTURE SHALL BE DESIGNED BY OTHERS.

B. EXISTING STRUCTURES

1. THE CAPACITY OF THE EXISTING OR NEW STRUCTURE TO RESIST ALL LOADS IMPOSED BY THE FOUR SEASONS ROOMS SHALL BE EVALUATED BY OTHERS.
2. CONNECTION DETAILS SHOWN ON DRAWINGS INDICATE MINIMUM REQUIREMENTS BASED ON CAPACITY OF FOUR SEASONS COMPONENTS. THE ACTUAL CONNECTIONS TO EXISTING OR NEW STRUCTURES SHALL BE DESIGNED BY OTHERS.

C. STRUCTURAL STEEL

1. ALL STRUCTURAL STEEL CONFORMS TO ASTM A36 OR ASTM A572 GRADE 50.

D. ALUMINUM

1. ALL STRUCTURAL ALUMINUM CONFORMS TO THE MINIMUM REQUIREMENTS OF 6005-T5 FOR ALLOY AND TEMPER EXCEPT AS NOTED BELOW:
 GREAT ROOM 12 RIDGE BEAM.....6005-T5
 CORNER COLUMN.....6063-T6
 H-COLUMN.....6005-T5
2. ALL STRUCTURAL ALUMINUM WORK CONFORMS TO "PART I-A - SPECIFICATIONS FOR ALUMINUM STRUCTURES - ALLOWABLE STRESS DESIGN" OR "PART I-B - SPECIFICATIONS FOR ALUMINUM STRUCTURES - BUILDING LOAD AND RESISTANCE FACTOR DESIGN" OF THE ALUMINUM ASSOCIATION, INC. SEVENTH EDITION, EFFECTIVE JANUARY 2010.
3. IN ALL INSTANCES WHERE ALUMINUM COMES INTO CONTACT WITH STEEL, PROVIDE DIELECTRIC SEPERATION.
4. ALL EXPOSED ALUMINIUM RECEIVES ONE COAT OF PAINT. COLOR TO IS COORDINATED WITH MODEL AVAILABILITY.

E. FASTENERS

1. ALL LAG BOLTS SHALL CONFORM TO ASTM A36.
2. ALL LAG BOLTS SHALL HAVE A MINIMUM EMBEDMENT OF 8x BOLT DIAMETER INTO STRUCTURAL FRAMING (G= .42 MIN.)
3. LAG BOLTS AND SCREWS INTO WOOD FRAMING SHALL BE PROVIDED WITH PILOT HOLES HAVING A DIAMETER NOT GREATER THAN 70 PERCENT OF THE THREAD DIAMETER OF THE BOLT OR SCREW. ALL LAG BOLTS AND SCREWS SHALL BE INSERTED IN PILOT HOLES BY TURNING AND UNDER NO CIRCUMSTANCES BY DRIVING WITH A HAMMER.
4. ALL EXPANSION ANCHORS SHALL BE DESIGNED (BY OTHERS) IN ACCORDANCE WITH THE SPECIFIC MANUFACTURERS REQUIREMENTS AND ALLOWABLE LOADS AND SHALL ONLY BE APPLIED IN CONDITIONS ACCEPTABLE TO MANUFACTURER.
5. ALL FASTENERS CONNECTING ALUMINUM COMPONENTS ARE STAINLESS STEEL TYPE 300 1/8-8 UNLESS OTHERWISE NOTED ON PLANS.

F. GLASS

1. GLASS UNITS CONSISTS OF TWO PANES OF 1/8" THICK TEMPERED GLASS WITH A 5/8" STAINLESS STEEL SPACER BETWEEN PANES WITH AN ARGON FILL.
2. GLASS CONFORMS TO ASTM E1300.
3. ALL CODE 15 ROOF GLASS HAS THE FOLLOWING MINIMUM PROPERTIES:
 VISIBILITY TRANSMITTANCE = 15
 SOLAR TRANSMITTANCE = 7
 ULTRAVIOLET TRANSMITTANCE = 4
 VISIBLE OUTSIDE REFLECTIVITY = 8
 VISIBLE INSIDE REFLECTIVITY = 24
 SHADING COEFFICIENT = 0.14
 SOLAR HEAT GAIN COEFFICIENT = 0.12
 RELATIVE HEAT GAIN = 31
 ASHRAE WINTER U VALUE = 0.25
 ASHRAE WINTER R VALUE = 4.0
4. ALL CODE 7E WALL GLASS HAS THE FOLLOWING MINIMUM PROPERTIES:
 VISIBILITY TRANSMITTANCE = 56
 SOLAR TRANSMITTANCE = 29
 ULTRAVIOLET TRANSMITTANCE = 13
 VISIBLE OUTSIDE REFLECTIVITY = 10
 VISIBLE INSIDE REFLECTIVITY = 17
 SHADING COEFFICIENT = .38
 SOLAR HEAT GAIN COEFFICIENT = .33
 RELATIVE HEAT GAIN = 79
 ASHRAE WINTER U VALUE = .25
 ASHRAE WINTER R VALUE = 4.0

G. SEALANT

1. ALL SEALANT CONFORMS TO TT-5-001543-A, TT-5-002306, ASTM C-920 TYPE 5, GRADE NS, CLASS 25.

H. GASKETS

1. ALL GASKETS ARE CO-EXTRUDED AND ARE NON-MIGRATORY.

I. ROOM SPECIFICS

REFERENCE STANDARDS:
 ASTM E 119
 ASTM E 1300
 ASCE 7-10

- a) WALL GLASS CODE 7E, R-VALUE; 4.0,
 ROOF GLASS CODE 15, R-VALUE; 4.0

J. DEFLECTION CRITERIA

1. ALL MEMBERS MEET OR EXCEEDS THE FOLLOWING MINIMUM DEFLECTION LIMITS:

	LL	DL + LL
a. STRUCTURAL ALUMINUM:	-----	L/120
b. GLASS:	L/175	-----

K. DESIGN LIVE LOADS

1. ALL STRUCTURAL MEMBERS HAVE BEEN DESIGNED FOR FULL DEAD LOADS & LIVE LOADS IN ACCORDANCE WITH THE MASSACHUSETTS STATE BUILDING CODE, 9TH EDITION CMR 780:

1. IMPORTANCE FACTORS: WIND (lw) = 1.0
 SNOW (ls) = 1.0
 SEISMIC (le) = 1.0

2. ROOF LOAD: 55 PSF

3. WIND LOAD: 105 MPH EXPOSURE: B

4. SEISMIC DESIGN CATEGORY: D

5. LOADS AS PER MASSACHUSETTS STATE BUILDING CODE 9TH EDITION CMR 780:

6. LATERAL DESIGN CONTROLLED BY WIND.

L. COORDINATION

1. FOUR SEASONS SUNROOMS IS NOT RESPONSIBLE FOR VERIFYING & COORDINATING THE INFORMATION BETWEEN THESE DRAWINGS & ANY OTHER DRAWINGS USED IN CONJUNCTION WITH THESE DRAWINGS.

M. ABBREVIATIONS

THE FOLLOWING LIST OF ABBREVIATIONS IS NOT INTENDED TO REPRESENT ALL THOSE USED ON THESE DRAWINGS, BUT TO SUPPLEMENT THE MORE COMMON ABBREVIATIONS USED:

1. TYP. - TYPICAL
2. SIM. - SIMILIAR
3. UN - UNLESS OTHERWISE NOTED
4. CONT. - CONTINUOUS

N. CONSTRUCTION SAFETY

1. THESE DRAWINGS DO NOT CONTAIN NECESSARY COMPONENTS FOR SAFETY DURING CONSTRUCTION.
2. THE INSTALLER SHALL PROVIDE ADEQUATE TEMPORARY BRACING, SHORING & GUYING OF FRAMING AGAINST WIND, CONSTRUCTION LOADS & OTHER TEMPORARY FORCES UNTIL NO LONGER REQUIRED FOR THE SUPPORT OF THE FRAMING.

O. PATIO COVER

1. WHEN USED AS A PATIO COVER THE ROOM CONFORMS TO ALL APPLICABLE PROVISIONS OF EITHER:
 a) APPENDIX H OF THE 2015 IRC
 b) APPENDIX I OF THE 2015 IBC

GENERAL NOTES

CLIENT	LIN
ADDRESS 1	100 EXETER STREET
ADDRESS 2	NEWTON, MA. 02465
PHONE	49260
SALES PERSON	PETER

FOUR SEASONS SOLAR PRODUCTS CORP.

5005 VETERANS MEMORIAL HIGHWAY

HOLBROOK, NEW YORK 11741

DESIGNERS AND MANUFACTURER OF FOUR SEASONS SUNROOMS

HYBRID 230 SUN & STARS STRAIGHT EAVE

MODEL: SWM-18DH



REV NO	DATE	BY
--------	------	----

DRAWN BY: ST

REVIEWED BY: ZU

CONTRACT DATE: 10/19/20

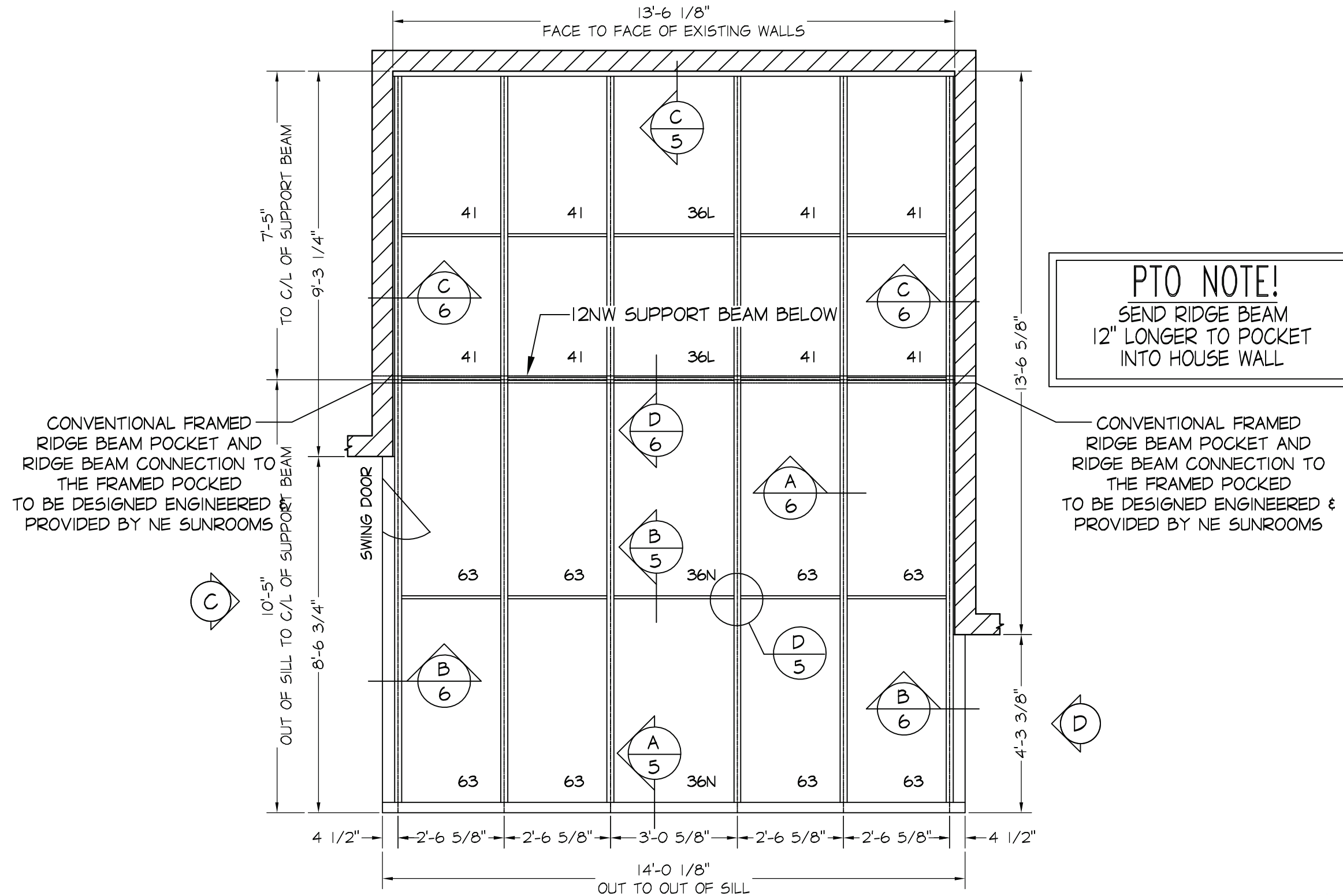
DATE: 10/27/20

JOB #:

LIZ

1 OF 6





B
A
PLAN VIEW
 SCALE: 3/8"=1'-0"

PTO NOTE!
 SEND RIDGE BEAM
 12" LONGER TO POCKET
 INTO HOUSE WALL

CONVENTIONAL FRAMED
 RIDGE BEAM POCKET AND
 RIDGE BEAM CONNECTION TO
 THE FRAMED POCKET
 TO BE DESIGNED ENGINEERED
 PROVIDED BY NE SUNROOMS

CONVENTIONAL FRAMED
 RIDGE BEAM POCKET AND
 RIDGE BEAM CONNECTION TO
 THE FRAMED POCKET
 TO BE DESIGNED ENGINEERED &
 PROVIDED BY NE SUNROOMS



PLAN VIEW

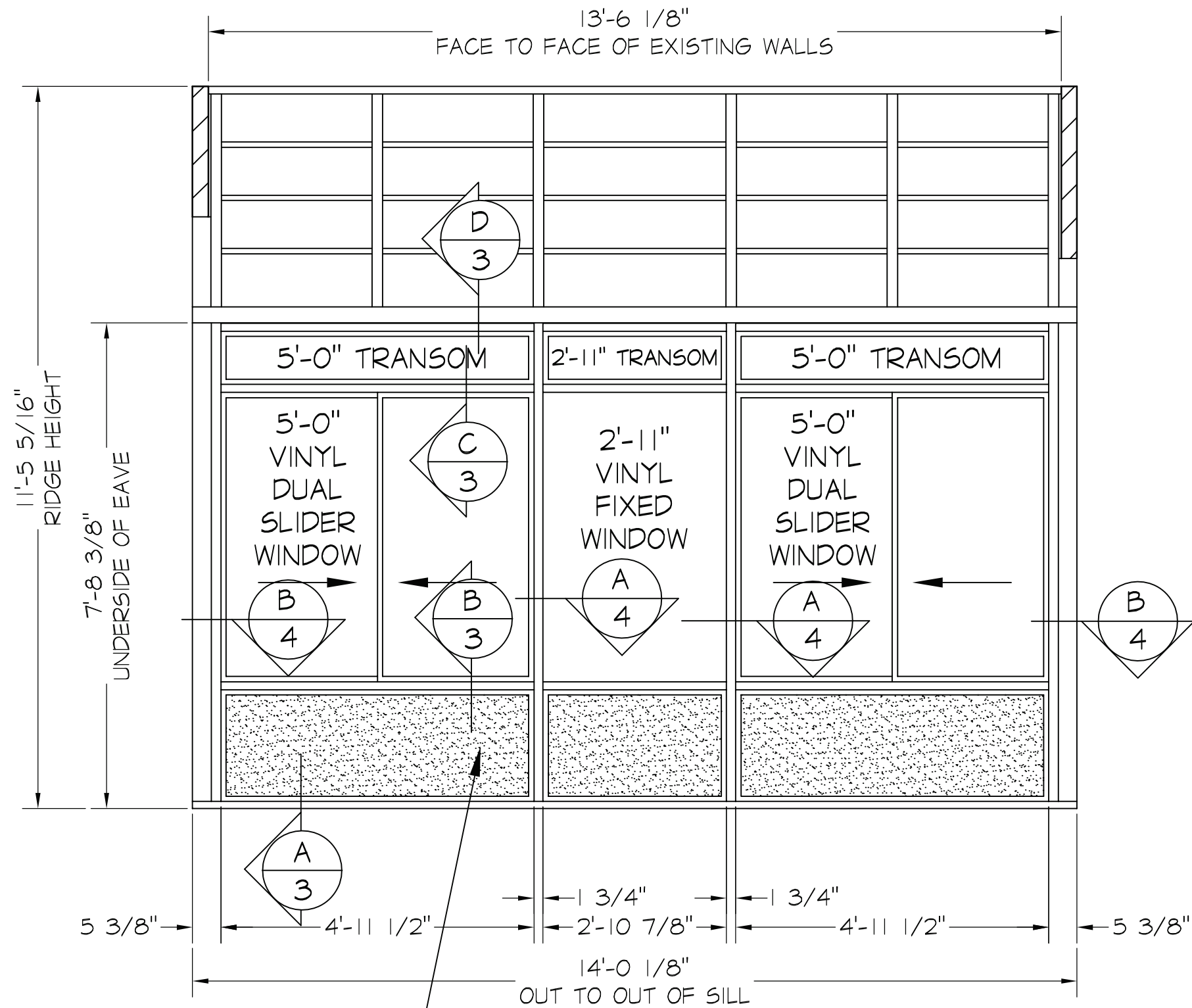
CLIENT	LIN
ADDRESS 1	100 EXETER STREET
ADDRESS 2	NEWTON, MA. 02465
PHONE	49260
SALES PERSON	PETER

FOUR SEASONS SOLAR PRODUCTS CORP.
 5005 VETERANS MEMORIAL HIGHWAY
 HOLBROOK, NEW YORK 11741
 DESIGNERS AND MANUFACTURER OF FOUR SEASONS SUNROOMS
HYBRID 230 SUN & STARS STRAIGHT EAVE
 MODEL: SWN-I-18DI

REV NO	DATE	BY
--------	------	----

DRAWN BY: ST
 REVIEWED BY: ZU
 CONTRACT DATE: 10/19/20
 DATE: 10/27/20
 JOB #:

LIN



RAISED SOLID KICK PANELS

B FRONT ELEVATION
SCALE: 1/2"=1'-0"



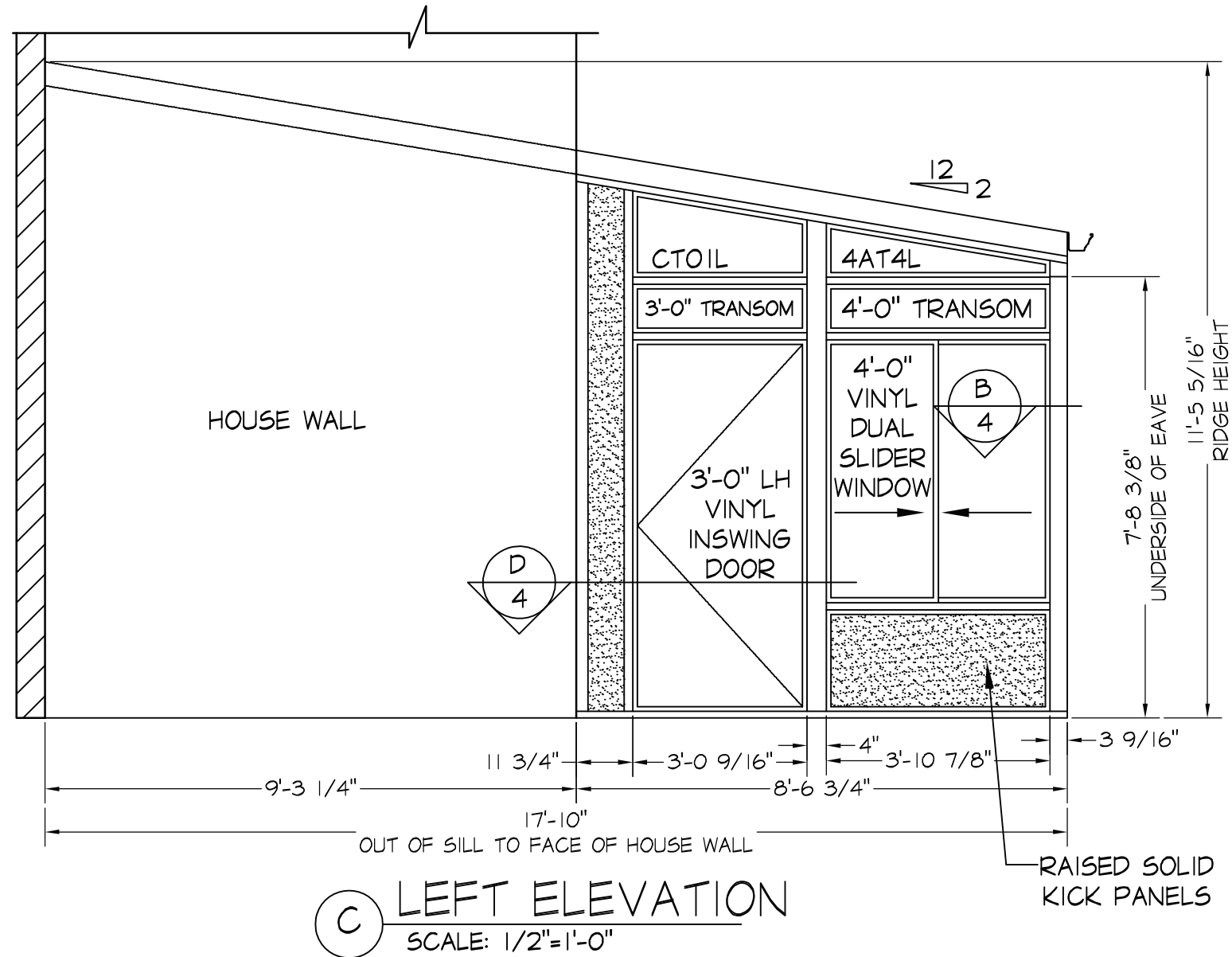
FRONT ELEVATION	
CLIENT	LIN
ADDRESS 1	100 EXETER STREET
ADDRESS 2	NEWTON, MA. 02465
PHONE	49260
SALES PERSON	PETER

FOUR SEASONS SOLAR PRODUCTS CORP.
5005 VETERANS MEMORIAL HIGHWAY
HOLBROOK, NEW YORK 11741
DESIGNERS AND MANUFACTURER OF FOUR SEASONS SUNROOMS
HYBRID 230 SUN & STARS STRAIGHT EAVE
MODEL: SWM-18DH

REV NO	DATE	BY
--------	------	----

DRAWN BY: ST
REVIEWED BY: ZU
CONTRACT DATE: 10/19/20
DATE: 10/27/20

JOB #:
LIN



LEFT ELEVATION

CLIENT	LIN
ADDRESS 1	100 EXETER STREET
ADDRESS 2	NEWTON, MA. 02465
PHONE	49260
SALES PERSON	PETER

FOUR SEASONS SOLAR PRODUCTS CORP.
 5005 VETERANS MEMORIAL HIGHWAY
 HOLBROOK, NEW YORK 11741
 DESIGNERS AND MANUFACTURER OF FOUR SEASONS SUNROOMS

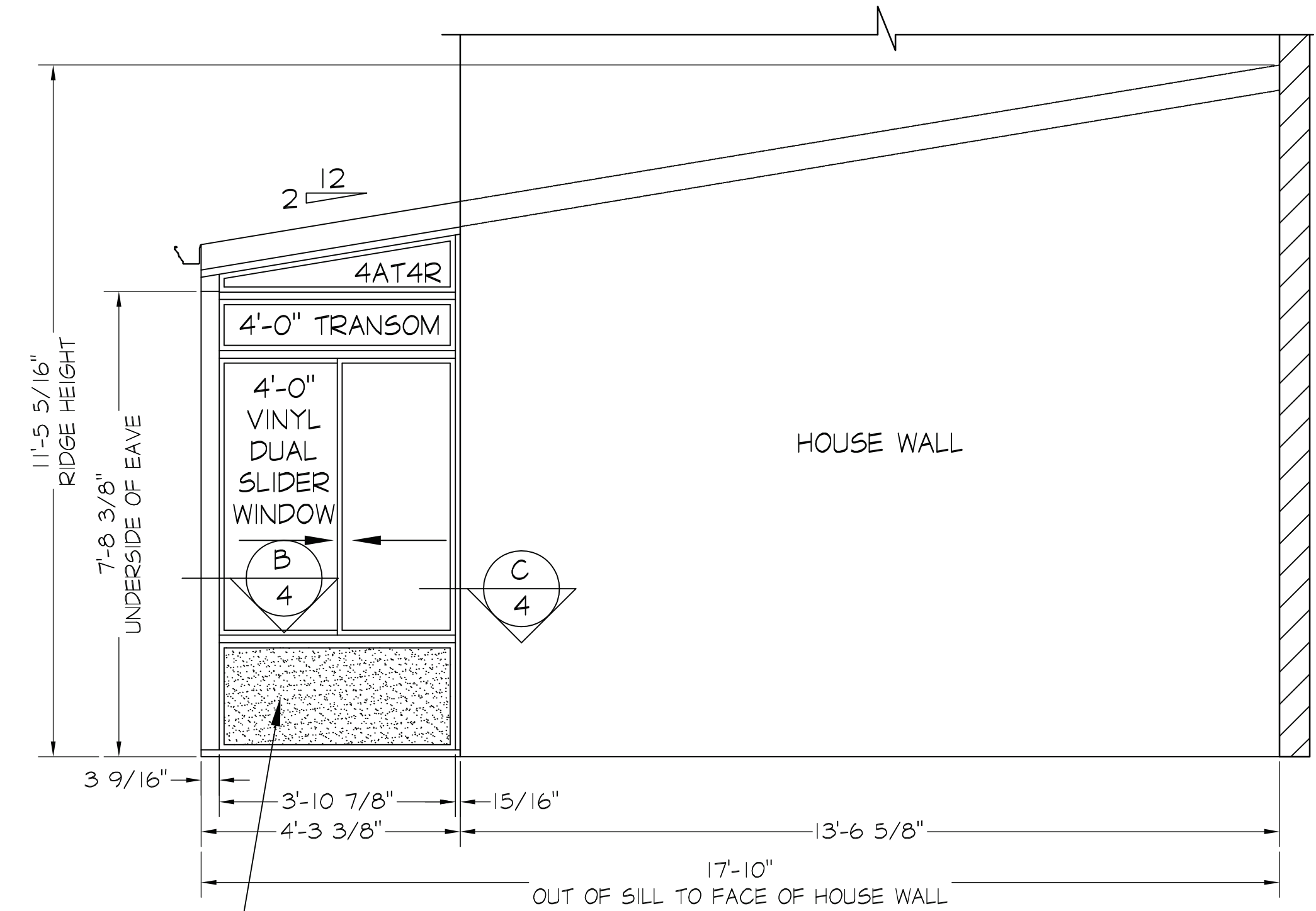
HYBRID 230 SUN & STARS STRAIGHT EAVE
 MODEL: SWN-18DH

REV NO	DATE	BY
--------	------	----

DRAWN BY: ST
 REVIEWED BY: ZU
 CONTRACT DATE: 10/19/20
 DATE: 10/27/20
 JOB #:

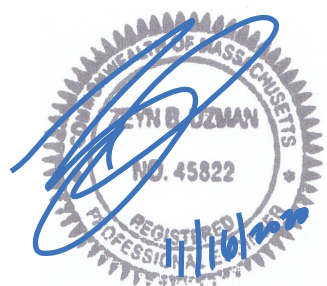
LIN



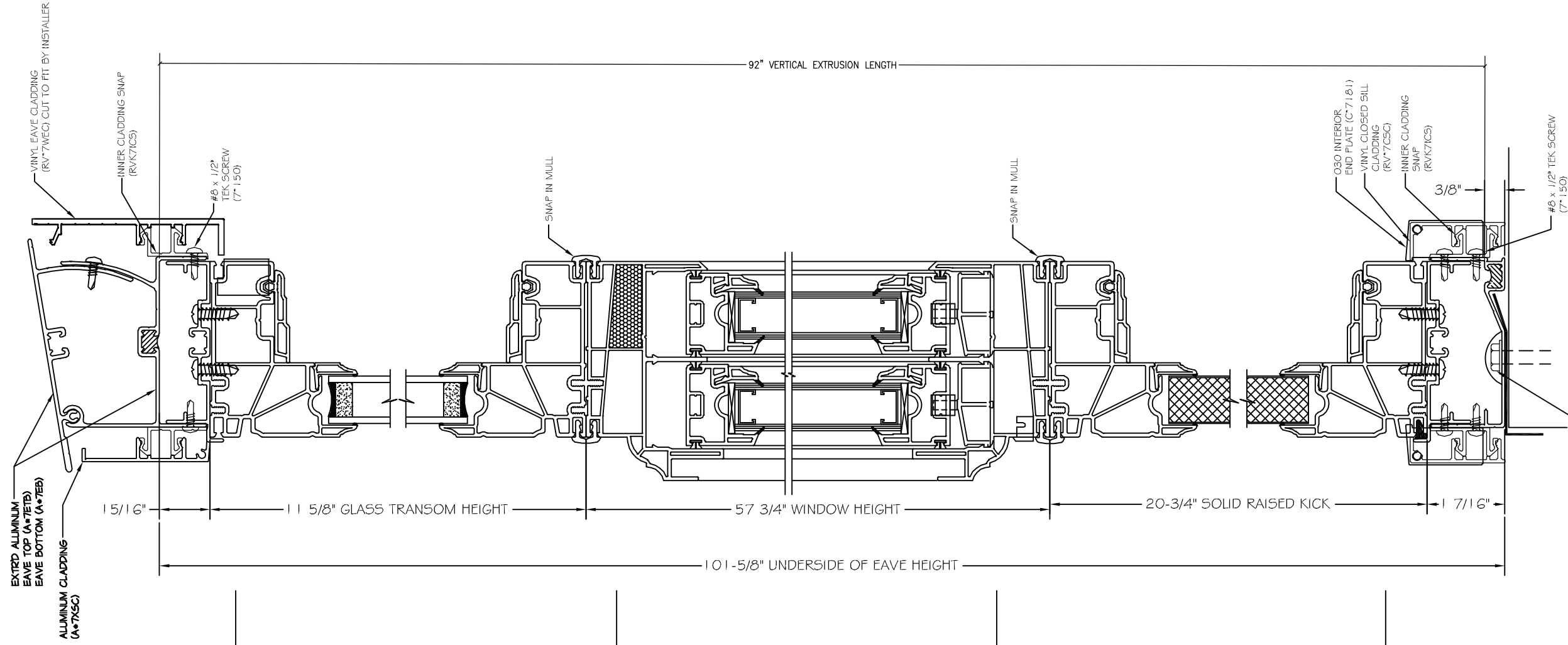


RAISED SOLID KICK PANELS

(D) RIGHT ELEVATION
SCALE: 1/2"=1'-0"



RIGHT ELEVATION		
CLIENT	LIN	
ADDRESS 1	100 EXETER STREET	
ADDRESS 2	NEWTON, MA. 02465	
PHONE	49260	
SALES PERSON	PETER	
FOUR SEASONS SOLAR PRODUCTS CORP. 5005 VETERANS MEMORIAL HIGHWAY HOLBROOK, NEW YORK 11741 DESIGNERS AND MANUFACTURER OF FOUR SEASONS SUNROOMS HYBRID 230 SUN & STARS STRAIGHT EAVE MODEL: SWN-18DH		
REV NO	DATE	BY
DRAWN BY: ST		
REVIEWED BY: ZU		
CONTRACT DATE: 10/19/20		
DATE: 10/27/20		
JOB #:		
LIN		
2D OF 6		



QTY (2) 3/8\"/>

D EAVE
SCALE: 6\"/>

C WINDOW HEAD
SCALE: 6\"/>

B WINDOW SILL
SCALE: 6\"/>

A SILL
SCALE: 6\"/>



DETAILS

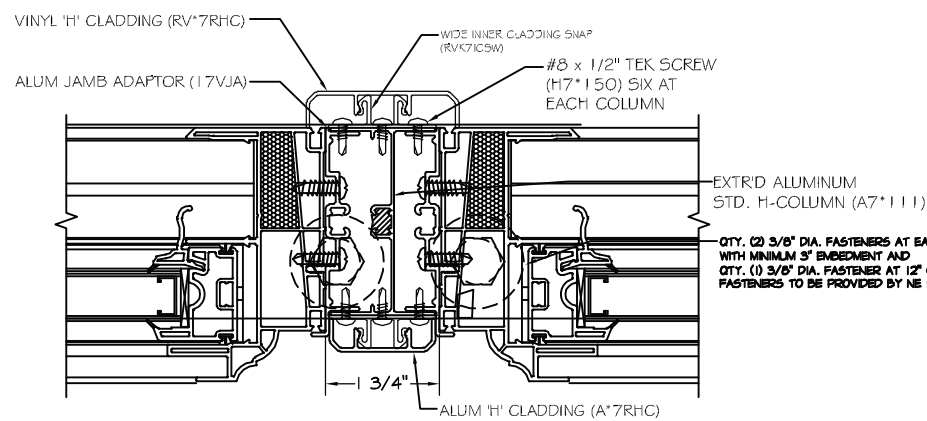
CLIENT	LIN
ADDRESS 1	100 EXETER STREET
ADDRESS 2	NEWTON, MA. 02465
PHONE	49260
SALES PERSON	PETER

FOUR SEASONS SOLAR PRODUCTS CORP.
 5005 VETERANS MEMORIAL HIGHWAY
 HOLBROOK, NEW YORK 11741
 DESIGNERS AND MANUFACTURER OF FOUR SEASONS SUNROOMS
HYBRID 230 SUN & STARS STRAIGHT EAVE
 MODEL: SWN-18DH

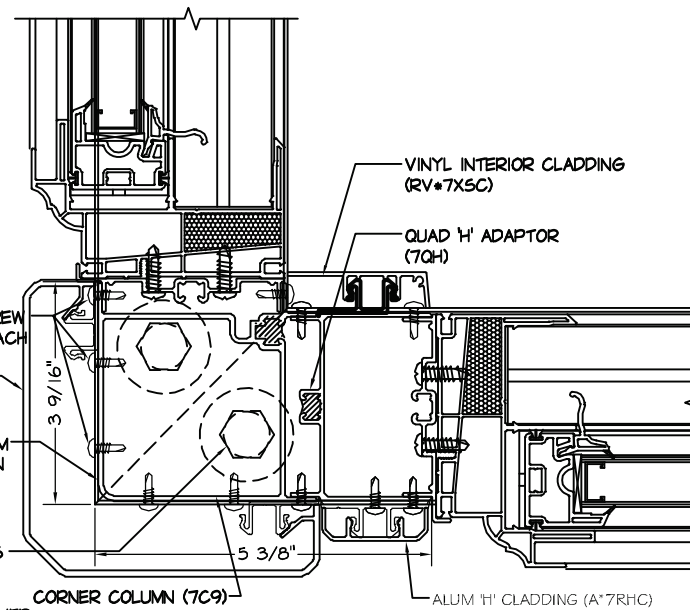
REV NO	DATE	BY
--------	------	----

DRAWN BY: ST
 REVIEWED BY: ZU
 CONTRACT DATE: 10/19/20
 DATE: 10/27/20
 JOB #:

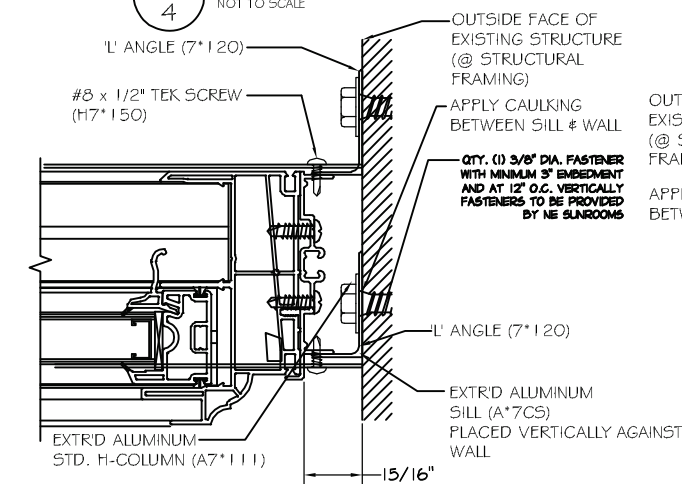
LIZ



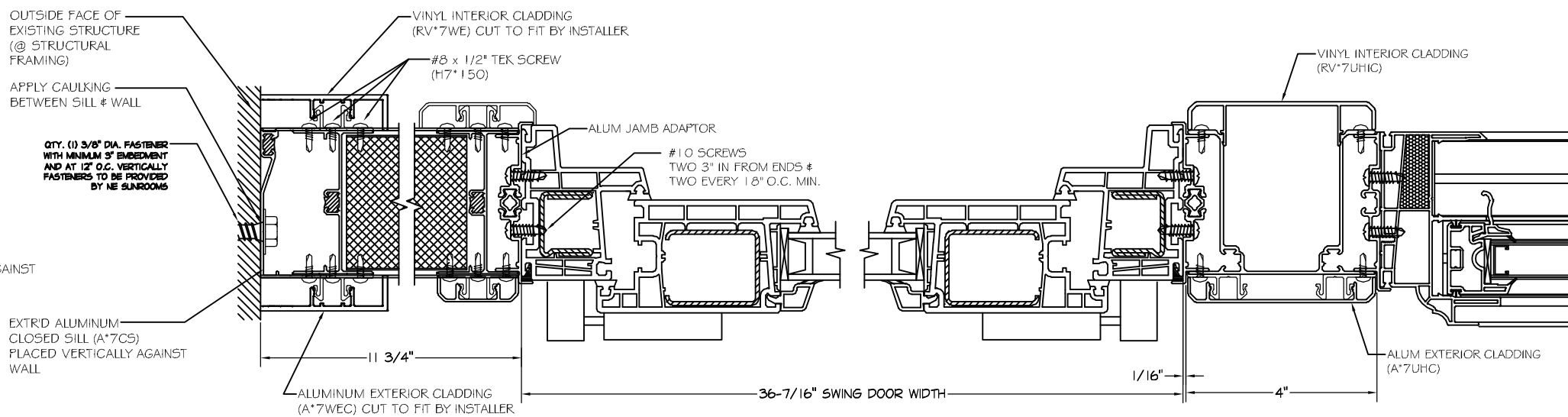
A
4
PLAN POST
NOT TO SCALE



B
4
PLAN CORNER POST
NOT TO SCALE



C
4
PLAN WALL POST
NOT TO SCALE



DETAILS

CLIENT	LIN
ADDRESS 1	100 EXETER STREET
ADDRESS 2	NEWTON, MA. 02465
PHONE	49260
SALES PERSON	PETER

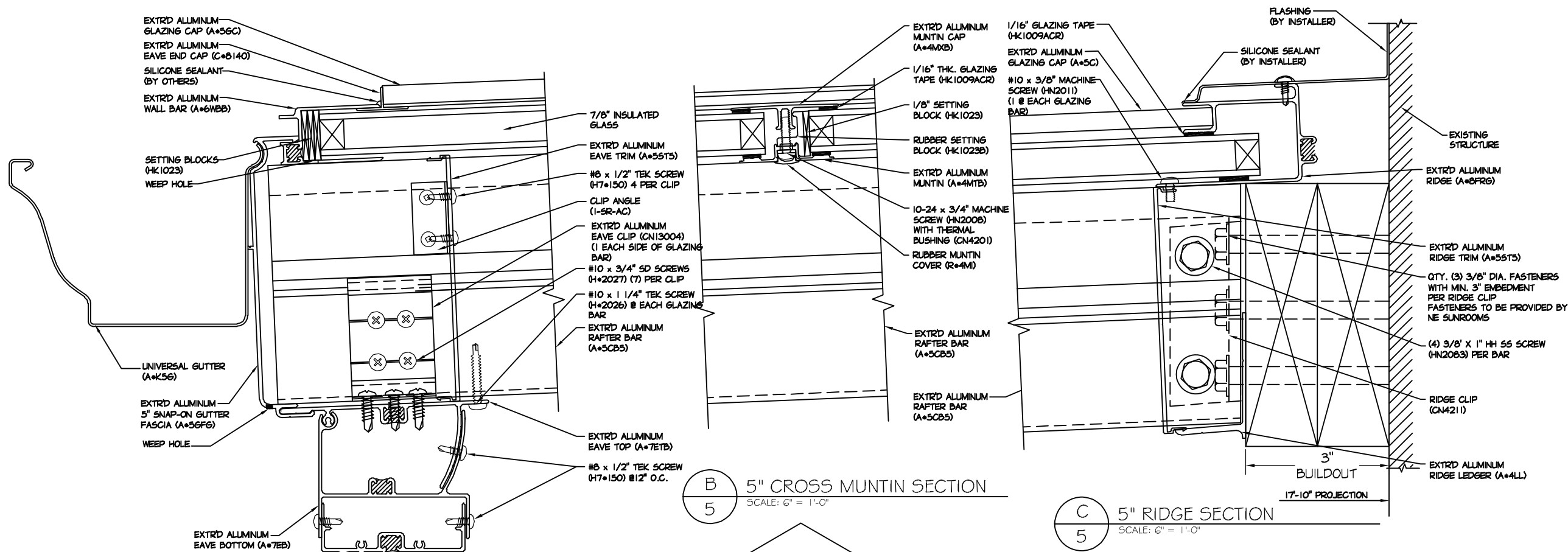
FOUR SEASONS SOLAR PRODUCTS CORP.
 5005 VETERANS MEMORIAL HIGHWAY
 HOLBROOK, NEW YORK 11741
 DESIGNERS AND MANUFACTURER OF FOUR SEASONS SUNROOMS
 HYBRID 230 SUN & STARS STRAIGHT EAVE
 MODEL: SWN-18DH

REV NO	DATE	BY
--------	------	----

DRAWN BY: ST
 REVIEWED BY: ZU
 CONTRACT DATE: 10/19/20
 DATE: 10/27/20
 JOB #:

LIN

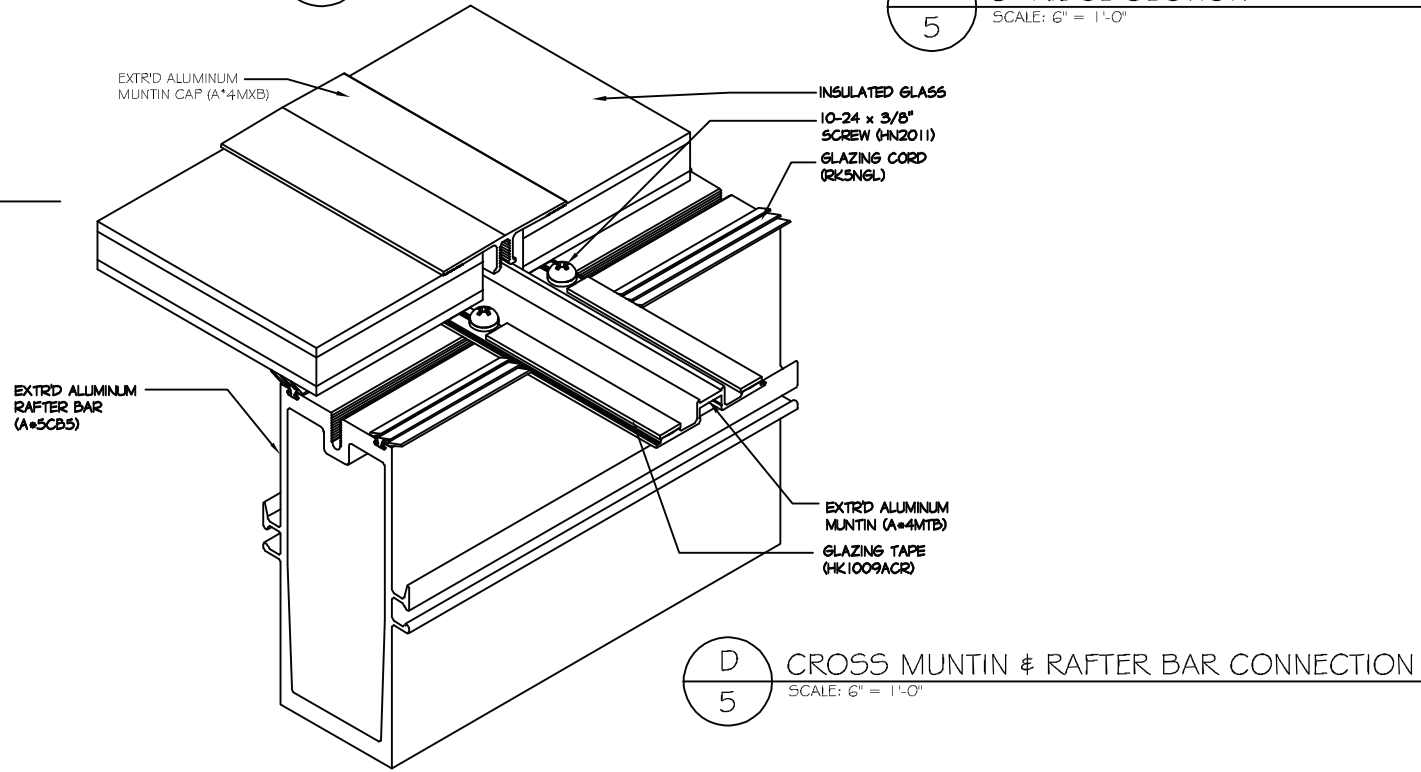




A
5
5" EAVE SECTION
SCALE: 6" = 1'-0"

B
5
5" CROSS MUNTIN SECTION
SCALE: 6" = 1'-0"

C
5
5" RIDGE SECTION
SCALE: 6" = 1'-0"



D
5
CROSS MUNTIN & RAFTER BAR CONNECTION
SCALE: 6" = 1'-0"

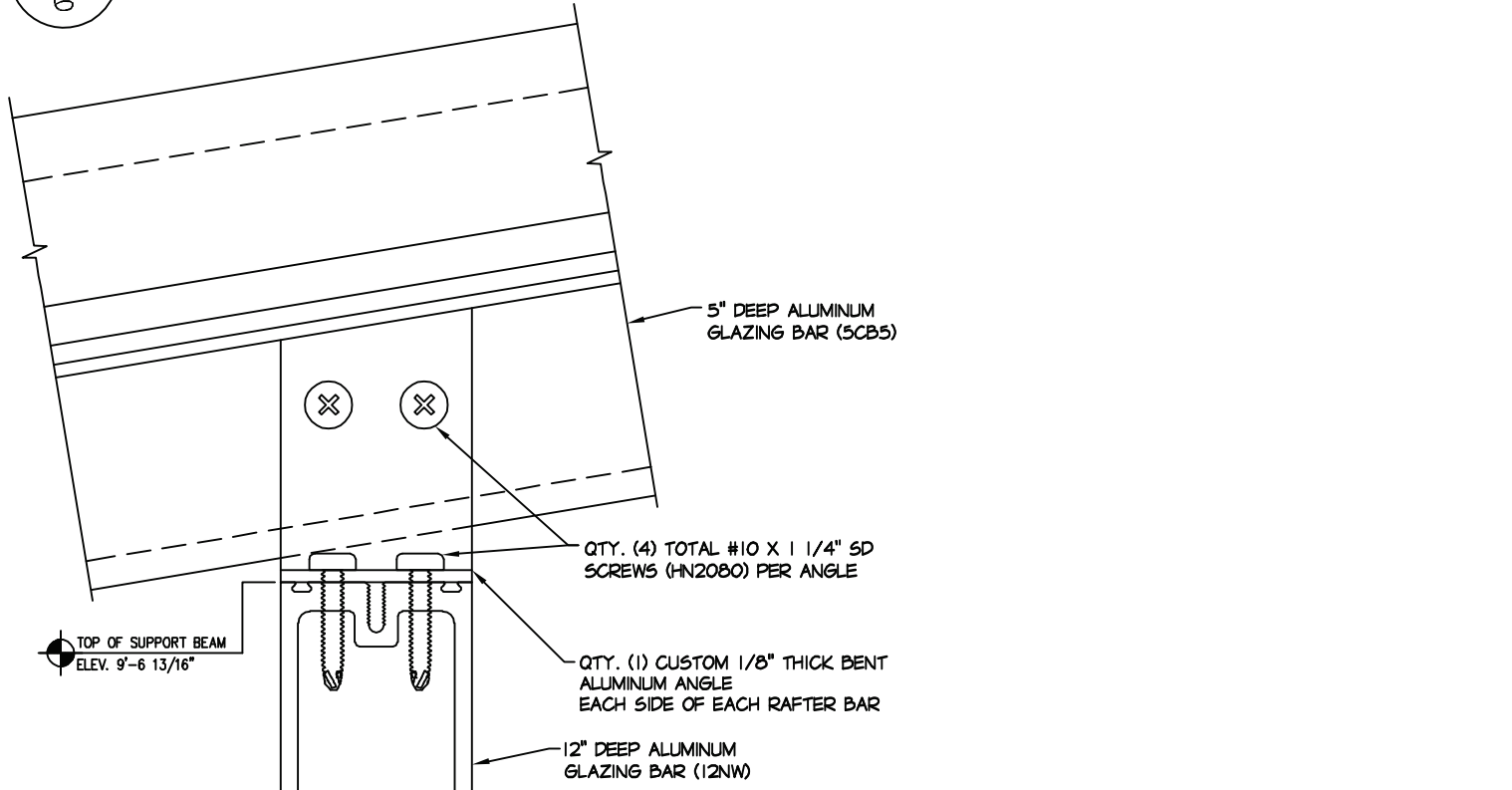
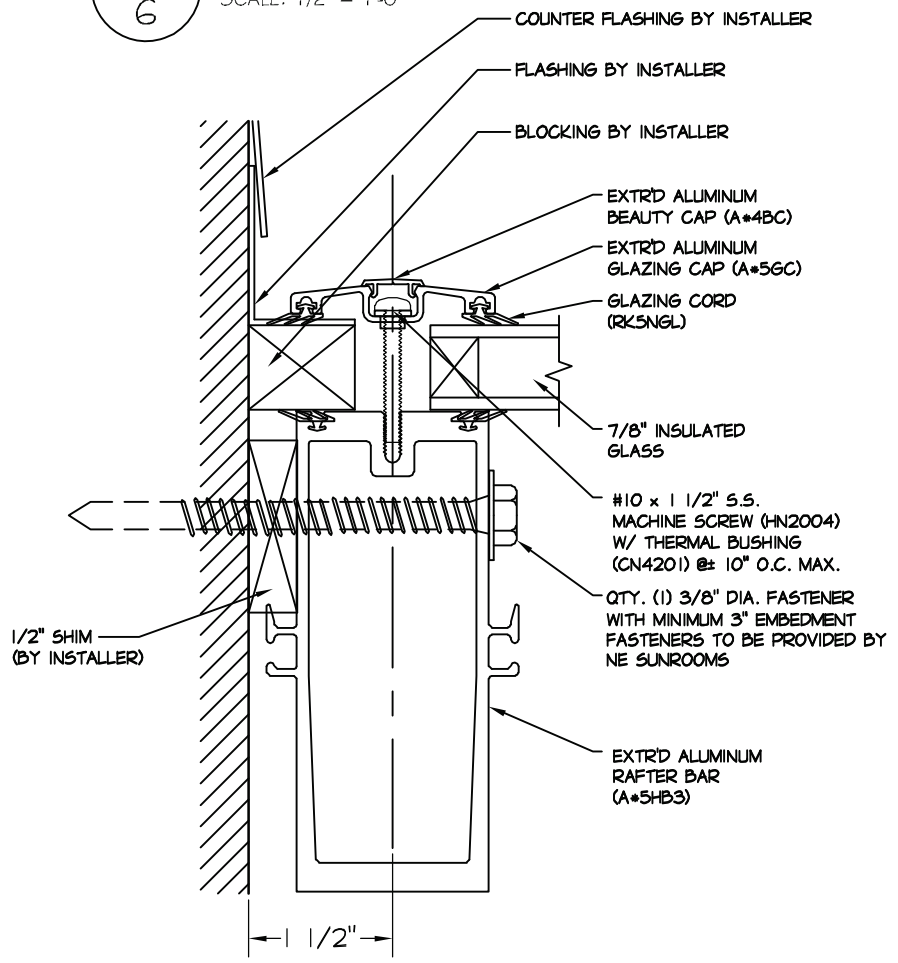
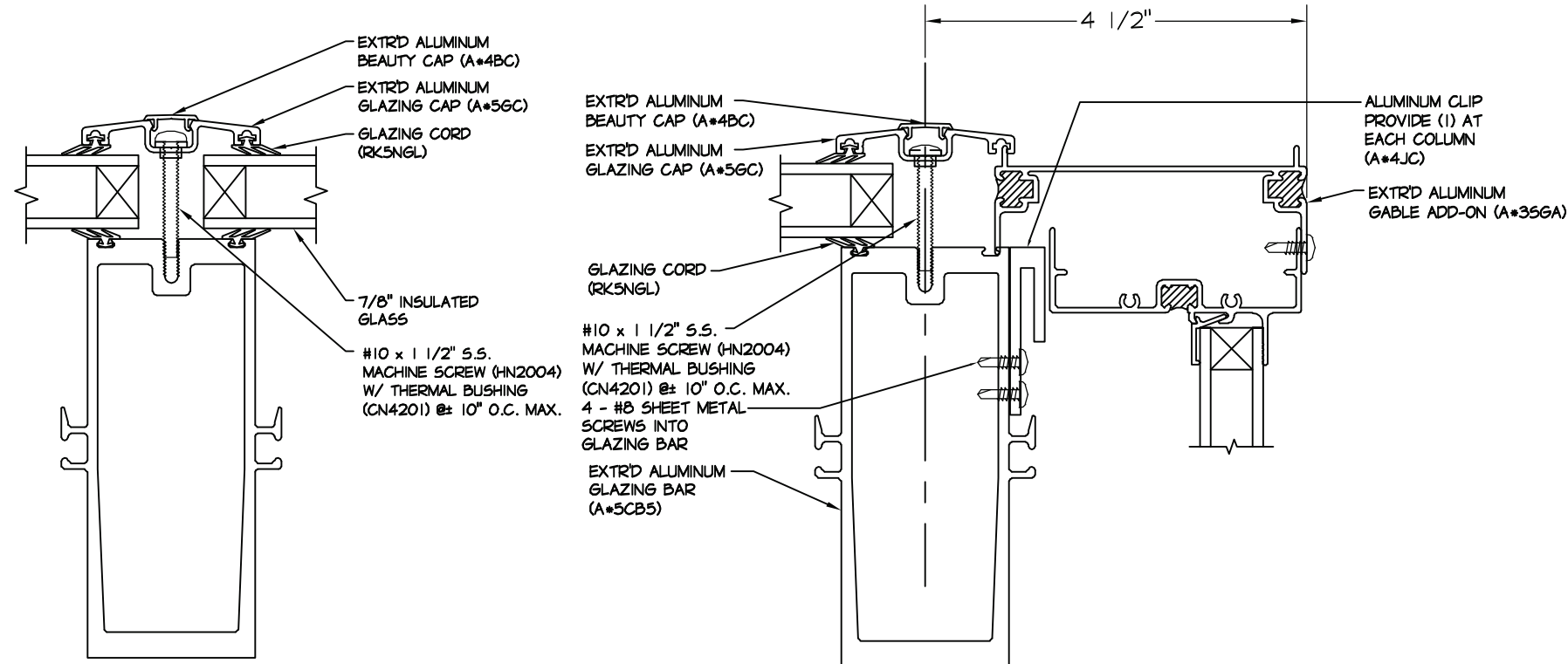
DETAILS

CLIENT	LIN
ADDRESS 1	100 EXETER STREET
ADDRESS 2	NEWTON, MA. 02465
PHONE	49260
SALES PERSON	PETER

FOUR SEASONS SOLAR PRODUCTS CORP.
 5005 VETERANS MEMORIAL HIGHWAY
 HOLBROOK, NEW YORK 11741
 DESIGNERS AND MANUFACTURER OF FOUR SEASONS SUNROOMS
HYBRID 230 SUN & STARS STRAIGHT EAVE
 MODEL: SWN-18DH

REV NO	DATE	BY
DRAWN BY: ST		
REVIEWED BY: ZU		
CONTRACT DATE: 10/19/20		
DATE: 10/27/20		
JOB #:		
LIN		
5	OF	6





DETAILS		CLIENT	LIN
		ADDRESS 1	100 EXETER STREET
FOUR SEASONS SOLAR PRODUCTS CORP.		ADDRESS 2	NEWTON, MA. 02465
5005 VETERANS MEMORIAL HIGHWAY HOLBROOK, NEW YORK 11741		PHONE	49260
DESIGNERS AND MANUFACTURER OF FOUR SEASONS SUNROOMS		SALES PERSON	PETER
SYSTEM 230 SUN & STARS STRAIGHT EAVE		MODEL: SWN-18DH	
REV NO	DATE	BY	
DRAWN BY: ST			
REVIEWED BY: ZU			
CONTRACT DATE: 10/19/20			
DATE: 10/27/20			
JOB #:			
LIN			
6 OF 6			