

Landscape Plans

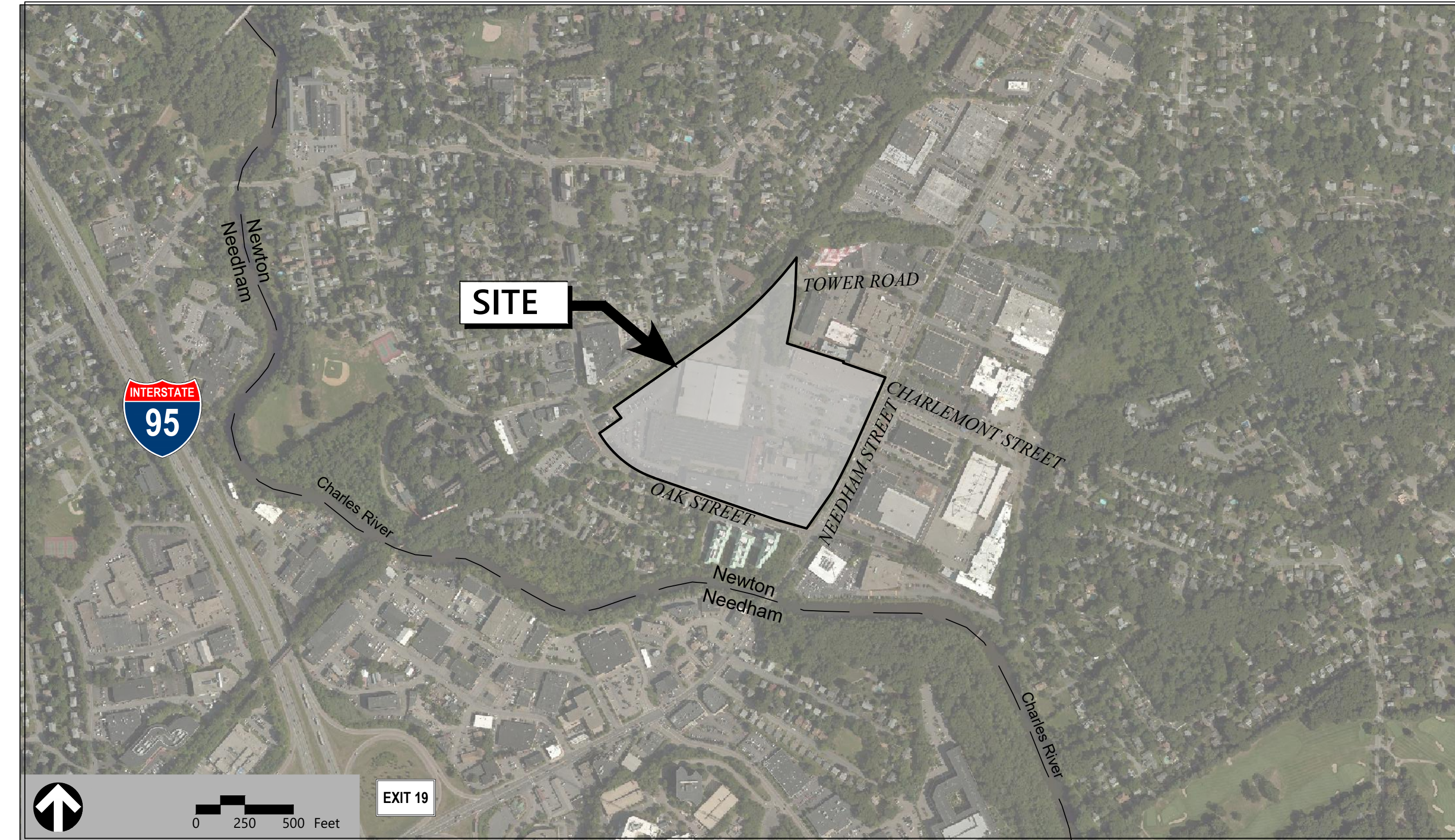
Issued for Notice of Intent
Date Issued April 12, 2022
Latest Issue June 10, 2022

The Northland Newton Development Needham Street/Oak Street Newton, Massachusetts

Owner/Applicant

Northland Oak Street, LLC/
Northland Tower Road Investors, LLC
2150 Washington Street
Newton, MA 02462

Assessor's Map: 51
Lot: 5, 5A, 6



Reference Drawings

No.	Drawing Title	Latest Issue
LG-409.1	SOUTH MEADOW BROOK PARK PLANTING PLAN ENLARGEMENT 1	June 10, 2022
LG-409.2	SOUTH MEADOW BROOK PARK PLANTING PLAN ENLARGEMENT 2	June 10, 2022
LG-409.3	SOUTH MEADOW BROOK PARK PLANTING PLAN ENLARGEMENT 3	June 10, 2022

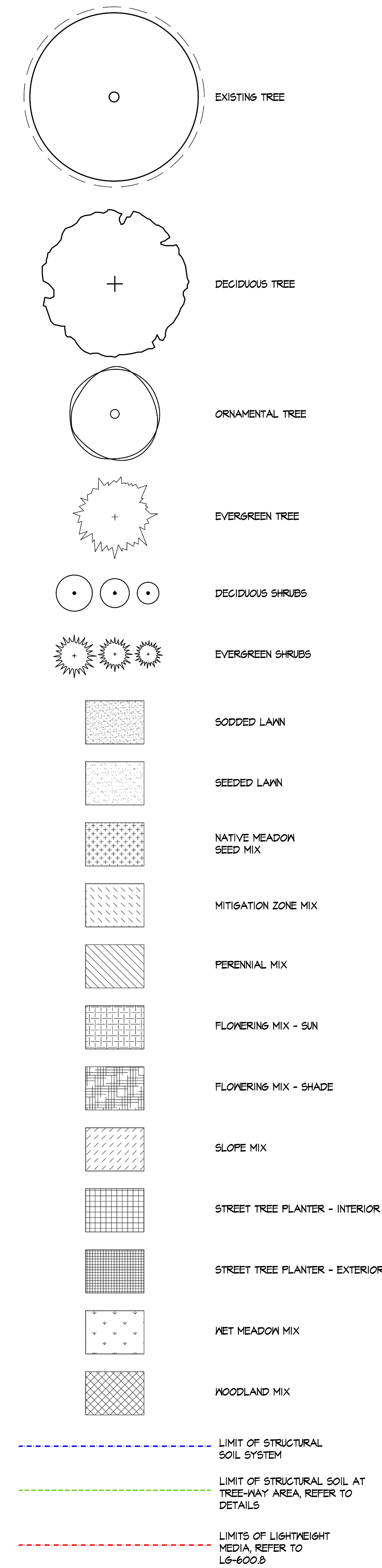


Landscape Architect
Stantec
226 Causeway Street, 6th Floor
Boston, MA
02114-2155

Architect
CUBE 3 Studio
360 Merrimack Street
Building 5, Floor 3
Lawrence, MA 01843

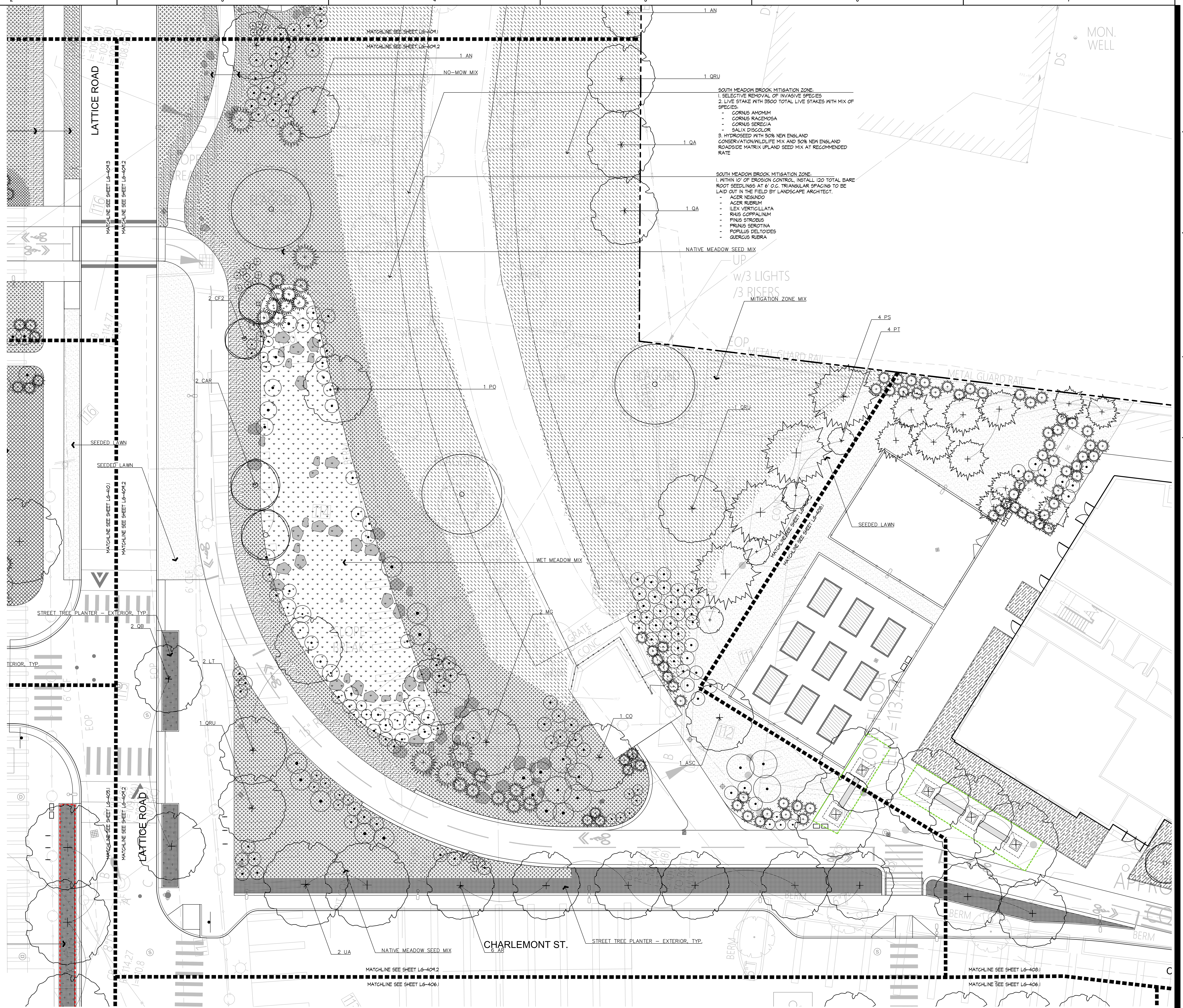
Architect
Stantec Architecture
311 Summer Street
Boston, MA
02210-01723

PLANTING LEGEND



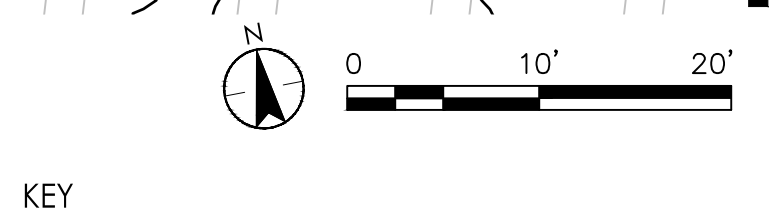
PLANTING NOTES

- SEE SHEET L6-000 FOR NOTES.
- SEE SHEET L6-3043 FOR PLANT SCHEDULE

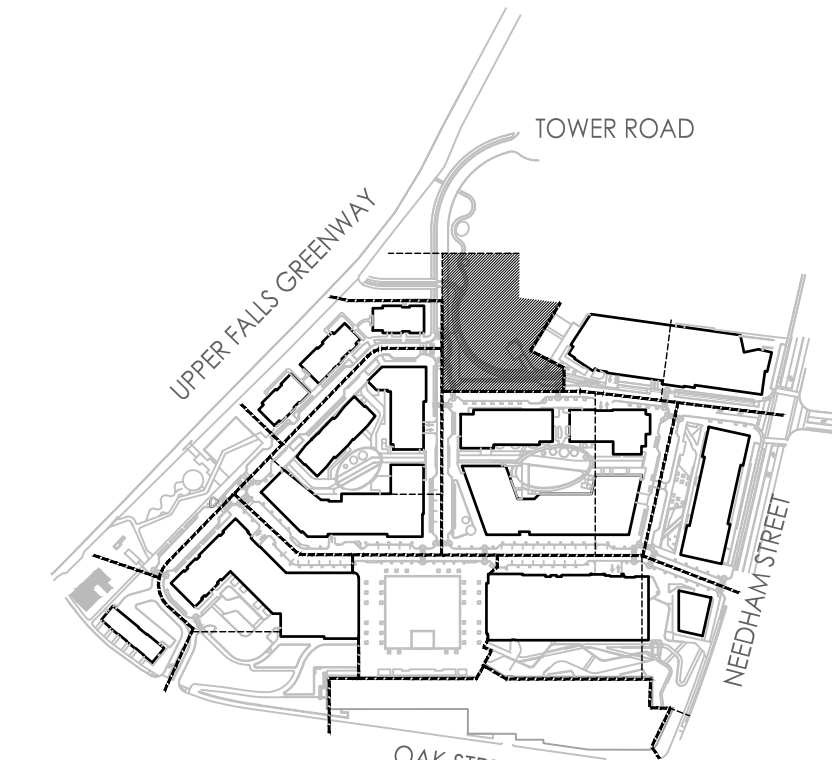


SOUTH MEADOW BROOK MITIGATION ZONE
 1. SELECTIVE REMOVAL OF INVASIVE SPECIES
 2. LIVE STAKE WITH 2800 TOTAL LIVE STAKES WITH MIX OF SPECIES
 - CORNUS AMOMM
 - CORNUS RACEMOSA
 - CORNUS SERICEA
 - SALIX DISCOLOR
 3. HYDRASEED WITH 50% NEW ENGLAND CONSERVATION/WILDLIFE MIX AND 50% NEW ENGLAND ROADSIDE MATRIX UPLAND SEED MIX AT RECOMMENDED RATE

SOUTH MEADOW BROOK MITIGATION ZONE
 1. PATTERNS OF EROSION CONTROL. INSTALL 100 TOTAL BARE ROOT SEEDLINGS AT 6' O.C. TRIANGULAR SPACING TO BE LAID OUT IN THE FIELD BY LANDSCAPE ARCHITECT.
 - ACER NEGUNDO
 - ACER RUBRUM
 - ILEX VERTICILLATA
 - RHUS COPALINUM
 - PINUS STROBUS
 - PRUNUS SEROTINA
 - POPULUS DELTOIDES
 - QUERCUS RUBRA

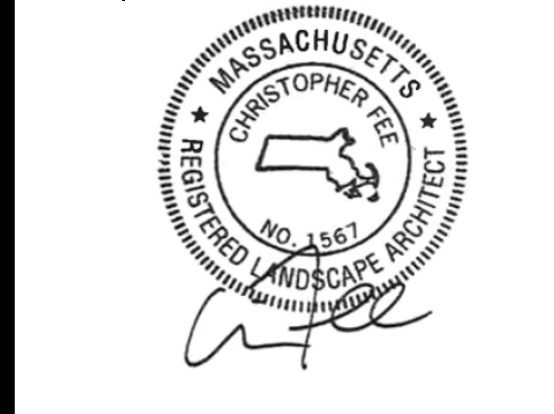


KEY
NOT TO SCALE

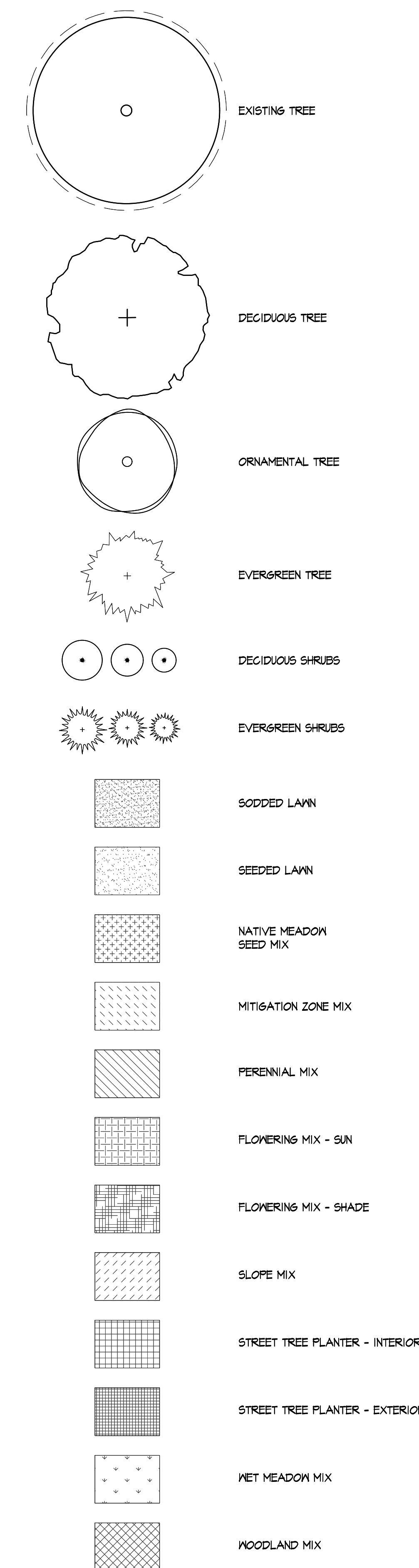


Consultant

NO.	DATE	BY	APP'D	REVISION



PLANTING LEGEND



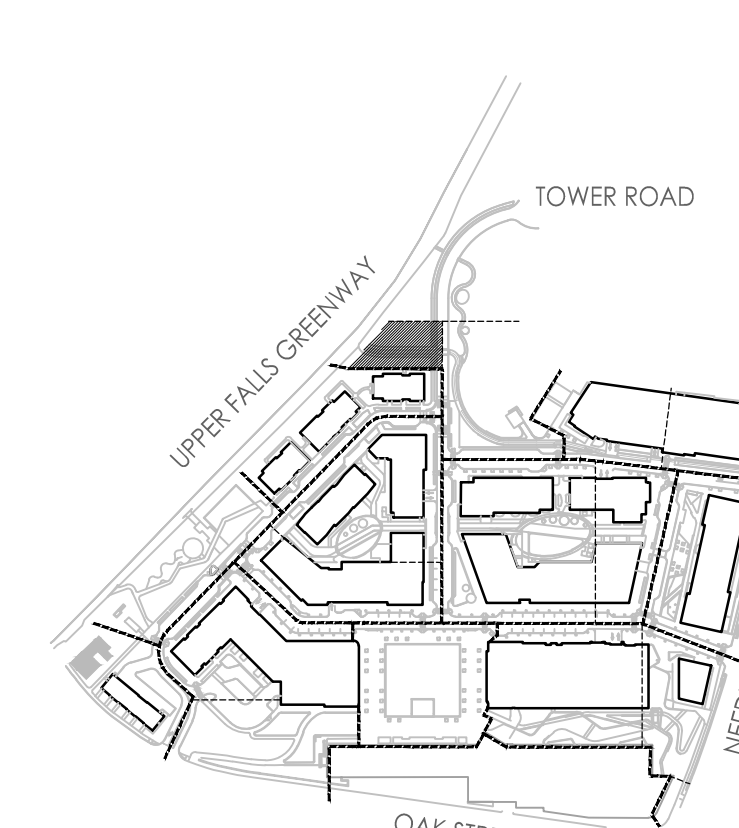
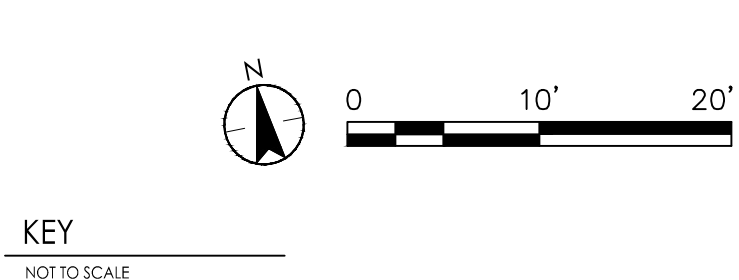
PLANTING NOTES

1. SEE SHEET LG-000 FOR NOTES.

PLANT SCHEDULE 309

TREES	QTY	BOTANICAL NAME	COMMON NAME	SIZE	NOTES	REMARKS
AN	2	ACER NEGUNDO	BOX ELDER	3.5" CAL.		
AR	6	ACER RUBRUM	RED MAPLE	4.5" CAL.	BAB	
ASC	1	ACER SACCHARINUM	SILVER MAPLE	3.5" CAL.	BAB	
BA	1	BETULA ALLEGANIENSIS	YELLOW BIRCH	3.5" CAL.	BAB	
OD	1	CARYA OVATA	SHAGBARK HICKORY	3.5" CAL.	BAB	
COG	1	CELTIS OCCIDENTALIS	COMMON HACKBERRY	4.5" CAL.	BAB	
FG	1	FAGUS GRANDIFOLIA	AMERICAN BEECH	3.5" CAL.	BAB	
GT	1	GLEDITSIA TRIACANTHOS 'SKYLINE'	SKYLINE HONEY LOCUST	5.0" CAL.	BAB	
GD	1	DYMKLAUS DIOICA 'ESPRESSO'	KENTUCKY COFFEETREE	3.5" CAL.	BAB	
LS	1	LIQUIDAMBAR STYRACIFLUA	SWEET GUM	4.5" CAL.	BAB	
LT	4	LIRIODENDRON TULIPIFERA	TULIP POPLAR	4.5" CAL.	BAB	
MG	2	METASQUOJA GYPHOTOBIODODES	DAWN REDWOOD	3.5" CAL.	BAB	
DV	3	DOSTRYA VIRGINIANA	AMERICAN HOPHORNBEAM	4.5" CAL.	BAB	
PD	1	PLATANUS OCCIDENTALIS	AMERICAN SYCAMORE	3.5" CAL.	BAB	
PH	1	POPULUS DELTOIDES	EASTERN COTTONWOOD	3.5" CAL.	BAB	
QA	3	QUERCUS ALBA	WHITE OAK	4.5" CAL.	BAB	
QB	2	QUERCUS BICOLOR	SWAMP WHITE OAK	4.5" CAL.	BAB	
QR	4	QUERCUS RUBRA	RED OAK	4.5" CAL.	BAB	
QA	21	QUERCUS AMERICANA 'PRINCETON'	PRINCETON AMERICAN ELM	5.0" CAL.	BAB	
EVERGREEN TREES	QTY	BOTANICAL NAME	COMMON NAME	SIZE	NOTES	REMARKS
LV	1	LARIX VIRGINIANA	EASTERN RED CEDAR	10" HT.	BAB	
PR	4	PINUS RIGIDA	PITCH PINE	10" HT.	BAB	
PS	6	PINUS STROBUS	WHITE PINE	10" HT.	BAB	
FLOWERING/UNDERSTORY TREES	QTY	BOTANICAL NAME	COMMON NAME	SIZE	NOTES	REMARKS
AP	1	ACER PENNSYLVANICUM	STRIPED MAPLE	10" HT.	BAB	
BN	3	BETULA NIGRA	RIVER BIRCH MULTI-TRUNK	14" HT.	BAB	TRIPLE CLUMP
CB	2	CORNUS CAROLINIANA	AMERICAN HORNBLEM	14" HT.	BAB	MULTI-STEM
CC	2	CERIS CANADENSIS	EASTERN REDBUD	14" HT.	BAB	
CFZ	5	CORNUS FLORIDA	FLOWERING DOGWOOD	14" HT.	BAB	
MF	3	MAKONIA VIRGINIANA	SWEET BAY	14" HT.	BAB	
DA	1	DORYENDRON ARBOREUM	SOAKWOOD TREE	14" HT.	BAB	
PT	4	POPULUS TREMULOIDES	QUAKING ASPEN	2" CAL.		
PW	1	PRUNUS SEROTINA	WILD BLACK CHERRY	2" CAL.		
PR	2	PRUNUS VIRGINIANA	CHOKECHERRY	2" CAL.	BAB	
SHRUBS	QTY	BOTANICAL NAME	COMMON NAME	SIZE	NOTES	REMARKS
AL	5	AMELANCHIER ALNIFOLIA	SERVICEBERRY	6" HT.	BAB	
AL	5	AMELANCHIER LAEVIS	ALLEGHENY SERVICEBERRY	6" HT.	BAB	
AU	22	ARCTOSTAPHYLOS UVA-URSI	KINKKINIK	#1 POT		
AK	7	ARONIA ARBOREOLA	RED CHOKEBERRY	6" HT.	BAB	
AM	12	ARONIA MELANOCARPA	BLACK CHOKEBERRY	6" HT.	BAB	
AS	8	ASIMINA TRILOBA	PAWPAW	6" HT.	BAB	
CAL	20	CLETHRA ALNIFOLIA	SUMMERSWEET	6" HT.	BAB	
COM	60	COMPTONIA PEREGRINA	SWEET FERN	24"		
DR	6	CORNUS RACEMOSA	GRAY DOGWOOD	48"		
OS	12	CORNUS SERICIA	RED TWIG DOGWOOD	6" HT.	BAB	
OS	20	CORNUS SERICIA 'NELSON'	NELSON'S DWARF RED TWIG DOGWOOD	24"		
FOT	11	FOTHERGILLIA MAJOR 'MOUNT AIRY'	MOUNT AIRY FOTHERGILLA	36"	BAB	
HV	10	HAMAMELIS VIRGINIANA	COMMON WITCH HAZEL	48"	BAB	
ILV	28	ILEX VERTICILLATA	WINTERBERRY	6" HT.	BAB	
LB	28	LINDERA BENZON	SPICEBUSH	6" HT.	BAB	
SD	14	SALIX DISCOLOR	PUSSY WILLOW	6" HT.	BAB	
SEZ	9	SAMBUCUS CANADENSIS	AMERICAN ELDERBERRY	24"		
SA	39	SASSAPARILLA	SASSAPARILLA	6" HT.	BAB	
VA	39	VACCINIUM ANGSTROFOLIUM	LOWBUSH BLUEBERRY	24"		
VCO	12	VACCINIUM CORYMBOSUM	HIGHBUSH BLUEBERRY	48"		

EVERGREEN SHRUBS	QTY	BOTANICAL NAME	COMMON NAME	SIZE	NOTES	REMARKS
IG	58	ILEX GLABRA	HOLLY	#5 POT		
JJ	32	JUNIPERUS COMMUNIS	COMMON JUNIPER	#5 POT		
KAL	3	KALMIA LATIFOLIA	MOUNTAIN LAUREL	#5 POT		
MP	62	MYRTICA PENNSYLVANICA	NORTHERN BAYBERRY	#5 POT		
PE	55	PINUS STROBUS 'NANA'	DWARF WHITE PINE	24"		
RHV	6	RHOODODENDRON VISCOSUM	SWAMP AZALEA	#5 POT		
GROUND COVERS	QTY	BOTANICAL NAME	COMMON NAME	SIZE	NOTES	REMARKS
	1,012 SF		SEEDED LAWN			
	1,012 SF					
	26,941 SF		NATIVE MEADOW SEED MIX			
	26,941 SF					
	22,461 SF		MITIGATION ZONE MIX			
	22,461 SF					
	15,536 SF		STREET TREE PLANTER - EXTERIOR, TYR.			
AT	QTY	BOTANICAL NAME	COMMON NAME	SIZE	NOTES	REMARKS
AT	445	ASCLEPIAS TUBEROSA	BUTTERFLY MILKWEED	#1 POT	25% @ 12" o.c.	
PYT	445	PHYCANTHEMUM TENUIFOLIUM	SLENDER MOUNTAIN MINT	#1 POT	25% @ 12" o.c.	
SL	445	SCORRHORUM SCOPARIUM	LITTLE BLUESTEM	#1 POT	25% @ 12" o.c.	
SPH	445	SPOROBOLUS HETEROLEPIS	PRAIRIE DROPSEED	#1 POT	25% @ 12" o.c.	
MEAD	QTY	BOTANICAL NAME	COMMON NAME	SIZE	NOTES	REMARKS
AQC	108	AQUILEGIA CANADENSIS	EASTERN COLUMBINE	#1 POT	6% @ 18" o.c.	
AGI	108	ASCLEPIAS INCARNATA	SWAMP MILKWEED	#2 POT	6% @ 18" o.c.	
CP	243	CAREX PENNSYLVANICA	PENNSYLVANIA SEDGE	#1 POT	6% @ 12" o.c.	
EB	156	EUPATORIUM DUBIUM 'BABY JOE'	BABY JOE JOE-PYE WILD	#2 POT	6% @ 15" o.c.	
GN	51	GALANTHUS NIVALIS	SNOWDROP	BULB	5% @ 24" o.c.	
IV	156	IRIS VERSICOLOR	BLUE FLAG	#2 POT	6% @ 15" o.c.	
LC3	156	LILIUM CANADENSE	CANADA LILY	#2 POT	6% @ 15" o.c.	
LP	130	LILIUM PHILADELPHIUM	WESTERN WOOD LILY	BULB	5% @ 15" o.c.	
LC2	156	LOBELIA CARDINALIS	CARDINAL FLOWER	#2 POT	6% @ 15" o.c.	
MR	156	MULLEBUS RINGENS	MONKEYFLOWER	#2 POT	6% @ 15" o.c.	
MD	108	MONARDA DIDYMA	SEE BALM	#1 POT	6% @ 18" o.c.	
OC	108	OSMUNDA CINNAMOMEA	CINNAMON FERN	#1 POT	6% @ 18" o.c.	
PAV	81	PANDIUM VIRGATUM	SWITCH GRASS	#1 POT	6% @ 24" o.c.	
SC2	196	SCIRPUS CIPERINUS	WOOL GRASS	#2 POT	6% @ 15" o.c.	
SG	243	SOLIDAGO CANADENSIS	GOLDENROD	#1 POT	6% @ 12" o.c.	
VH	156	VERBENA HASTATA	BLUE VERVAIN	#2 POT	6% @ 15" o.c.	
VR	156	VERONICASTRUM VIRGINICUM	CULVER'S ROOT	#2 POT	6% @ 15" o.c.	
WOODLAND MIX	QTY	BOTANICAL NAME	COMMON NAME	SIZE	NOTES	REMARKS
ACR	406	ACTAEA RACEMOSA	BLACK SNAKEROOT	#1 POT	6% @ 15" o.c.	
ACA	635	ASARUM CANADENSE	WILD GINGER	#1 POT	6% @ 12" o.c.	
AF	282	ATHYRIUM FILIX-FEMINA	COMMON LADY FERN	#1 POT	6% @ 18" o.c.	
CP	741	CAREX PENNSYLVANICA	PENNSYLVANIA SEDGE	#1 POT	7% @ 12" o.c.	
OP	406	OSMUNDA CINNAMOMEA	CINNAMON FERN	#1 POT	6% @ 15" o.c.	
ED	474	EURIBIA DIAMORPHA	WHITE WOOD ASTER	#2 POT	7% @ 15" o.c.	
EM	329	EURIBIA MACROPHYLLA	BIGLEAF ASTER	#1 POT	7% @ 18" o.c.	
GAP	406	GALUHERIA PROCUMBENS	WINTERGREEN	#2 POT	6% @ 15" o.c.	
LO	406	LILIUM PHILADELPHIUM	WOOD LILY	#2 POT	6% @ 15" o.c.	
LP	474	LILIUM PHILADELPHIUM	WESTERN WOOD LILY	BULB	7% @ 15" o.c.	
LC2	406	LOBELIA CARDINALIS	CARDINAL FLOWER	#2 POT	6% @ 15" o.c.	
OC	282	OSMUNDA CINNAMOMEA	CINNAMON FERN	#1 POT	6% @ 18" o.c.	
PD	282	PHLOX DIVARICATA	WOODLAND PHLOX	#1 POT	6% @ 18" o.c.	
TIC	635	TIARELLA CORDIFOLIA	FOAMFLOWER	#1 POT	6% @ 12" o.c.	
TX	406	TIARELLA X 'TIGER STRIPE'	TIGER STRIPE FOAM FLOWER	#2 POT	6% @ 15" o.c.	
TR	406	TRILLIUM GRANDIFLORUM	LARGE WHITE TRILLIUM	#2 POT	6% @ 15" o.c.	
TO2	5,004 SF		NO-MOW MIX			
	5,004 SF					



Stantec
 Stantec Planning and Landscape Architecture P.C.
 225 Chestnut Street
 Philadelphia, PA 19106
 Tel: (817) 528-1100 www.stantec.com

Consultant

NO.	DATE	BY	APP'D	REVISION
1				
2				
3				
4				
5				
6				
7				
8				
9				
10				
11				
12				
13				
14				
15				
16				
17				
18				
19				
20				
21				
22				
23				
24				
25				
26				
27				
28				
29				
30				
31				
32				
33				
34				
35				
36				
37				
38				
39				
40				
41				
42				
43				
44				
45				
46				
47				
48				
49				
50				
51				
52				
53				
54				
55				
56				
57				
58				
59				
60				
61				
62				
63				
64				
65				
66				
67				
68				
69				
70				
71				
72				
73				
74				
75				
76				
77				
78				
79				
80				
81				
82				
83				
84				
85				
86				
87				
88				
89				
90				
91				
92				
93				
94				
95				
96				
97				
98				
99				
100				

Permit/Seal

Client/Project
NORTHLAND
 The Northland Newton
 Development Site
 Needham Street & Oak Street
 Newton MA 02464

Project No.: 210801802
 No Matter MA
 Scale: As indicated
 Date: 2022.04.10
 Drawn: CHZ
 Checked: YYYMMDD

Title
**SOUTH MEADOW
 BROOK PARK PLANTING
 PLAN ENLARGEMENT 3**

Revision:
 Drawing No.
LG-409.3